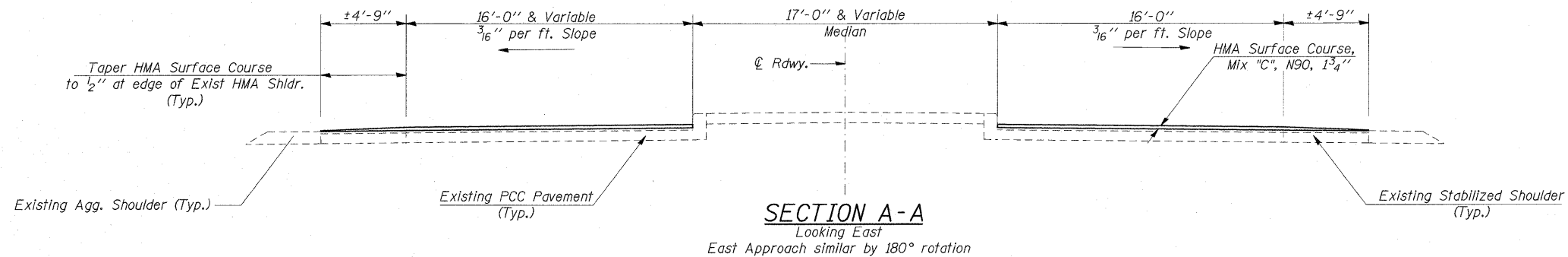
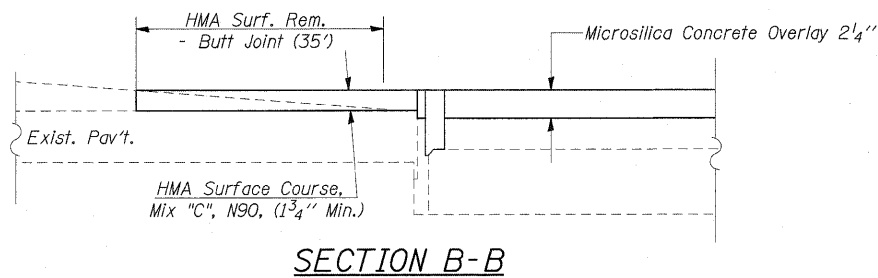
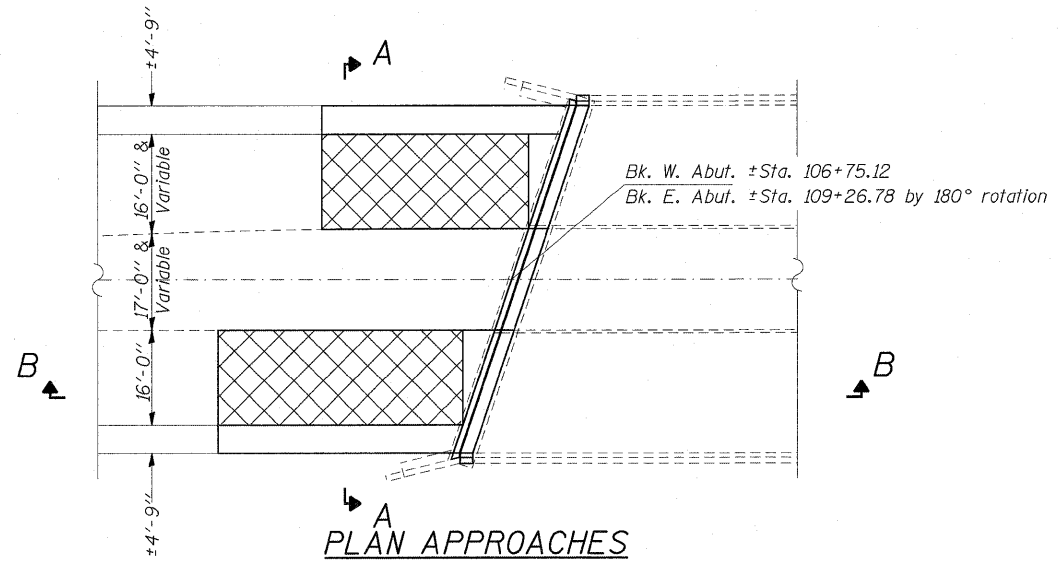


HMA Surface Removal - Butt Joint



TYPICAL SECTION AND BUTT JOINT DETAILS
 SN 077-0027
 PULASKI COUNTY

FILE NAME =	USER NAME = kelleykd	DESIGNED -	REVISED -
et\pwwork\FWIDOT\KELLEYKD\dms47925\044	2031-bsmar.tdgn	DRAWN -	REVISED -
		CHECKED -	REVISED -
		DATE -	REVISED -

STATE OF ILLINOIS
DEPARTMENT OF TRANSPORTATION

TYPICAL SECTION AND BUTT JOINT DETAILS			
SN 077-0027			
SCALE:	SHEET NO. OF SHEETS	STA. TO STA.	

F.A.I. RTE.	SECTION	COUNTY	TOTAL SHEETS	SHEET NO.
24/57	D9 BSMART FY09-1	JOHNSON/PULASKI	20	5
FED. ROAD DIST. NO. ILLINOIS FED. AID PROJECT			CONTRACT NO. 78095	