

STATE OF ILLINOIS  
 DEPARTMENT OF TRANSPORTATION  
 DIVISION OF HIGHWAYS  
**PROPOSED  
 CONTRACT MAINTENANCE**

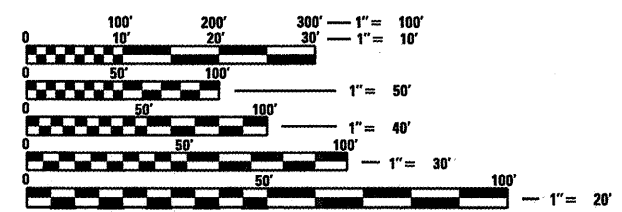
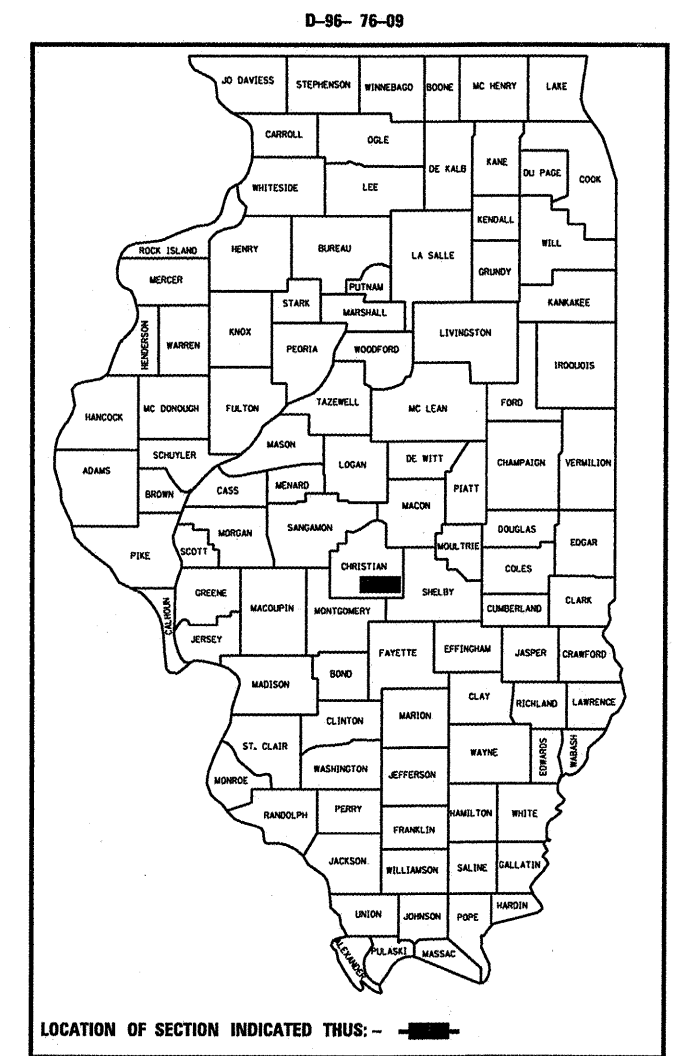
F.A.P. RTE.	SECTION	COUNTY	TOTAL SHEETS	SHEET NO.
325	43RS-6	ILLINOIS	7	1
FED. ROAD DIST. NO.	ILLINOIS		CONTRACT NO. 72C81	

FOR INDEX OF SHEETS, SEE SHEET NO. 2

FAP322 ROUTE (US 51, IL 16)  
 SECTION 43RS-6

RESURFACING (SMART)  
 CHRISTIAN COUNTY

C-96-076-09  
 R 1 E

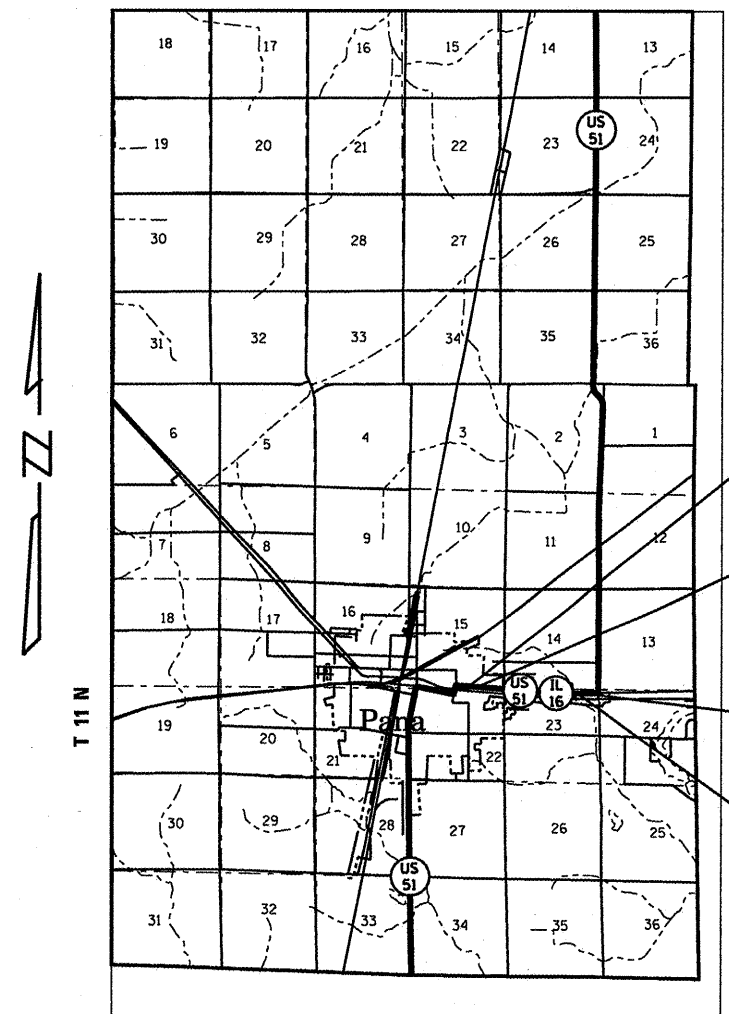


FULL SIZE PLANS HAVE BEEN PREPARED USING STANDARD ENGINEERING SCALES. REDUCED SIZED PLANS WILL NOT CONFORM TO STANDARD SCALES. IN MAKING MEASUREMENTS ON REDUCED PLANS, THE ABOVE SCALES MAY BE USED.

J.U.L.I.E.  
 JOINT UTILITY LOCATION INFORMATION FOR EXCAVATION  
 1-800-892-0123  
 OR 811

PLAN AND CONTRACT TECHNICIAN  
 TIMOTHY SHARP - (217)782-7743

CONTRACT NO. 72C81



BEGIN PROJECT  
 STA. 33 + 75.00

STATION EQUATION  
 39 + 57.12bk = 0 + 00.00ah

END PROJECT  
 STA 54 + 82.00

BRIDGE OMISSION  
 STA. 52 + 20.52  
 TO 52 + 43.86

NET LENGTH = 6,064.14 FT. = 1.149 MILE

STATE OF ILLINOIS  
 DEPARTMENT OF TRANSPORTATION  
 DIVISION OF HIGHWAYS

SUBMITTED MARCH 30 2009  
Robert Z. Dinkell  
 DEPUTY DIRECTOR OF HIGHWAYS, REGION ENGINEER

May 8, 2009  
Charles J. Ingersoll  
 ENGINEER OF DESIGN AND ENVIRONMENT

May 8, 2009  
Christine M. Reed  
 DIRECTOR OF HIGHWAYS, CHIEF ENGINEER

**PRINTED BY THE AUTHORITY  
 OF THE STATE OF ILLINOIS**

INDEX

- 1 COVER
- 2 INDEX/STANDARDS/SIGNATURES
- 3-4 QUANTITIES
- 5 TYPICAL SECTIONS
- 6 SCHEDULES
- 7 BUTT JOINT DETAIL

STANDARDS

- 701001-02
- 701006-03
- 701011-02
- 701201-03
- 701301-03
- 701306-02
- 701311-03
- 701501-05
- 701901-01
- 780001-01
- 781001-03

<b>STATE OF ILLINOIS DEPARTMENT OF TRANSPORTATION DIVISION OF HIGHWAYS DISTRICT 6</b>	
EXAMINED	April 2 20 09 <i>Sam J. Hansen</i> ENGINEER OF OPERATIONS
EXAMINED	April 2 20 09 <i>Sam J. Hansen</i> ENGINEER OF PROGRAM IMPLEMENTATION
EXAMINED	March 30 20 09 <i>ARMLL</i> ENGINEER OF PROGRAM DEVELOPMENT

INDEX/STANDARDS/SIGNATURES  
FAP 322 (US 51, IL-16)  
SECTION 43RS-6  
CHRISTIAN COUNTY

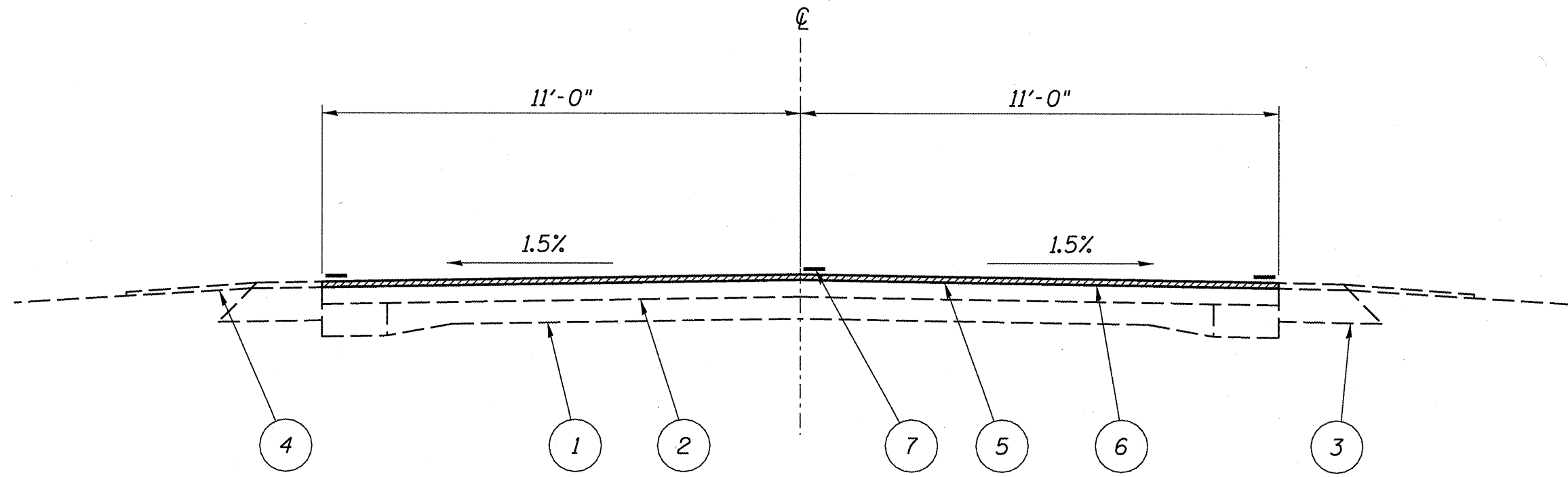
S U M M A R Y O F Q U A N T I T I E S

URBAN

CODE NO.	ITEM	UNIT	100% STATE
			I000
			TOTAL QTY
40600200	BITUMINOUS MATERIALS (PRIME COAT)	TON	5.6
40600300	AGGREGATE (PRIME COAT)	TON	29.5
40600895	CONSTRUCTING TEST STRIP	EACH	1
40600990	TEMPORARY RAMP	SQ YD	49
40603540	POLYMERIZED HOT-MIX ASPHALT SURFACE COURSE, MIX D, N70	TON	1,241
44000155	HOT-MIX ASPHALT SURFACE REMOVAL 1 1/2"	SQ YD	14,767
67100100	MOBILIZATION	L SUM	1
70100450	TRAFFIC CONTROL AND PROTECTION, STANDARD 701201	L SUM	1
70100460	TRAFFIC CONTROL AND PROTECTION, STANDARD 701306	L SUM	1
70102620	TRAFFIC CONTROL AND PROTECTION, STANDARD 701501	L SUM	1
70300100	SHORT-TERM PAVEMENT MARKING	FOOT	1,208
70300230	TEMPORARY PAVEMENT MARKING - LINE 5"	FOOT	13,592

QUANTITIES  
FAP 322 (US 51, IL 16)  
SECTION 43RS-6  
CHRISTIAN COUNTY





STA. 33+75 TO 54+82  
STA. EQ. 39+57.12bk=0+00.00ch  
BRIDGE OMISSION 52+20.52 TO 52+43.86

LEGEND

- 1 - EXIST. P.C.C. PAVEMENT 9-6-9
- 2 - EXIST. H.M.A. SURFACE 6"
- 3 - EXIST. H.M.A. SHOULDERS
- 4 - EXIST. AGGREGATE SHOULDERS
- 5 - PROP. H.M.A. SURFACE REMOVAL 1 1/2"
- 6 - PROP. POLY H.M.A. SURFACE COURSE, MIX D, N70, 1 1/2"
- 7 - PROP. THERMOPLASTIC PAVEMENT MARKING -LINE 5"

TYPICAL SECTIONS  
FAP 322 (US 51, IL 16)  
SECTION 43RS-6  
CHRISTIAN COUNTY

PAVEMENT MARKING SCHEDULE			
STATION	TYPE	THERMO. PAV'T.	THERMO. PAV'T.
		MARK. - LINE 5"	MARK. - LINE 5"
		WHITE	YELLOW
33+75 TO 54+82*/**	EDGE LINE	12,082 FT	
33+75 TO 54+82*/**	SKIP DASH		1,510 FT
TOTALS		12,082 FT	1,510 FT

\*STA. EQ. 39+57.15bk=0+00.00ah

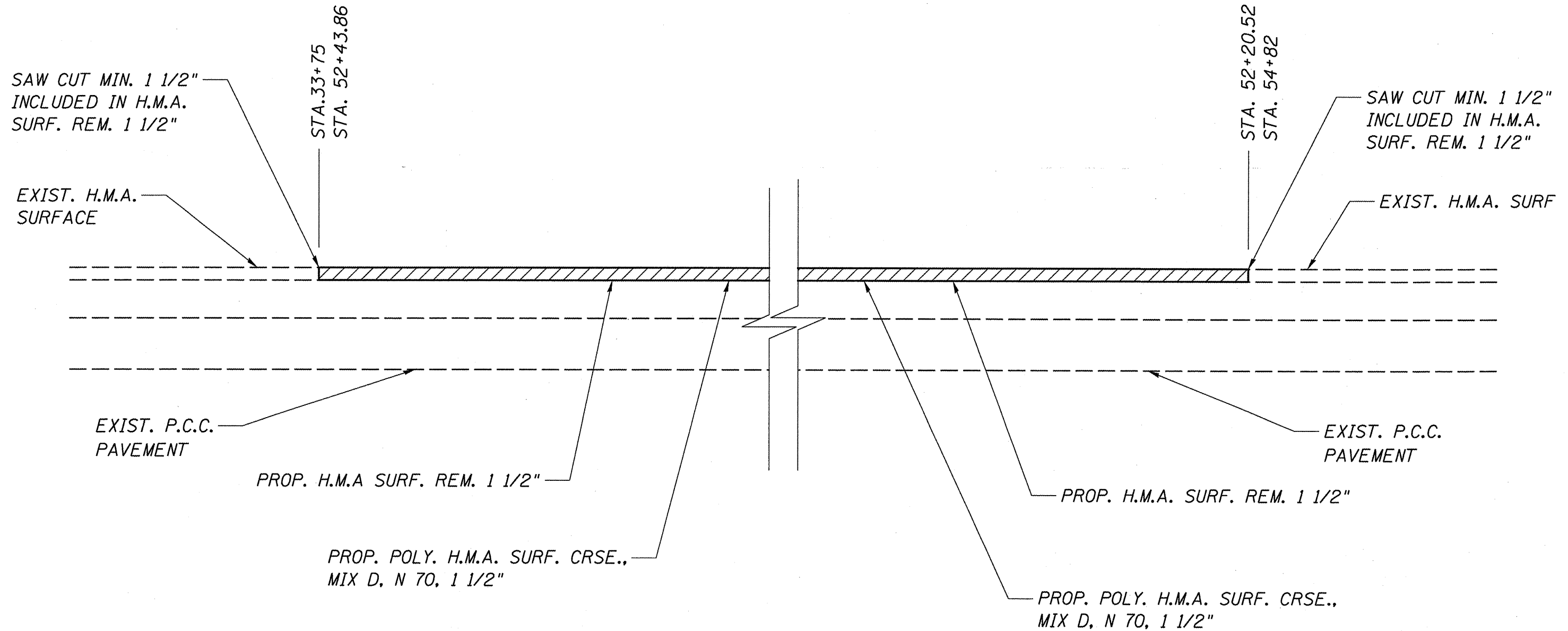
\*\*BRIDGE OMISSION 52+20.52 TO 52+43.86

MIXTURE REQUIREMENTS	
THE FOLLOWING MIXTURE REQUIREMENTS ARE APPLICABLE FOR THIS PROJECT	
MIXTURE USE(S):	POLY. H.M.A. S.C., MIX D, N70
AC/PG	SBS PG 70-22
DESIGN AIR VOIDS:	4.0% @ N DESIGN = 70
MIXTURE COMP:	IL 9.5 OR 12.5
FRICTION AGG:	MIX "D"

NOTES:

1. STATIONS ARE APPROXIMATE.

SCHEDULES  
FAP 322 (US 51,IL 16)  
SECTION 43RS-6  
CHRISTIAN COUNTY



BUTT JOINT  
FAP 322 (US 51, IL 16)  
SECTION 43RS-6  
CHRISTIAN COUNTY