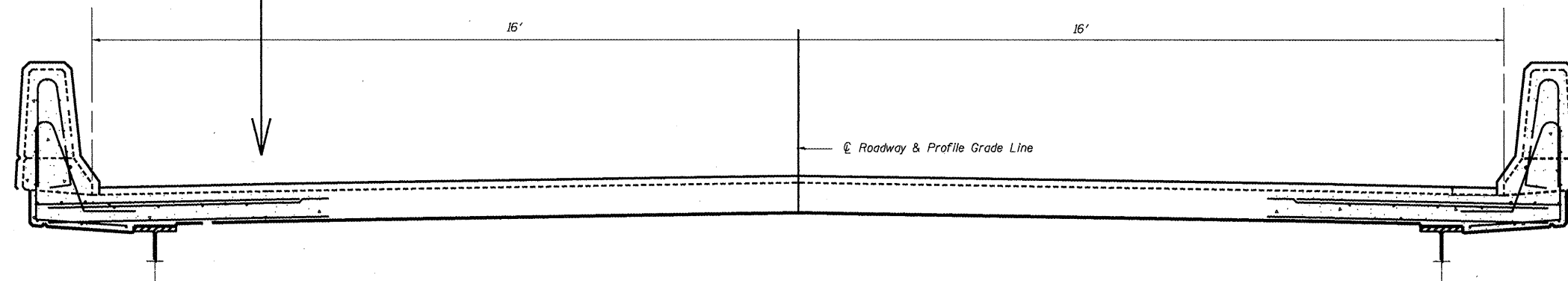


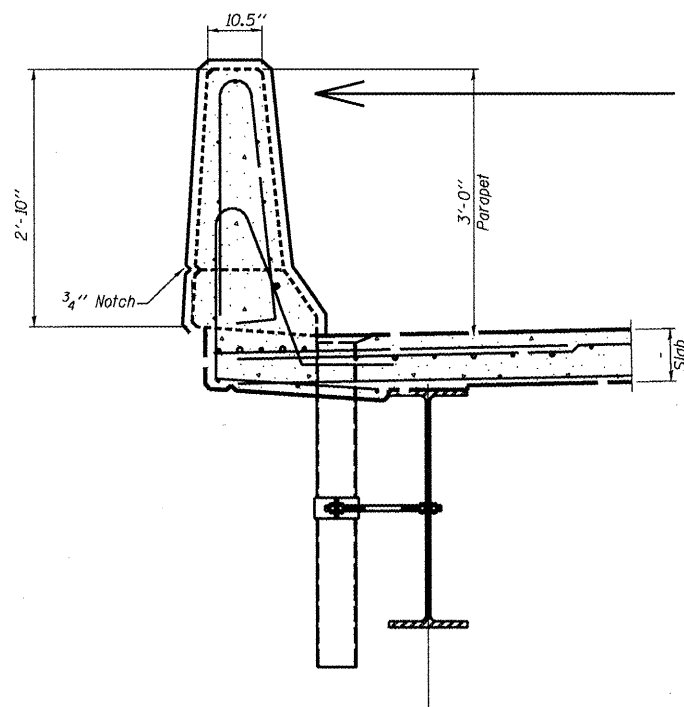
CONCRETE HEALER SEALER
APPLIED TO DECK ONLY.



CROSS SECTION
(Looking)

NOTE

SURFACE FILLER, SPECIAL PROTECTIVE COAT (SPEICAL) APPLIED TO PARAPET FRONT, TOP AND BACK SURFACES END TO END. (INCLUDING PORTIONS ON BRIDGE APPROACHES)



SECTION THRU PARAPET

FILE NAME =
VAR BRIDGE SEALER.DGN

USER NAME = appenzellerjj
PLOT SCALE = 2.0409" / IN.
PLOT DATE = 3/20/2009

DESIGNED -
DRAWN -
CHECKED -
DATE -

REVISED -
REVISED -
REVISED -
REVISED -

STATE OF ILLINOIS
DEPARTMENT OF TRANSPORTATION

TYPICAL SECTION
SN. 036-0022 HENDERSON CREEK

SCALE: SHEET NO. OF SHEETS STA. TO STA.

F.A. RTE.	SECTION	COUNTY	TOTAL SHEETS	SHEET NO.
VAR.	[113B-2106BC128(BR)]1-1	PEO./HEND.	13	13
CONTRACT NO. 68879			ILLINOIS FED. AID PROJECT	