

INDEX OF SHEETS

1. COVER SHEET
2. GENERAL NOTES
3. SUMMARY OF QUANTITIES
4. TYPICAL SECTIONS
5. SCHEDULES
6. AGGREGATE SHOULDER DETAILS

STANDARDS

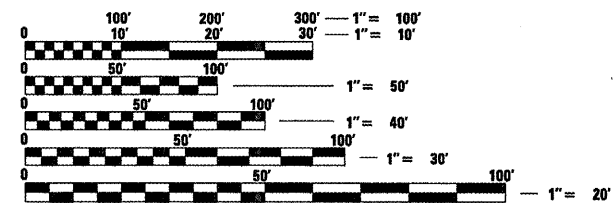
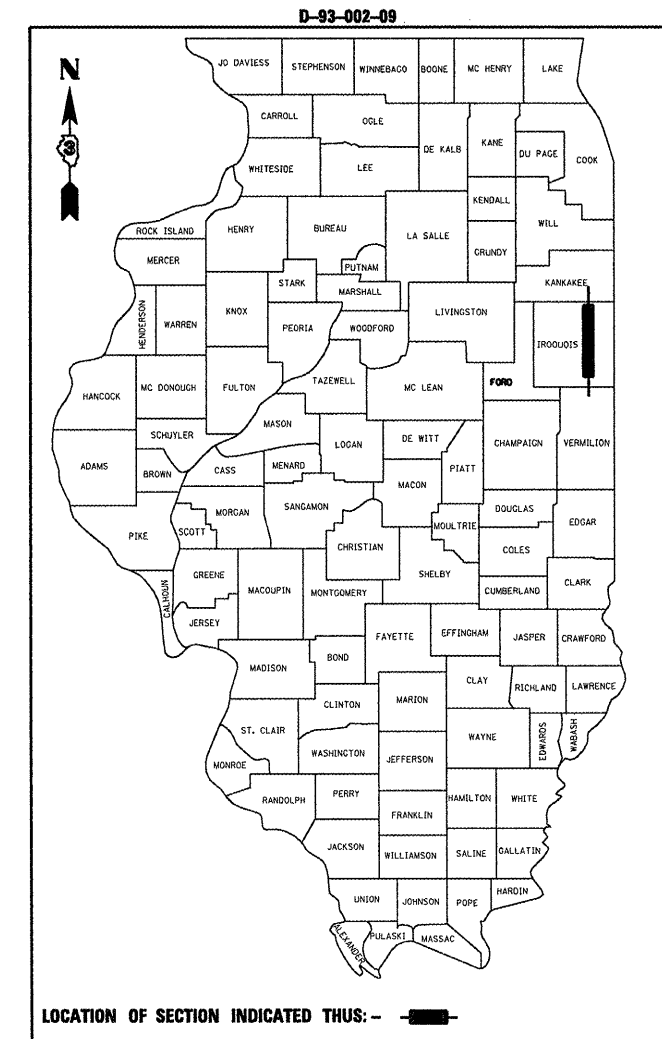
- | | |
|-----------|--|
| 701001-02 | OFF-ROAD OPERATIONS 2L, 2W, MORE THAN 4.5 m (15') AWAY |
| 701006-03 | OFF-ROAD OPERATIONS 2L, 2W, 4.5 m (15') TO 600 mm (24") FROM PAVEMENT EDGE |
| 701011-02 | OFF-ROAD MOVING OPERATIONS 2L, 2W, DAY ONLY |
| 701301-03 | LANE CLOSURE, 2L, 2W, SHORT TIME OPERATIONS |
| 701306-02 | LANE CLOSURE, 2L, 2W, SLOW MOVING OPERATIONS DAY ONLY, FOR SPEEDS > 45 MPH |
| 701901-01 | TRAFFIC CONTROL DEVICES |

STATE OF ILLINOIS
DEPARTMENT OF TRANSPORTATION
DIVISION OF HIGHWAYS
PROPOSED
HIGHWAY PLANS
FAS 332 (IL 1)
SECTION D3 AGGREGATE SHOULDERS 2010-3

SHOULDER STONE PLACEMENT
IROQUOIS COUNTY
C-93-096-09

F.A.S. RTE.	SECTION	COUNTY	TOTAL SHEETS	SHEET NO.
332	*	IROQUOIS	6	1
		ILLINOIS	CONTRACT NO. 66963	

*D3 AGGREGATE SHOULDERS 2010-3



FULL SIZE PLANS HAVE BEEN PREPARED USING STANDARD ENGINEERING SCALES. REDUCED SIZED PLANS WILL NOT CONFORM TO STANDARD SCALES. IN MAKING MEASUREMENTS ON REDUCED PLANS, THE ABOVE SCALES MAY BE USED.

J.U.L.I.E.
 JOINT UTILITY LOCATION INFORMATION FOR EXCAVATION
 1-800-892-0123
 OR 811

PROJECT ENGINEER: JOE KANNEL
UNIT CHIEF: RON WOODSHANK
TOWNSHIP: VARIOUS
CONTRACT NO. 66963

GROSS LENGTH IL RTE 1 = 146,784 FT. = 27.80 MILE
 NET LENGTH IL RTE 9 = 165,083 FT. = 31.3 MILE

STATE OF ILLINOIS
DEPARTMENT OF TRANSPORTATION
DIVISION OF HIGHWAYS

SUBMITTED 4/12 2009
George Reardon
 DEPUTY DIRECTOR OF HIGHWAYS, REGION ENGINEER

May 8, 2009
Charles J. Ingersoll
 ENGINEER OF DESIGN AND ENVIRONMENT

May 8, 2009
Christine M. Reed
 DIRECTOR OF HIGHWAYS, CHIEF ENGINEER

PRINTED BY THE AUTHORITY
OF THE STATE OF ILLINOIS

GENERAL NOTES

PLAN DIMENSIONS AND DETAILS RELATIVE TO EXISTING PLANS ARE SUBJECT TO ROUTINE VARIATIONS. THE CONTRACTOR SHALL FIELD VERIFY EXISTING DIMENSIONS AND DETAILS AFFECTING NEW CONSTRUCTION AND MAKE NECESSARY APPROVED ADJUSTMENTS PRIOR TO CONSTRUCTION OR ORDERING OF MATERIALS. SUCH VARIATIONS SHALL NOT BE CAUSE FOR ADDITIONAL COMPENSATION FOR A CHANGE IN THE SCOPE OF THE WORK. HOWEVER, THE CONTRACTOR WILL BE PAID FOR THE QUANTITY FURNISHED BASED UPON THE UNIT BID FOR THE WORK.

THE CONTRACTOR SHALL BE RESPONSIBLE FOR PROTECTING UTILITY PROPERTY FROM CONSTRUCTION OPERATIONS AS OUTLINED IN ARTICLE 107.31 OF THE STANDARD SPECIFICATIONS. THE "JULIE" NUMBER IS 1-800-892-0123. A MINIMUM OF FORTY-EIGHT (48) HOURS ADVANCE NOTICE IS REQUIRED.

ABANDONED UNDERGROUND UTILITIES THAT CONFLICT WITH CONSTRUCTION SHALL BE DISPOSED OF OUTSIDE THE LIMITS OF THE RIGHT OF WAY ACCORDING TO ARTICLE 202.03 OF THE STANDARD SPECIFICATIONS AND AS DIRECTED BY THE ENGINEER. THIS WORK WILL NOT BE PAID FOR SEPARATELY BUT SHALL BE INCLUDED IN THE COST OF EARTH EXCAVATION.

ANY REFERENCE TO A STANDARD IN THESE PLANS SHALL BE INTERPRETED TO MEAN THE EDITION AS INDICATED BY THE SUBNUMBER LISTED ON THE INDEX OF SHEETS OR THE COPY OF THE STANDARD INCLUDED IN THESE PLANS.

THE EXISTING SHOULDERS ARE LOW. IN THE EVENT THAT CONSTRUCTION OPERATIONS RESULT IN A DROP OFF GREATER THAN 3" BETWEEN THE EDGE OF PAVEMENT OR EDGE OF SHOULDER WITHIN 3' OF THE EDGE OF PAVEMENT AND THE EARTH OR AGGREGATE SHOULDERS, THEN THE DROP OFF SHALL BE PROTECTED ACCORDING TO ARTICLE 701.04(B)(1) OF THE STANDARD SPECIFICATIONS. THIS WORK WILL BE CONSIDERED AS INCLUDED IN THE CONTRACT UNIT PRICES FOR TRAFFIC CONTROL.

THE FOLLOWING RATES OF APPLICATION HAVE BEEN USED IN CALCULATING PLAN QUANTITIES:

GRANULAR MATERIALS	2.05	TONS / CU YD
--------------------	------	--------------

DATE: 4/2/09

 PREPARED BY: _____
 DISTRICT STUDIES & PLANS ENGINEER

EXAMINED BY: Hubert K. Long
 DISTRICT CONSTRUCTION ENGINEER

Wayne J. Phillips
 DISTRICT MATERIALS ENGINEER

James A. Husker
 DISTRICT OPERATIONS ENGINEER

D3 AGGREGATE SHOULDERS 2010-3

STATE OF ILLINOIS
 DEPARTMENT OF TRANSPORTATION

GENERAL NOTES

SCALE: _____ SHEET NO. 1 OF 1 SHEETS STA. _____ TO STA. _____

F.A.S. RTE.	SECTION	COUNTY	TOTAL SHEETS	SHEET NO.
322		IRROUOIS	6	2
ILLINOIS			CONTRACT NO. 66963	

FILE NAME =	USER NAME = woodshankr1	DESIGNED - RON WOODSHANK	REVISED -
\\pwwork\pwwidot\WOODSHANKR1\d0135039	03-66963-details.dgn	DRAWN - RON WOODSHANK	REVISED -
	PLOT SCALE = 100.0000' / IN.	CHECKED -	REVISED -
	PLOT DATE = Apr 01, 2009 - 06:59:17 AM	DATE -	REVISED -

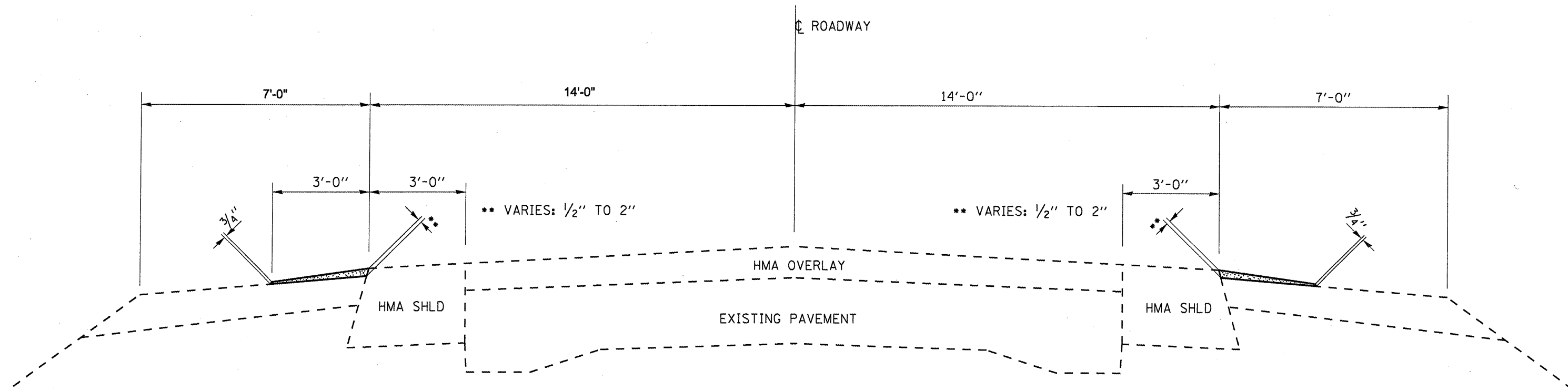
SUMMARY OF QUANTITIES

CONSTRUCTION CODE TYPE: SFTY-2A

CODE NO.	ITEM	UNIT	RURAL 100% STATE TOTAL QUANTITY
48102100	AGGREGATE WEDGE SHOULDER, TYPE B	TON	9246
67100100	MOBILIZATION	L SUM	1
70100460	TRAFFIC CONTROL AND PROTECTION, STANDARD 701306	L SUM	1

* D3 AGGREGATE SHOULDERS 2010-3

FILE NAME =	USER NAME = woodshankr1	DESIGNED - RON WOODSHANK	REVISED -	STATE OF ILLINOIS	SUMMARY OF QUANTITIES	F.A.S. RTE.	SECTION	COUNTY	TOTAL SHEETS	SHEET NO.
ct:\pw\work\VPWIDOT\WOODSHANKRL\d0135839	D3-66963-details.dgn	DRAWN - RON WOODSHANK	REVISED -	DEPARTMENT OF TRANSPORTATION		322	*	IRROUOIS	6	3
	PLOT SCALE = 100.0000' / IN.	CHECKED -	REVISED -		SCALE: -----					
	PLOT DATE = Apr 01, 2009 - 06:57:42 AM	DATE -	REVISED -		SHEET NO. 1 OF 1 SHEETS					
					STA. ----- TO STA. -----					
										ILLINOIS
										CONTRACT NO. 66963



**TYPICAL SECTION
FAS ROUTE 332 (IL 1)**

* D3 AGGREGATE SHOULDERS 2010-3

FILE NAME =	USER NAME = woodshankr1	DESIGNED - RON WOODSHANK	REVISED -
c:\pwork\pwwdot\WOODSHANKRL\d0135839	D3-66963-details.dgn	DRAWN - RON WOODSHANK	REVISED -
PLOT SCALE = 100.0000' / IN.	CHECKED -	REVISOR -	REVISED -
PLOT DATE = Apr 01, 2009 - 06:57:48 AM	DATE -	REVISOR -	REVISED -

**STATE OF ILLINOIS
DEPARTMENT OF TRANSPORTATION**

TYPICAL SECTION

SCALE: SHEET NO. 1 OF 1 SHEETS STA. TO STA.

F.A.S. RTE.	SECTION	COUNTY	TOTAL SHEETS	SHEET NO.
322	*	IROQUOIS	6	4
CONTRACT NO. 66963			ILLINOIS	

SCHEDULE					
LOCATION		US ROUTE 24 TO VERMILION COUNTY LINE			
LOG MILE	LOG MILE	TON		REMARKS	
		LT	RT		
	0.00				PROJECT BEGIN: US ROUTE 24
0.00	TO 0.03				BEGIN AGG SHLD: '+/-50 SOUTH OF RAILROAD TRACKS
0.03	TO 0.43	69	66		1760 N. ROAD RT. ONLY
0.43	TO 0.85	69	64		1730 N. ROAD
0.85	TO 1.30	73	76		1680 N. ROAD RT. ONLY
1.30	TO 1.35	7	8		1675 N. ROAD RT. ONLY
1.35	TO 1.60	41	43		1650 N. ROAD RT. ONLY
1.60	TO 2.25	115	113		1600 N. ROAD RT. ONLY
2.25	TO 2.77	90	89		1550 N. ROAD
2.77	TO 3.20	73	71		1500 N. ROAD
3.20	TO 3.60	69	69		1470 N. ROAD RT. ONLY
3.60	TO 4.29	122	120		1400 N. ROAD
4.29	TO 5.00	113	117		1330 N. ROAD LT.
5.00	TO 6.32	229	230		1200 N. ROAD
6.32	TO 7.30	170	166		1170 N. ROAD
7.30	TO 8.50	204	205		SIDE ROAD
8.50	TO 9.00	86	85		1100 N. ROAD LT. ONLY
9.00	TO 9.13	21	22		1090 N. ROAD RT. ONLY
9.13	TO 9.52	65	59		OMMISSION-BEGIN CURB SECTION
9.52	TO 9.78				OMMISSION-END CURB SECTION
9.78	TO 9.90	13	19		McKINELY AVE.
9.90	TO 11.00	192	191		SIDE ROAD
11.00	TO 13.00	335	342		700 N. ROAD
13.00	TO 14.00	173	173		600 N. ROAD
14.00	TO 15.00	158	168		500 N. ROAD
15.00	TO 16.00	171	169		400 N. ROAD RT. ONLY
16.00	TO 16.50	88	85		350 N. ROAD LT. ONLY
16.50	TO 17.00	83	88		300 N. ROAD RT. ONLY
17.00	TO 18.00	175	170		200 N. ROAD RT. ONLY
18.00	TO 19.00	175	163		100 N. ROAD RT. ONLY
19.00	TO 20.00	171	168		PROJECT END: VERMILION COUNTY LINE
SUBTOTAL		3350	3339		
TOTAL		6689			

SCHEDULE					
LOCATION		KANKAKEE CO. LINE TO US ROUTE 52			
LOG MILE	LOG MILE	TON		REMARKS	
		LT	RT		
	0.00				PROJECT BEGIN: KANKAKEE COUNTY LINE
0.00	TO 1.00	174	169		SIDE ROAD
1.00	TO 2.50	218	211		3150 N. ROAD
2.50	TO 3.00	86	85		3100 N. ROAD
3.00	TO 4.00	175	173		SIDE ROAD RT. ONLY
4.00	TO 4.20	34	32		SIDE ROAD LT. ONLY
4.20	TO 5.50	217	224		2850 N. ROAD RT. ONLY
5.50	TO 5.88	53	53		MARTINTON CITY LIMIT
5.88	TO 5.92	6	4		SIDE ROAD LT. ONLY
5.92	TO 6.12	28	34		THOMAS STREET LT. ONLY
6.12	TO 6.25	21	23		MAIN STREET LT. ONLY
6.25	TO 6.40	14	26		LAWERENCE STREET LT. ONLY
6.40	TO 6.49	15	16		SIDE ROAD RT. ONLY (MARTINTON CITY LIMIT)
6.49	TO 7.50	160	158		2650 N. ROAD RT. ONLY
7.50	TO 7.95	75	73		END AGGREGATE SHOULDER
7.97					PROJECT END: US ROUTE 52
SUBTOTAL		1276	1281		
TOTAL		2557			

* D3 AGGREGATE SHOULDERS 2010-3

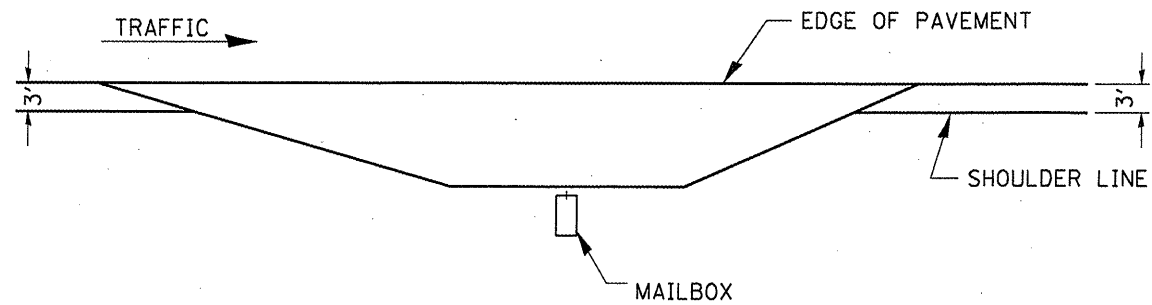
FILE NAME =	USER NAME = woodshankr1	DESIGNED - RON WOODSHANK	REVISED - -----
c:\pwork\p\WIDOT\WOODSHANKRL\d0135839	D3-66963-details.dgn	DRAWN - RON WOODSHANK	REVISED - -----
PLOT SCALE = 100.0000 "/ IN.	CHECKED - ---	REVISOR - ---	REVISED - -----
PLOT DATE = Apr 01, 2009 - 06:57:53 AM	DATE - -----	REVISOR - -----	REVISED - -----

STATE OF ILLINOIS
DEPARTMENT OF TRANSPORTATION

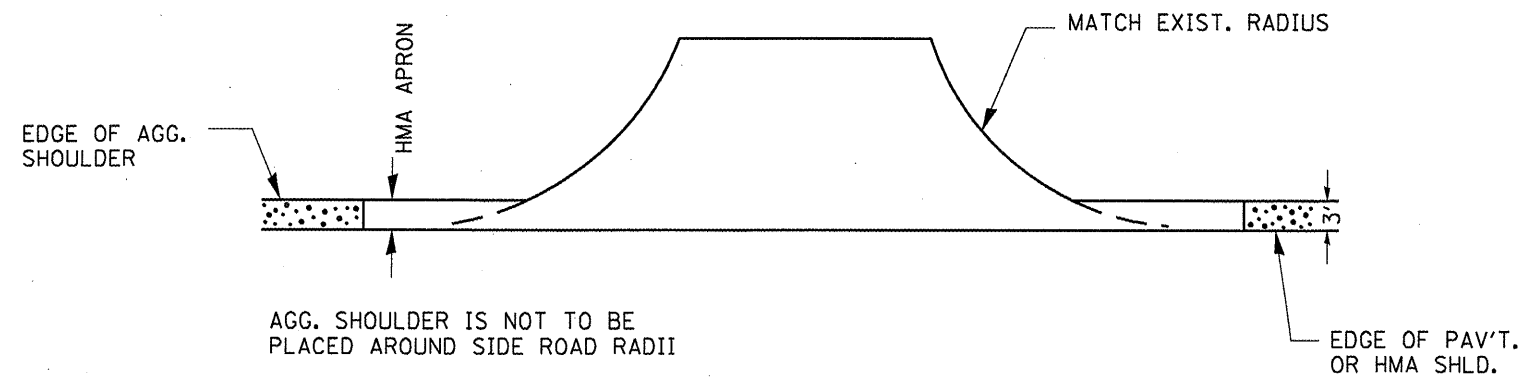
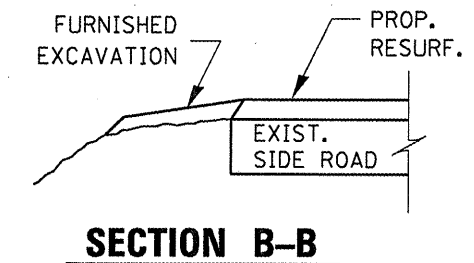
SCHEDULES

SCALE: -----	SHEET NO. 1 OF 1 SHEETS	STA. ----- TO STA. -----
--------------	-------------------------	--------------------------

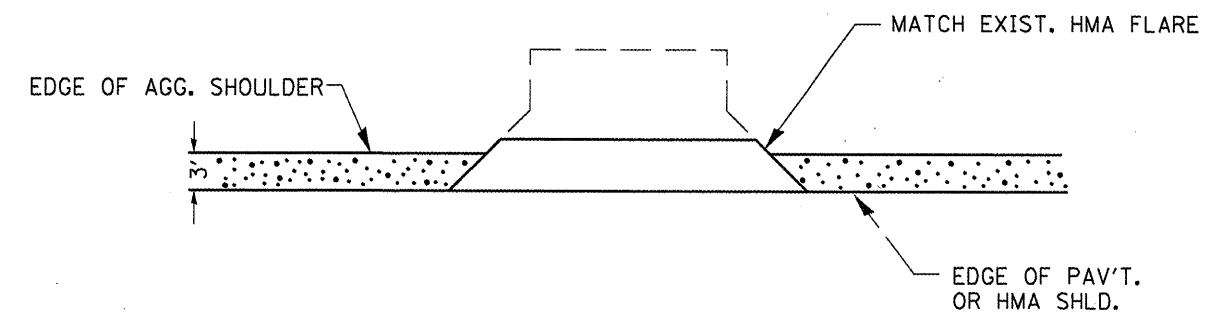
F.A.S. RTE. 322	SECTION *	COUNTY IROQUOIS	TOTAL SHEETS 6	SHEET NO. 5
			CONTRACT NO. 66963	
[ILLINOIS]				



PLAN AT MAIL BOX TURNOUTS



PLAN AT SIDE ROADS



PLAN AT PRIVATE & COMMERCIAL ENTRANCES

FILE NAME =	USER NAME = woodshankr1	DESIGNED - RON WOODSHANK	REVISED -
c:\pwork\pwork\WOODSHANKR1\0135039	D3-66963-details.dgn	DRAWN - RON WOODSHANK	REVISED -
	PLOT SCALE = 100.0000' / IN.	CHECKED -	REVISED -
	PLOT DATE = Apr 01, 2009 - 06:57:58 AM	DATE -	REVISED -

STATE OF ILLINOIS
DEPARTMENT OF TRANSPORTATION

AGGREGATE SHOULDER DETAILS

SCALE: SHEET NO. 1 OF 1 SHEETS STA. TO STA.

D3 AGGREGATE SHOULDERS 2010-3				
F.A.S. RTE.	SECTION	COUNTY	TOTAL SHEETS	SHEET NO.
322		IROQUOIS	6	6
			CONTRACT NO. 66963	
ILLINOIS				