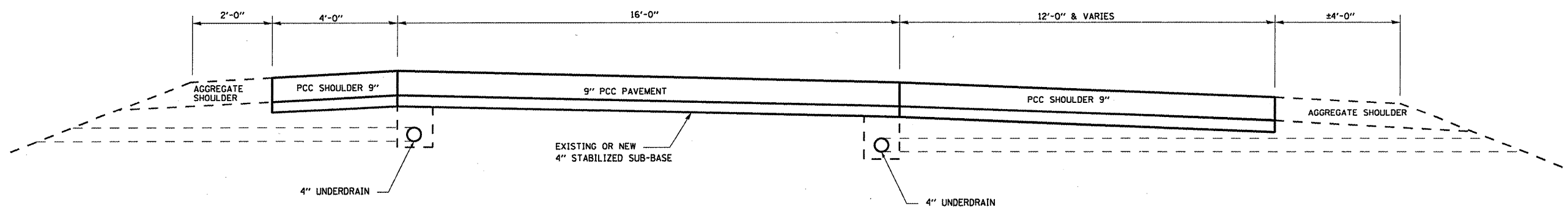


**EXISTING TYPICAL SECTION
RAMP H**



**PROPOSED TYPICAL SECTION
RAMP H**

FILE NAME =	USER NAME = woodshankr1	DESIGNED - RON WOODSHANK	REVISED -
c:\pwork\pwork\WOODSHANKR1\dms91693	0366940-details.dgn	DRAWN - RON WOODSHANK	REVISED -
	PLOT SCALE = 100.0000' / IN.	CHECKED -	REVISED -
	PLOT DATE = Mar 31, 2009 - 11:18:40 AM	DATE -	REVISED -

STATE OF ILLINOIS
DEPARTMENT OF TRANSPORTATION

TYPICAL SECTIONS
RAMP H AT IL 47

SCALE: _____	SHEET NO. 2 OF 2 SHEETS	STA. _____ TO STA. _____	F.A.I. RTE. 55	SECTION VARIOUS	COUNTY * LIVINGSTON AND GRUNDY	TOTAL SHEETS 13	SHEET NO. 5
						CONTRACT NO. 66940	
						ILLINOIS	