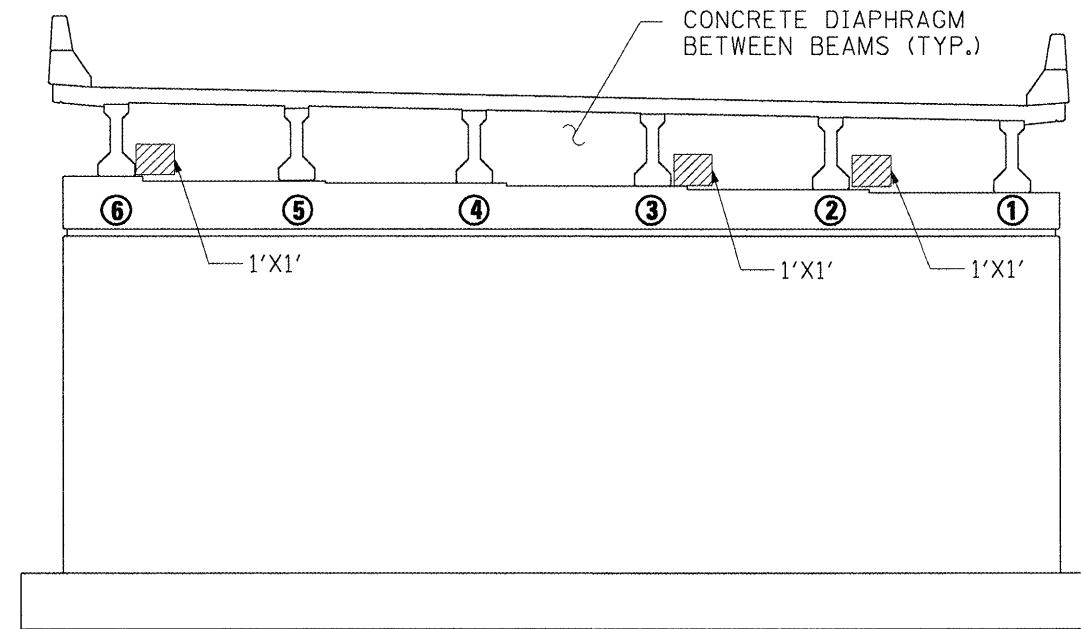


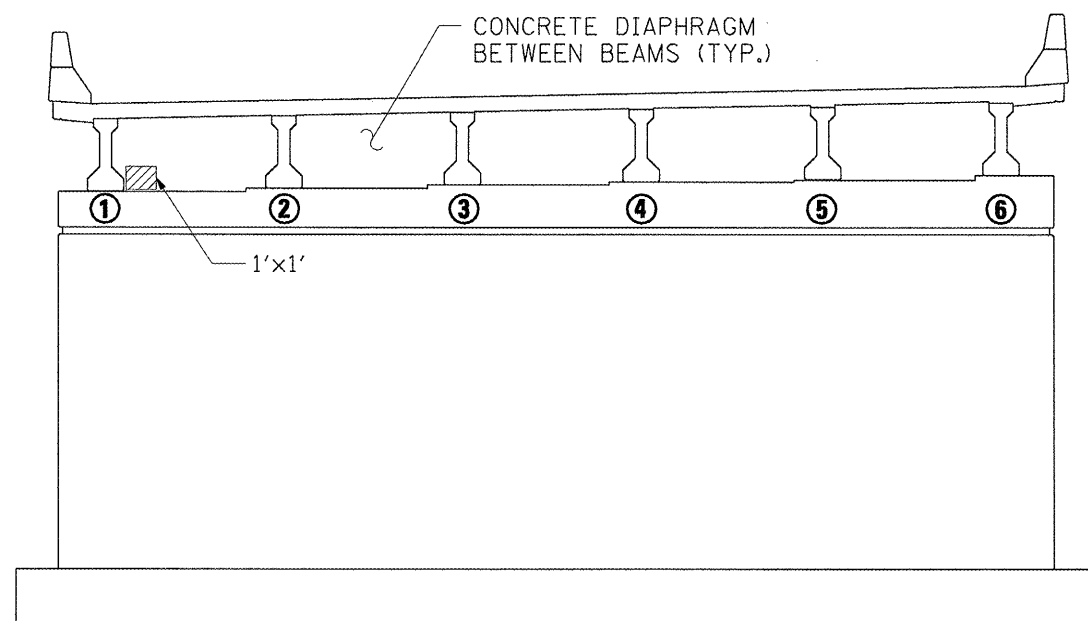
LOOKING AHEAD
SOUTH FACE



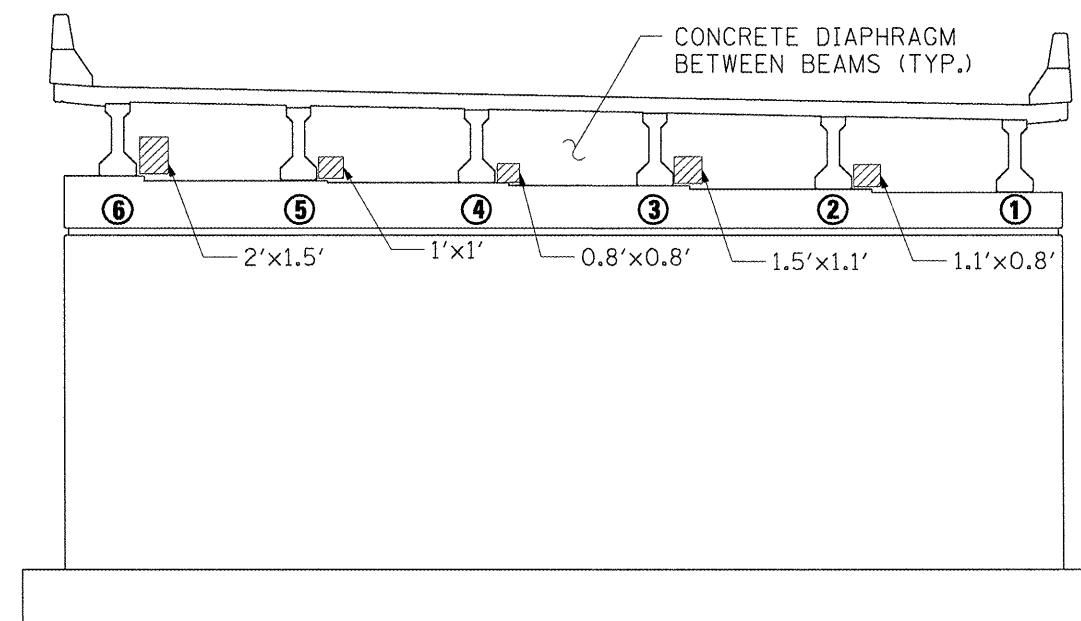
LOOKING BACK
NORTH FACE

 **STRUCTURAL REPAIR OF CONCRETE**
(DEPTH EQUAL TO OR LESS THEN 5")

PIER 1



LOOKING AHEAD
SOUTH FACE



LOOKING BACK
NORTH FACE

 **STRUCTURAL REPAIR OF CONCRETE**
(DEPTH EQUAL TO OR LESS THEN 5")

PIER 2

FILE NAME =	USER NAME = woodshankr1	DESIGNED - RON WOODSHANK	REVISED -
c:\pw_vork\pwi001\WOODSHANKR1\dms91655	D3-66890-details.dgn	DRAWN - RON WOODSHANK	REVISED -
	PLOT SCALE = 100.0000' / IN.	CHECKED -	REVISED -
	PLOT DATE = Mar 25, 2009 - 06:58:39 AM	DATE -	REVISED -

STATE OF ILLINOIS
DEPARTMENT OF TRANSPORTATION

PIER DETAILS
SN 050-0169 (SB)

SCALE: SHEET NO. 5 OF 7 SHEETS STA. TO STA.

F.A.I. RTE.	SECTION	COUNTY	TOTAL SHEETS	SHEET NO.
39	(50-7B)-2	LASALLE	29	17
FED. ROAD DIST. NO. ILLINOIS			CONTRACT NO. 66890	