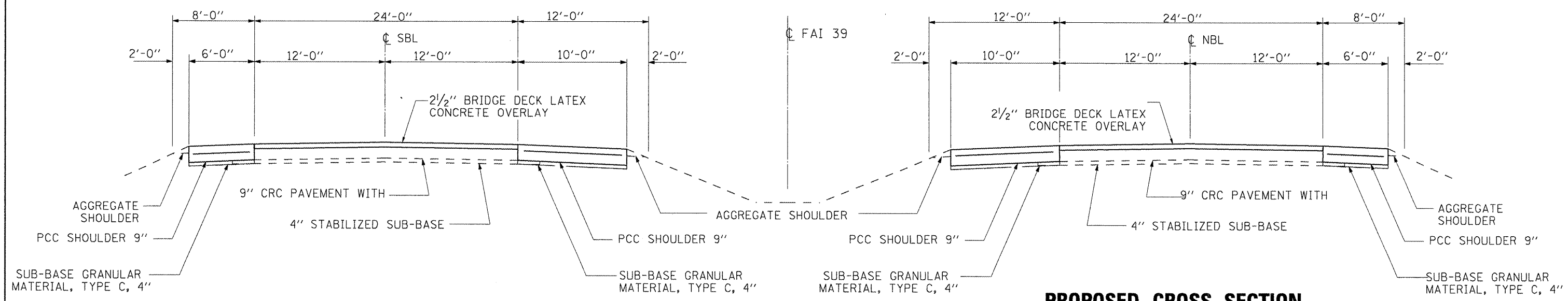


**EXISTING  
CROSS SECTION**

LOOKING AHEAD

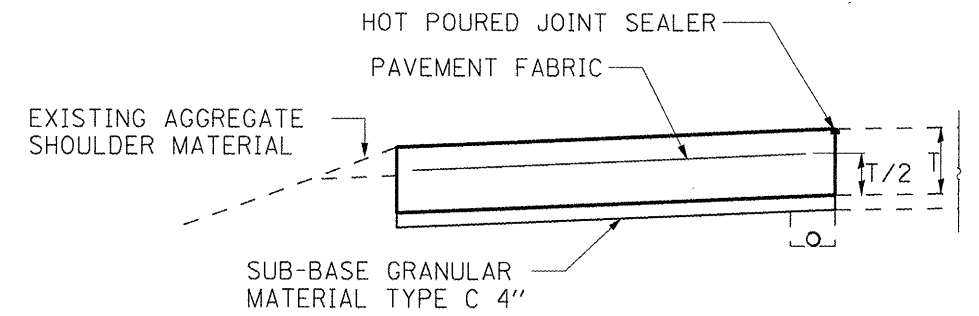


**PROPOSED  
CROSS SECTION**

LOOKING AHEAD

**PROPOSED CROSS SECTION**

LOOKING AHEAD



**SHOULDER DETAIL**

STATE OF ILLINOIS  
DEPARTMENT OF TRANSPORTATION

**TYPICAL SECTIONS**

|                    |                         |                          |                          |                                    |                    |                |                 |             |
|--------------------|-------------------------|--------------------------|--------------------------|------------------------------------|--------------------|----------------|-----------------|-------------|
| FILE NAME =        | USER NAME = woodshankr1 | DESIGNED - RON WOODSHANK | REVISED -                | F.A.I. RTE. 39                     | SECTION (50-7B)1-2 | COUNTY LASALLE | TOTAL SHEETS 29 | SHEET NO. 5 |
| CONTRACT NO. 66890 | SCALE: _____            | SHEET NO. 1 OF 1 SHEETS  | STA. _____ TO STA. _____ | FED. ROAD DIST. NO. _____ ILLINOIS |                    |                |                 |             |