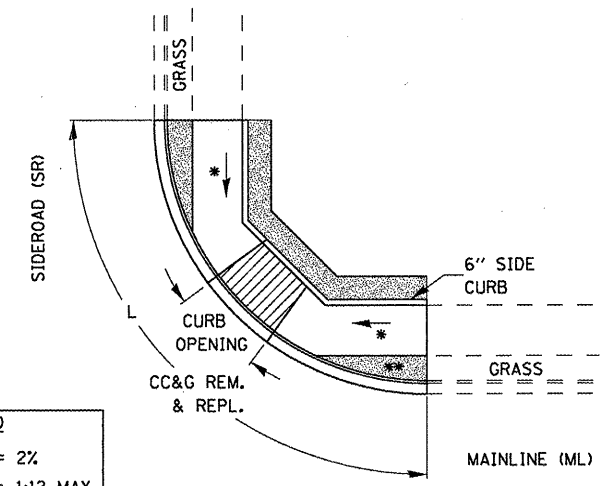


LEGEND  
 SOD

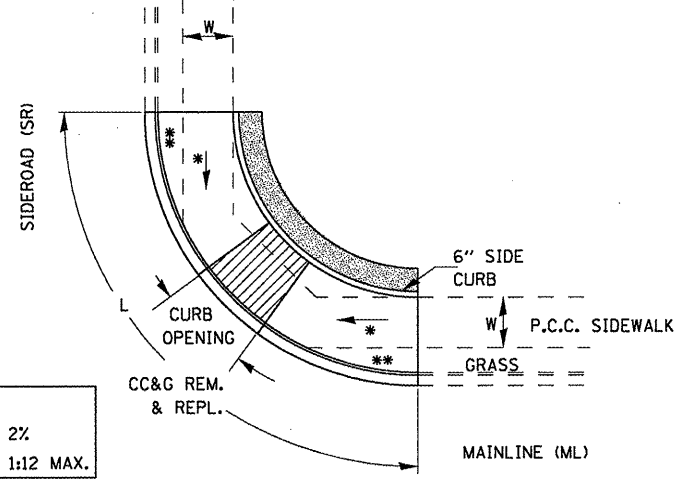
**ADA SIDEWALK ACCESSIBILITY RAMPS**  
**TYPICAL SODDING DETAILS FOR SIDEWALK RAMPS**



LEGEND  
 SLOPE = 2%  
 SLOPE = 1:12 MAX.

\*\* SOD TO BE SLOPED TO MEET SLOPE OF SIDEWALK AND CURB & GUTTER (TYP.)

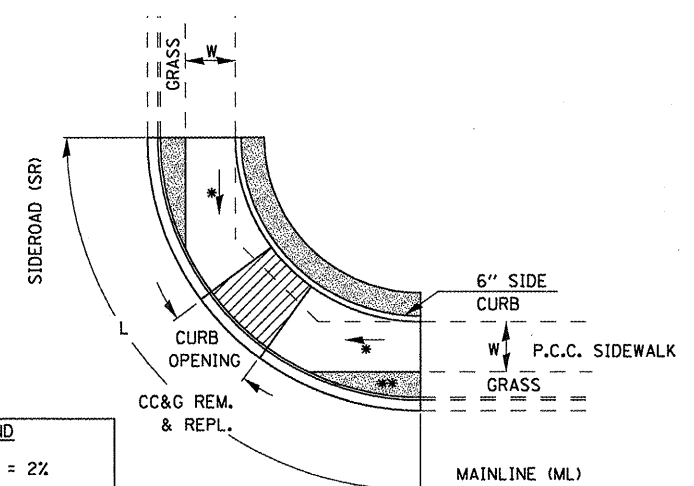
**ADA SIDEWALK ACCESSIBILITY RAMPS**  
**METHOD 6**



LEGEND  
 SLOPE = 2%  
 SLOPE = 1:12 MAX.

\*\* AREA OF EXISTING GRASS TO BE REMOVED AND REPLACED WITH CONCRETE

**ADA SIDEWALK ACCESSIBILITY RAMPS**  
**METHOD 6**



LEGEND  
 SLOPE = 2%  
 SLOPE = 1:12 MAX.

\*\* SOD TO BE SLOPED TO MEET SLOPE OF SIDEWALK AND CURB & GUTTER (TYP.)

**ADA SIDEWALK ACCESSIBILITY RAMPS**  
**METHOD 6**

|                                       |                        |            |           |                                                           |                |                           |                      |        |              |           |  |
|---------------------------------------|------------------------|------------|-----------|-----------------------------------------------------------|----------------|---------------------------|----------------------|--------|--------------|-----------|--|
| FILE NAME =                           | USER NAME = schwankerg | DESIGNED - | REVISED - | <b>STATE OF ILLINOIS<br/>DEPARTMENT OF TRANSPORTATION</b> | <b>DETAILS</b> | F.A.P. RTE.               | SECTION              | COUNTY | TOTAL SHEETS | SHEET NO. |  |
| ct:\pwork\p\WIDOT\SCHWANKERG\0120874  | 386747-shr-details.DGN | DRAWN -    | REVISED - |                                                           |                | 567                       | (34)RS-5, (7)RS-3, 1 | DEKALB | 35           | 35        |  |
| PLOT SCALE = 100.0000' / IN.          | CHECKED -              | REVISED -  | REVISED - |                                                           |                | CONTRACT NO. 66747        |                      |        |              |           |  |
| PLOT DATE = Mar-25-2009 - 04:06:44 PM | DATE -                 | REVISED -  | REVISED - |                                                           |                | ILLINOIS FED. AID PROJECT |                      |        |              |           |  |