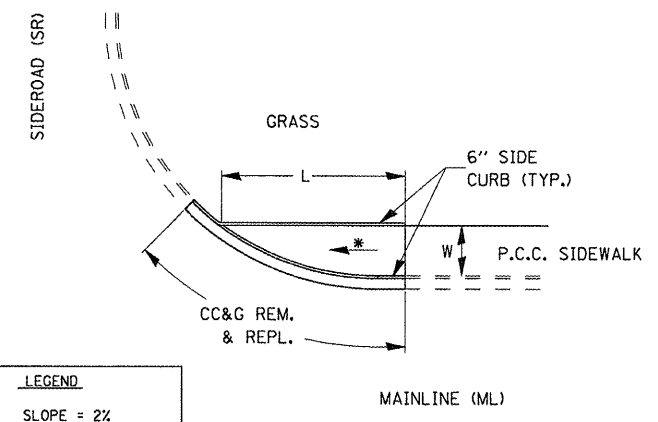


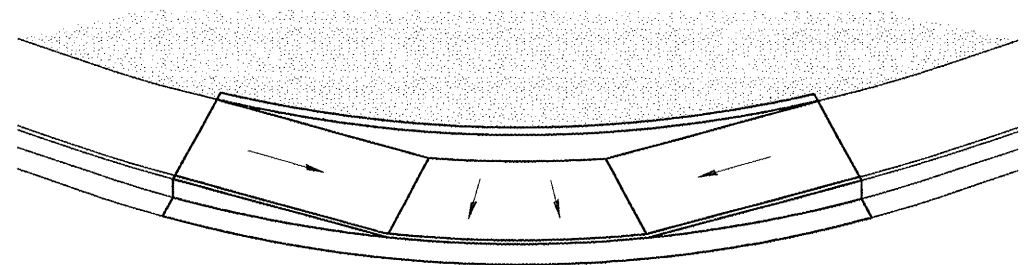
LEGEND
 ▨ SLOPE = 2%
 * SLOPE = 1:12 MAX.

**ADA SIDEWALK ACCESSIBILITY RAMPS
 METHOD 3**



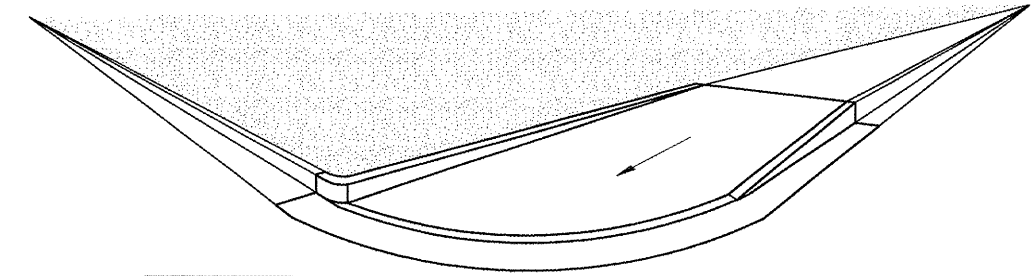
LEGEND
 ▨ SLOPE = 2%
 * SLOPE = 1:12 MAX.

**ADA SIDEWALK ACCESSIBILITY RAMPS
 METHOD 4 PERSPECTIVE**



LEGEND
 ▨ GRASS

**ADA SIDEWALK ACCESSIBILITY RAMPS
 METHOD 3 PERSPECTIVE**



LEGEND
 ▨ GRASS

**STATE OF ILLINOIS
 DEPARTMENT OF TRANSPORTATION**

DETAILS

| | | | |
|--|--|------------|-----------|
| FILE NAME = | USER NAME = corcoranlm | DESIGNED - | REVISED - |
| ct:\pw\work\puidot\corcoranlm\d0120874\d | 66747-sht-details.DGN | DRAWN - | REVISED - |
| | PLOT SCALE = 100.0000' / IN. | CHECKED - | REVISED - |
| | PLOT DATE = Mar 19, 2009 - 11:16:26 AM | DATE - | REVISED - |

| | | | | | |
|--------|-----------|----|--------|------|---------|
| SCALE: | SHEET NO. | OF | SHEETS | STA. | TO STA. |
|--------|-----------|----|--------|------|---------|

| F.A.P. RTE. | SECTION | COUNTY | TOTAL SHEETS | SHEET NO. |
|---------------------------|----------------------|--------|--------------|-----------|
| 567 | (34)RS-5, (7)RS-3, 1 | DEKALB | 35 | 33 |
| CONTRACT NO. 66747 | | | | |
| ILLINOIS FED. AID PROJECT | | | | |