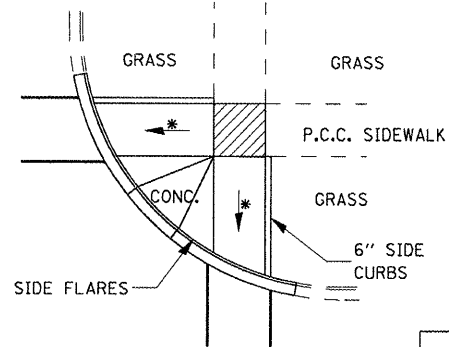
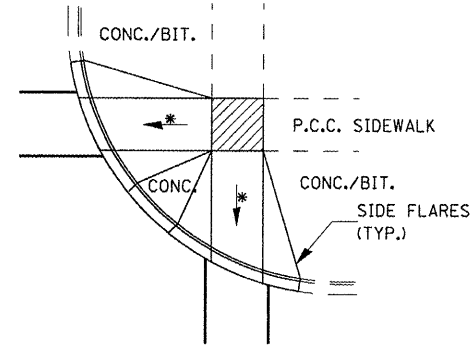
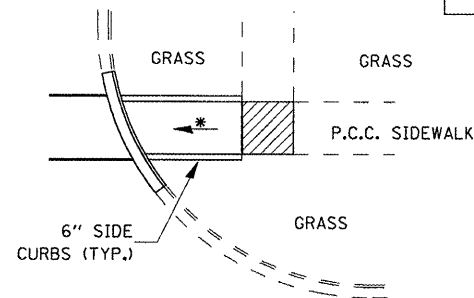


**LEGEND**  
 ▨ SLOPE = 2%  
 \* SLOPE = 1:12 MAX.

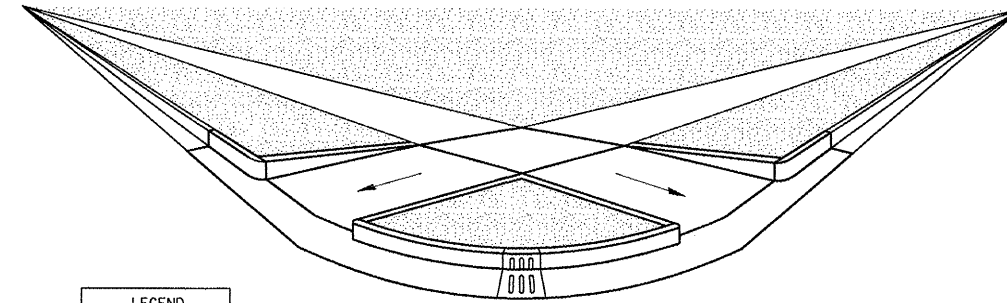
**ADA SIDEWALK ACCESSIBILITY RAMPS  
METHOD 1**



**LEGEND**  
 ▨ SLOPE = 2%  
 \* SLOPE = 1:12 MAX.

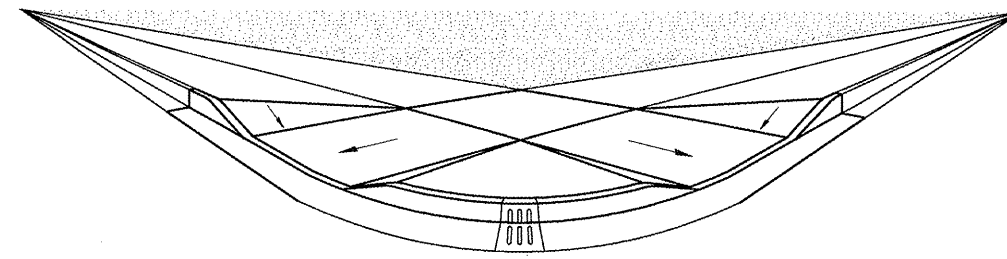


**TYPICAL CURB APPLICATIONS FOR METHOD 1**



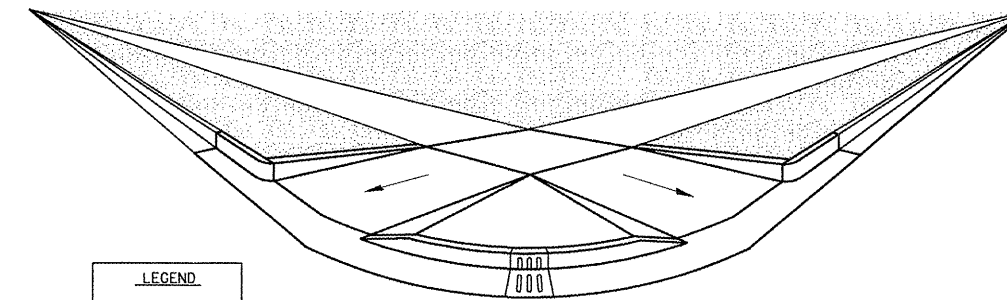
**LEGEND**  
 ▨ GRASS

**ADA SIDEWALK ACCESSIBILITY RAMPS  
METHOD 1 PERSPECTIVE WITH SIDE CURBS**



**LEGEND**  
 ▨ GRASS

**ADA SIDEWALK ACCESSIBILITY RAMPS  
METHOD 1 PERSPECTIVE WITH SIDE FLARES**



**LEGEND**  
 ▨ GRASS

**ADA SIDEWALK ACCESSIBILITY RAMPS  
METHOD 1 PERSPECTIVE WITH SIDE CURBS AND SIDE FLARES**

FILE NAME =	USER NAME = corcoranlm	DESIGNED -	REVISED -
ci:\pw_work\pwidot\corcoranlm\d0120874\66747-ahd-detail.dgn	66747-ahd-detail.dgn	DRAWN -	REVISED -
	PLOT SCALE = 100.0000' / IN.	CHECKED -	REVISED -
	PLOT DATE = Mar 19, 2009 - 11:15:34 AM	DATE -	REVISED -

**STATE OF ILLINOIS  
DEPARTMENT OF TRANSPORTATION**

<b>DETAILS</b>			
SCALE:	SHEET NO.	OF SHEETS	STA. TO STA.

F.A.P. RTE.	SECTION	COUNTY	TOTAL SHEETS	SHEET NO.
567	(34)RS-5, (7)RS-3, 1	DEKALB	35	31
CONTRACT NO. 66747				
ILLINOIS FED. AID PROJECT				