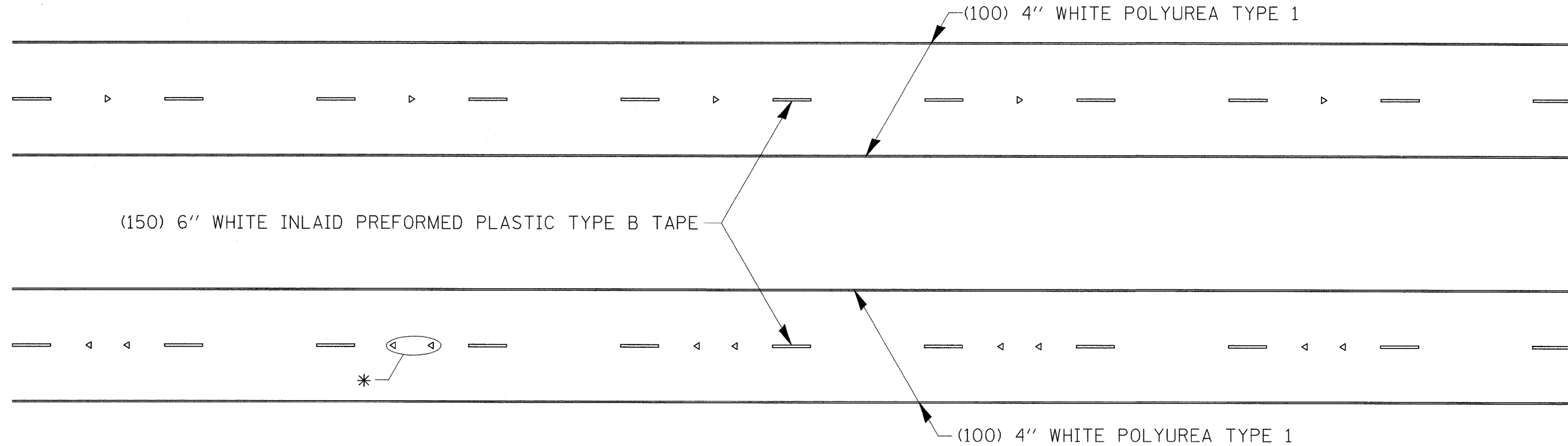
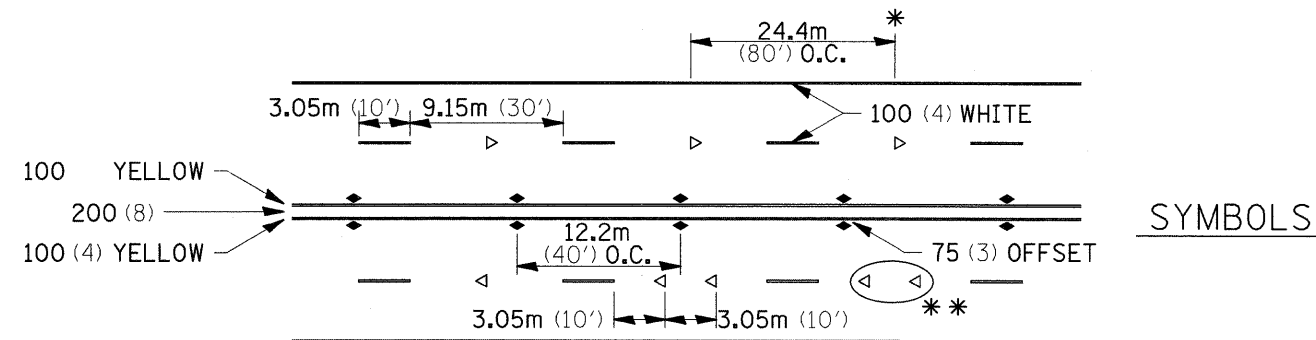


# TYPICAL PAVEMENT MARKINGS



\* SEE HIGHWAY STANDARD 781001 FOR SPACING DETAILS.  
USE DOUBLE MARKERS WHEN ADT  $\geq$  25,000.

## MULTI-LANE / DIVIDED

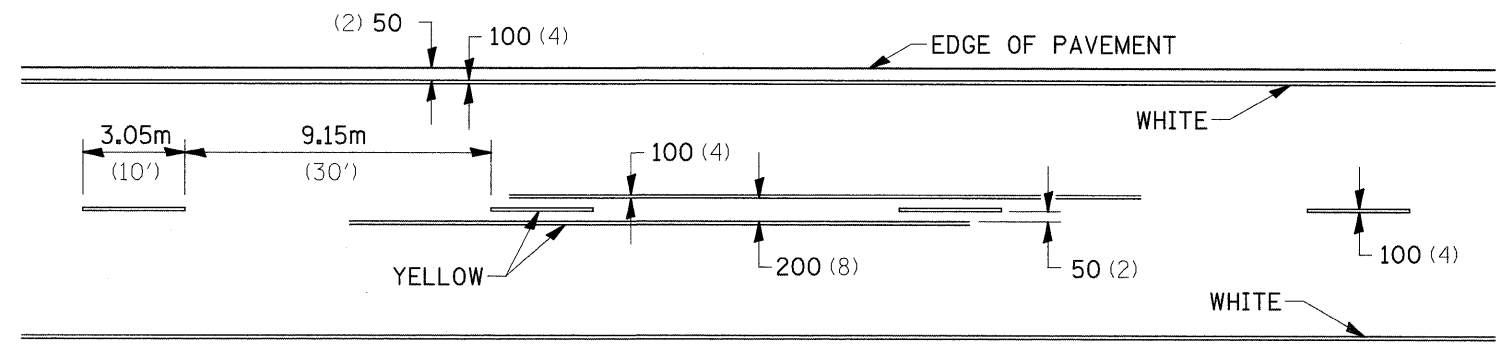


\* REDUCE TO 12.2m (40') O.C. ON CURVES WHERE ADVISORY SPEEDS ARE 15Km/H (10MPH) LOWER THAN POSTED SPEEDS.

\*\* USE DOUBLE MARKERS WHEN ADT  $\geq$  25,000

## MULTI-LANE / UNDIVIDED

## TYPICAL PAVEMENT MARKING FOR TWO LANE SECTION - NO PASSING ZONES



FILE NAME =	USER NAME = ford,jd	DESIGNED -	REVISED - 10-21-08	<b>STATE OF ILLINOIS DEPARTMENT OF TRANSPORTATION</b>	<b>REGION 2 / DISTRICT 2 STANDARD</b>			F.A.S. RTE.	SECTION	COUNTY	TOTAL SHEETS	SHEET NO.
ct:\pwork\p\WIDOT\FORDJD\dms33831\026413-sht-details.dgn	PLOT SCALE = 50.0000' / IN.	DRAWN -	REVISED -					1188	118T	Henry	52	33
PLOT DATE = Tue Mar 10 08:13:22 2009	DATE -	CHECKED -	REVISED -		CONTRACT NO. 64D13							
					SCALE:	SHEET NO.	OF SHEETS	STA.	TO STA.	FED. ROAD DIST. NO.	ILLINOIS FED. AID PROJECT	