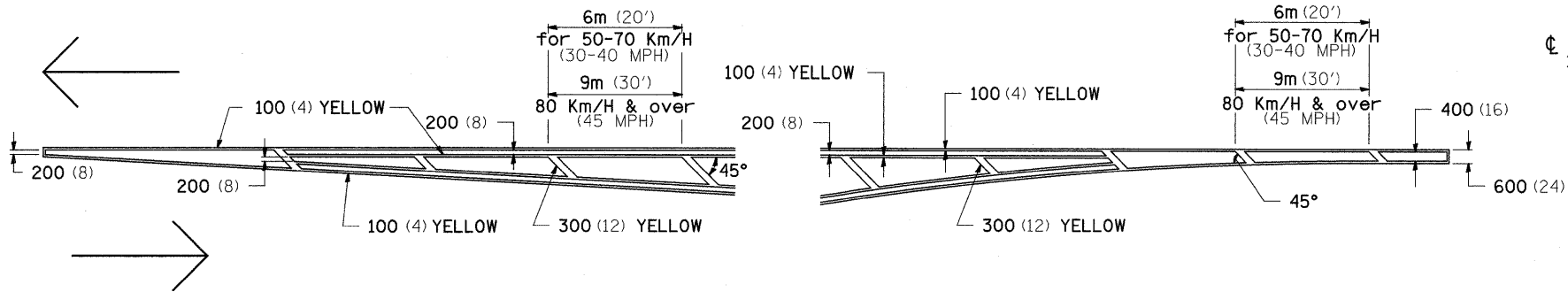
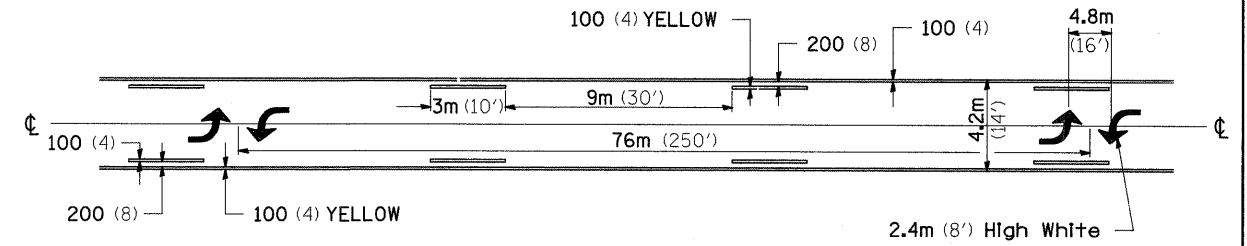


TYPICAL PAVEMENT MARKINGS

TYPICAL PAVEMENT MARKING FOR FLUSH MEDIAN AT LEFT TURN LANE

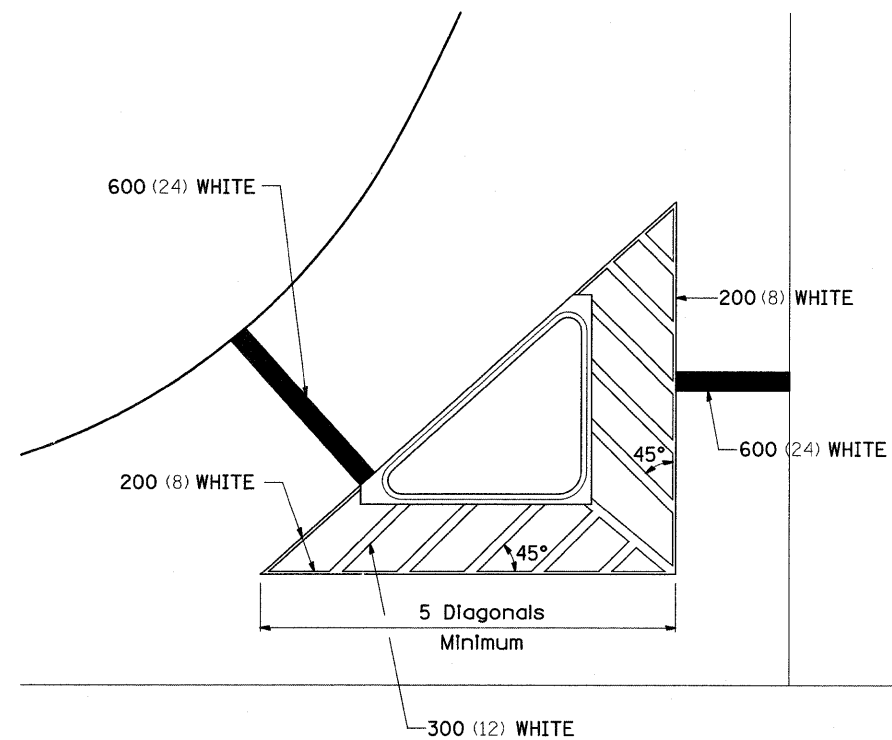


MEDIAN PAVEMENT MARKING

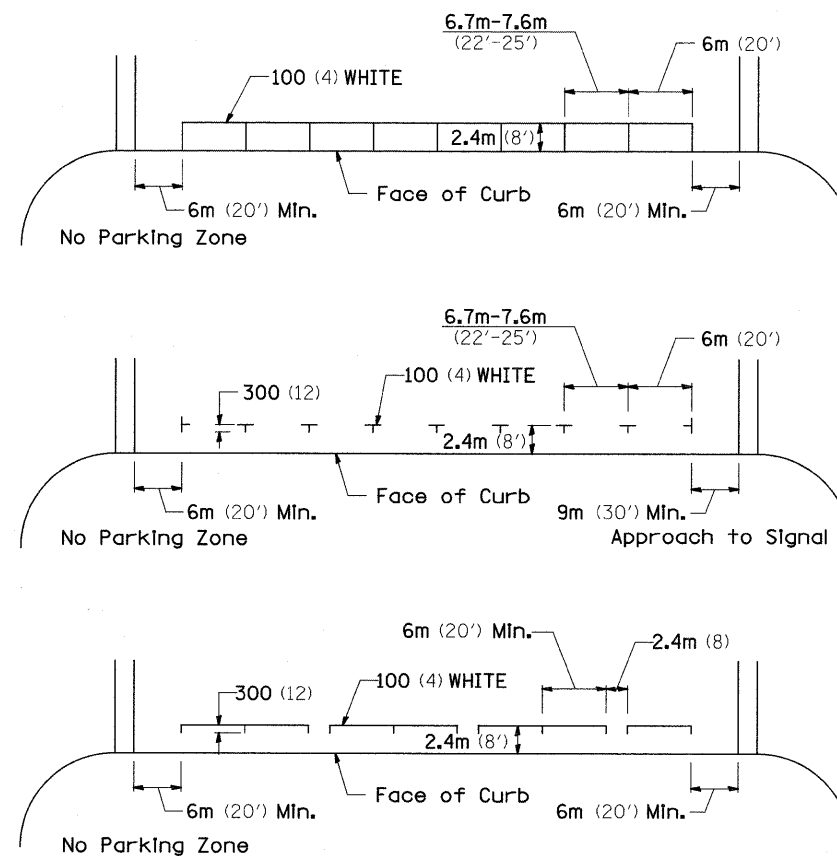


•• ALL DIMENSIONS ARE IN MILLIMETERS (INCHES) UNLESS OTHERWISE NOTED.

TYPICAL ISLAND OFFSET SHOULDER WIDTH

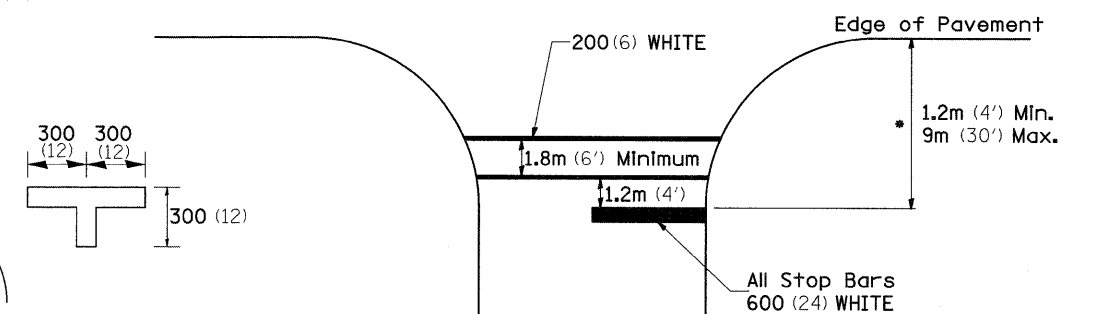


TYPICAL PARKING SPACING



STANDARD CROSSWALK MARKING

See Schedules for Locations



* Distance to the nearest edge of the intersecting roadway in the absence of a marked crosswalk.

FILE NAME =	USER NAME = FordJd	DESIGNED -	REVISED - 10-21-08
c:\pwork\pwidot\FORDJD\dms33831\0264013-shd-details.dgn		DRAWN -	REVISED -
PLOT SCALE = 50.0000 / IN.		CHECKED -	REVISED -
PLOT DATE = Tue Mar 10 08:13:21 2009		DATE -	REVISED -

STATE OF ILLINOIS
DEPARTMENT OF TRANSPORTATION

REGION 2 / DISTRICT 2 STANDARD

F.A.S. RTE.	SECTION	COUNTY	TOTAL SHEETS	SHEET NO.
1188	118T	Henry	52	31
FED. ROAD DIST. NO.		ILLINOIS FED. AID PROJECT		CONTRACT NO. 64D13

SCALE: SHEET NO. OF SHEETS STA. TO STA.