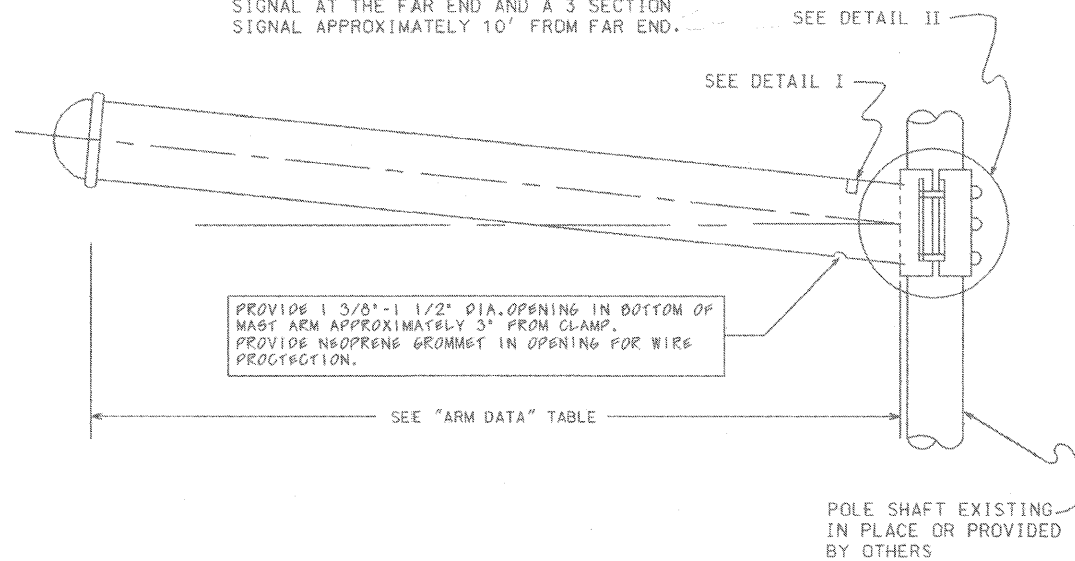


PROVIDE SUFFICIENT MAST ARM RISE (3' MIN.) SO THAT MAST ARM REMAINS SLIGHTLY ABOVE HORIZONTAL WHEN LOADED WITH A 5 SECTION SIGNAL AT THE FAR END AND A 3 SECTION SIGNAL APPROXIMATELY 10' FROM FAR END.



PROVIDE 1 3/8" - 1 1/2" DIA. OPENING IN BOTTOM OF MAST ARM APPROXIMATELY 3" FROM CLAMP. PROVIDE NEOPRENE GROMMET IN OPENING FOR WIRE PROTECTION.



I. D. TAG TO BE MOUNTED ON THE TOP OF THE POLE AS INDICATED, USING 2 "GRIP-NAIL" FASTENERS.

DETAIL I
 I. D. TAG

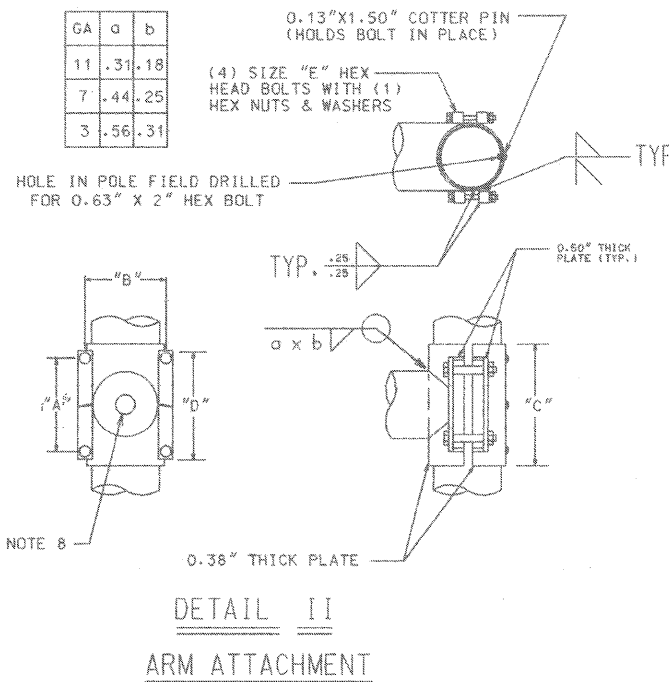
SIGNAL ARM ATTACHMENT DATA					
CLAMP RANGE	"A"	"B"	"C"	"D"	"E"
7.45" - 7.95"	7.25"	9.92"	10.80"	10.32"	1.00" X 7.50"
8.45" - 8.95"	9.00"	10.66"	13.06"	12.50"	1.00" X 8.00"
9.95" - 10.45"	10.25"	12.66"	15.30"	13.50"	1.25" X 8.50"

ARM DATA

CLAMP RANGE (INCHES)	POLE END (INCHES)	SIGNAL END (INCHES)	LENGTH (FEET)	GAUGE	WEIGHT (POUNDS)	TEST LOAD (POUNDS)	MAX. DEFLECTION (INCHES)
7.45-7.95	7.0	4.76	16	7	241	1700	6.5
7.45-7.95	7.0	4.20	20	7	274	1300	12.0
7.45-7.95	7.0	3.36	26	7	315	1000	24.0
8.45-8.95	8.0	3.80	30	7	409	1100	29.0
9.95-10.45	9.0	4.10	35	7	529	1200	36.0
9.95-10.45	9.0	3.40	40	7	559	1000	52.0
9.95-10.45	10.0	3.84	44	7		1200	57.0

NOTES:

- TRAFFIC SIGNAL ARM SHAFT ASTM DESIGNATION: A595 GRADE C, 60,000 PSI MINIMUM YIELD STRENGTH WITH A LINEAR TAPER -0.14"/FT.
- TRAFFIC SIGNAL ARM END CAP SECURED IN PLACE WITH 3 SET SCREWS AND 1 THRU ARM END BOLT. (PLATED HARDWARE)
- ALL THREADED FASTENERS TO BE GALVANIZED TO ASTM DESIGNATION: A153
- ALL VEHICULAR AND/OR PEDESTRIAN SIGNAL LIGHTS AND NECESSARY HARDWARE FOR ATTACHMENT TO BE FIELD LOCATED AND FURNISHED BY OTHERS.
- ALL ARM END CAPS AND ARM CLAMPS TO BE FULLY ASSEMBLED AND ATTACHED TO THE ARM PRIOR TO SHIPPING.
- ARM ASSEMBLY TO BE DEGREASED; CLEANED; CHEMICALLY PRETREATED; GIVEN AN EXTERIOR THERMOSETTING POLYESTER POWDER COAT; AND AN INTERIOR THERMOPLASTIC HYDROCARBON RESIN POWDER COAT. ALL PAINTING TO BE IN ACCORDANCE WITH SPECIFICATION 1454, SECTION 8, "PAINTING".
- MAST ARM SHALL BE TESTED IN ACCORDANCE WITH SPECIFICATION 1454, SECTION 9 WITH TEST VALUES AS SHOWN ON THE "ARM DATA" TABLE.
- HOLE IN CLAMP TO BE 4.0" (MIN.). HOLE TO BE GROUND SMOOTH AND DEBURRED TO PROVIDE A SMOOTH WIRE ENTRY FROM POLE TO MAST ARM.



B	10-29-02	REFERENCES SPEC. 1454
A	8-6-93	WIDE OPENING ON MAST ARM
GATE	REVISION	
SUPERSEDES DWG. DATED DEC. 1991		
STEEL TRAFFIC SIGNAL MAST ARM-MONOTUBE		
CITY OF CHICAGO DEPT. OF STREETS AND SANITATION BUREAU OF ELECTRICITY DIVISION OF ELECTRICAL ENGINEERING		
DRAFTSMAN: R. IVY	CHIEF DRAFTSMAN: ROBERT CARTER	ENGINEER: RON POOL
870		
SIZE: 1/8"	SCALE: 3/8"	DATE: DEC. 1991