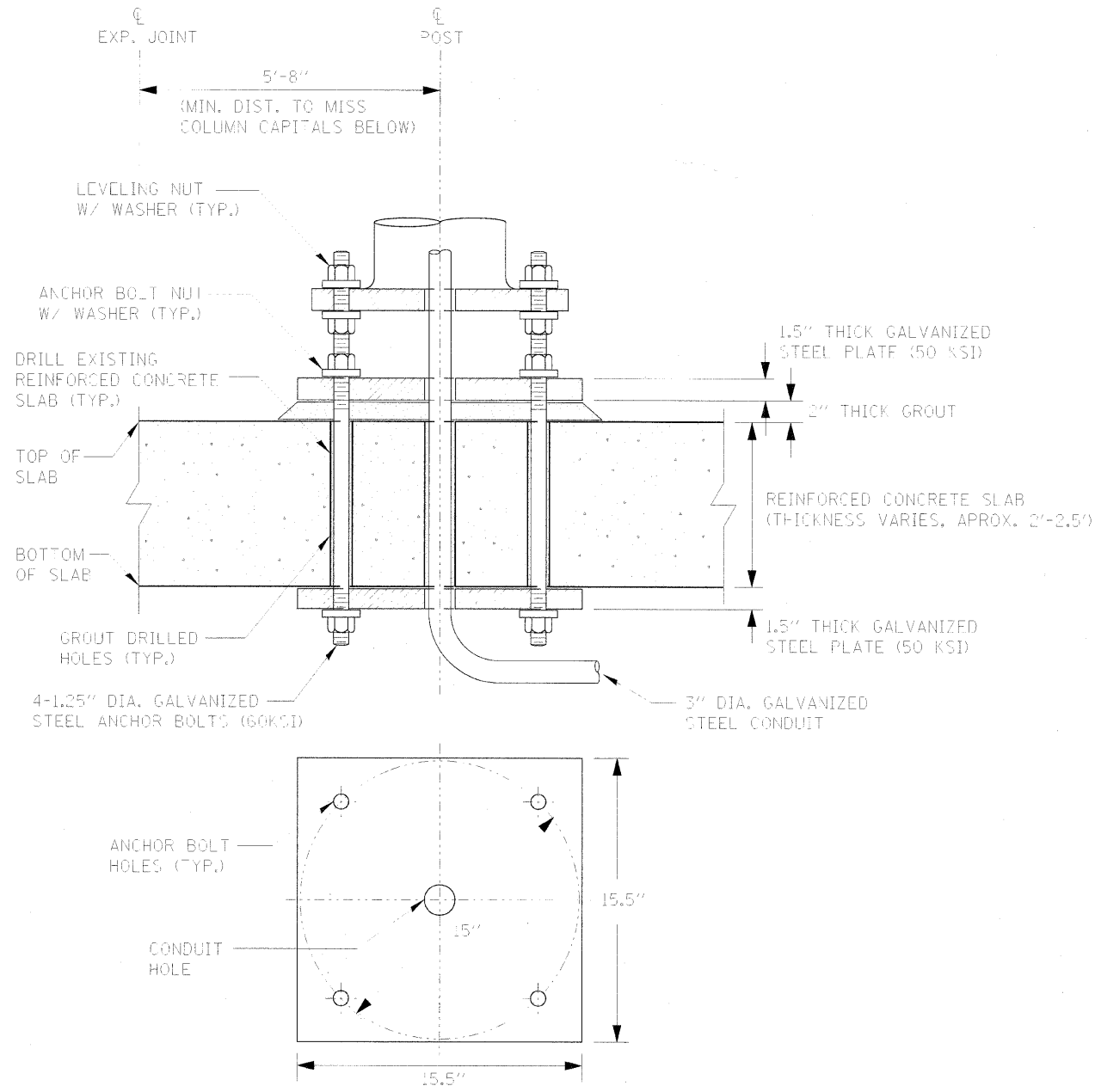


REGINA WEBSTER  
AND ASSOC. INC.  
CIVIL ENGINEERING CONSULTANTS  
1000 North Dearborn Street, Suite 500  
Chicago, Illinois 60610-3869

**RWA**  
Regina Webster & Associates, Inc.



- CONSTRUCTION NOTES:**
- 1) THICKNESS OF EXISTING REINFORCED CONCRETE SLAB SHALL BE VERIFIED IN THE FIELD BY THE CONTRACTOR.
  - 2) CONTRACTOR TO LOCATE CENTERLINE OF POST TO MISS COLUMN CAPITALS BELOW AND VARIOUS CONDUIT RUNS.

TRAFFIC SIGNAL POLE ATTACHED  
TO EXISTING STRUCTURE DETAIL Y-Y

N.T.S.

FILE NAME = 9FILEL4	USER NAME = RUSER1	DESIGNED - JS	REVISED - ---	<b>STATE OF ILLINOIS DEPARTMENT OF TRANSPORTATION</b>	<b>TRAFFIC SIGNAL POLE ATTACHED TO EXIST.STRUCTURE DETAIL Y-Y TRAFFIC SIGNAL IMPROVEMENT PLAN</b>		F.A.P. RTE. 389	SECTION 2009-031-TS	COUNTY COOK	TOTAL SHEETS 13	SHEET NO. 3	
	PLOT SCALE = ASCALE4	CHECKED - JD	REVISED - ---		SCALE: NONE	SHEET NO. 3	OF 13 SHEETS	STA. _____	TO STA. _____	CONTRACT NO. 60631		
	PLOT DATE = 10ATF4	DATE 03/27/09	REVISED - ---		FED. ROAD DIST. NO. _____ ILLINOIS FED. AID PROJECT							