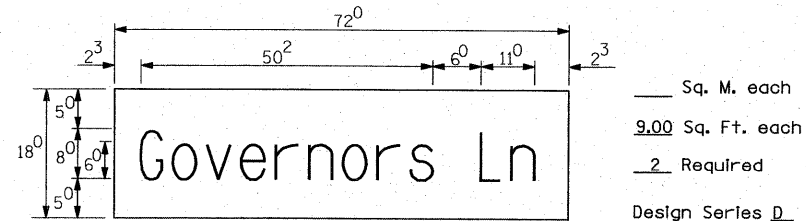
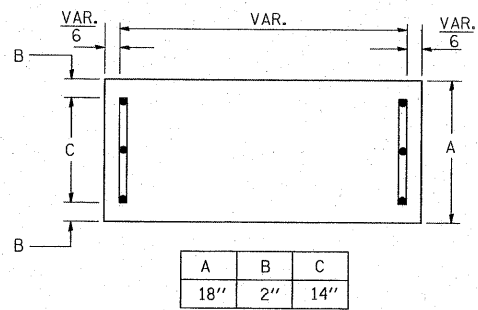


PANEL SIGN DESIGN TYPE 1



SUPPORTING CHANNELS



Upper Case To Lower Case Spacing Chart 8-6 Inch Series "C & D"

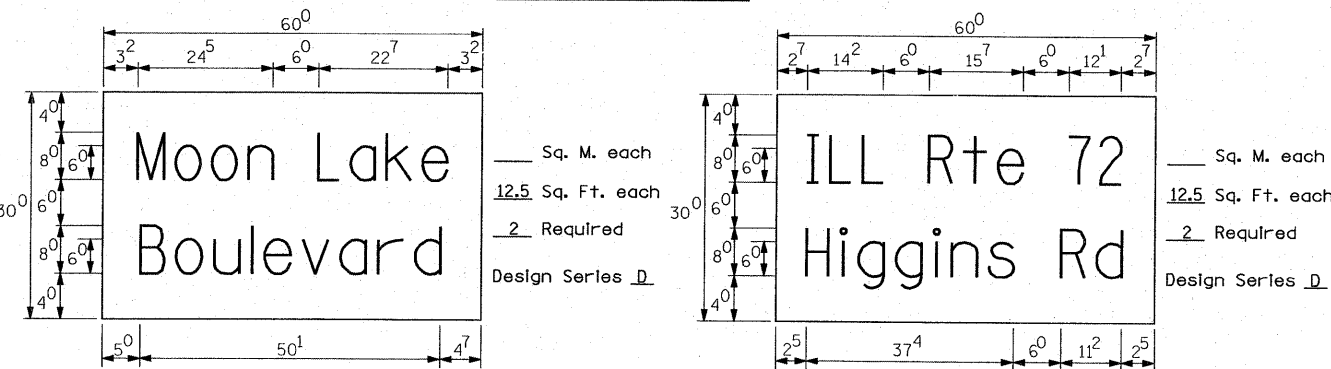
Spacing Chart 8-6 Inch Series "C & D". Table showing letter widths for first and second letters across various series (A-Z).

EXAMPLE, 2³ DENOTES 3/8

UPPER AND LOWER CASE LETTER WIDTHS

Table showing letter widths for 6 inch upper and lower case letters, 8 inch upper case letters, and 6 inch lower case letters.

PANEL SIGN DESIGN TYPE 2

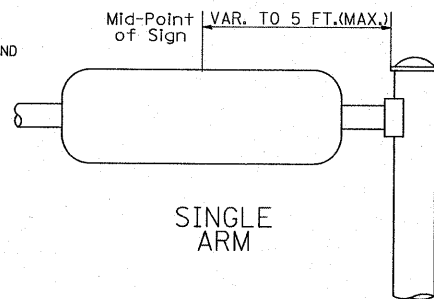


Lower Case To Lower Case Spacing Chart 6 Inch Series "C & D"

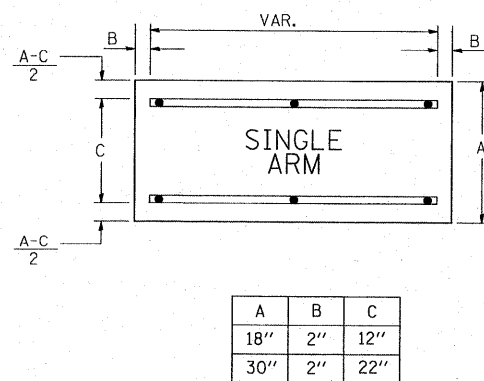
Spacing Chart 6 Inch Series "C & D". Table showing letter widths for first and second letters across various series (a-z).

GENERAL NOTES

- 1. WHERE MAST ARM MOUNTED STREET NAME SIGNS ARE SPECIFIED... 2. ALL SIGNS SHALL HAVE A WHITE REFLECTORIZED LEGEND AND BORDER... 3. THE SIGN LENGTH SHOULD BE INCREASED IN 6-INCH INCREMENTS... 4. ALL BORDERS SHALL BE 3/4" WIDE AND CORNER RADIUS SHALL BE 2-1/4"... 5. SIGNFIX ALUMINUM CHANNEL FRAMING SYSTEM SHALL BE USED...



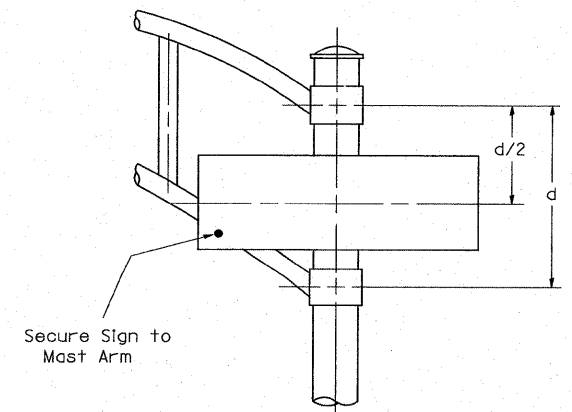
SUPPORTING CHANNELS



Number To Number Spacing Chart 8 Inch Series "C & D"

Number To Number Spacing Chart 8 Inch Series "C & D". Table showing letter widths for first and second numbers across various series (0-9).

Table showing number widths for 6 inch and 8 inch series across various series (C, D).



DUAL ARM

SIGNFIX ALUMINUM CHANNEL FRAMING SYSTEM Shall be used. See Note #5.

Metadata table with fields: FILE NAME, USER NAME, DESIGNED, REVISIONS, DRAWN, CHECKED, DATE.

STATE OF ILLINOIS DEPARTMENT OF TRANSPORTATION

MAST ARM MOUNTED STREET NAME SIGNS

Project information table including: SECTION, COUNTY, TOTAL SHEETS, SHEET NO., CONTRACT NO., FED. ROAD DIST. NO., ILLINOIS FED. AID PROJECT.

