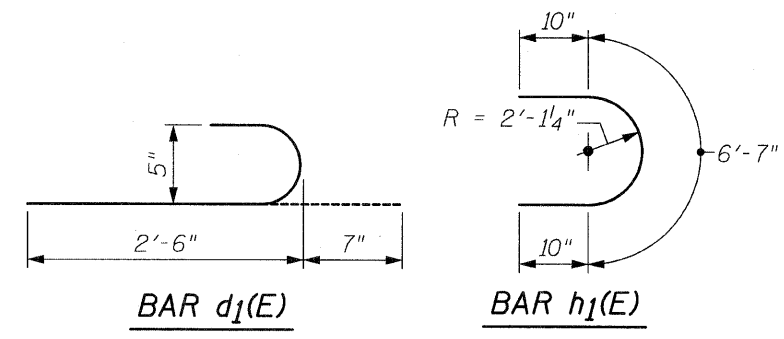
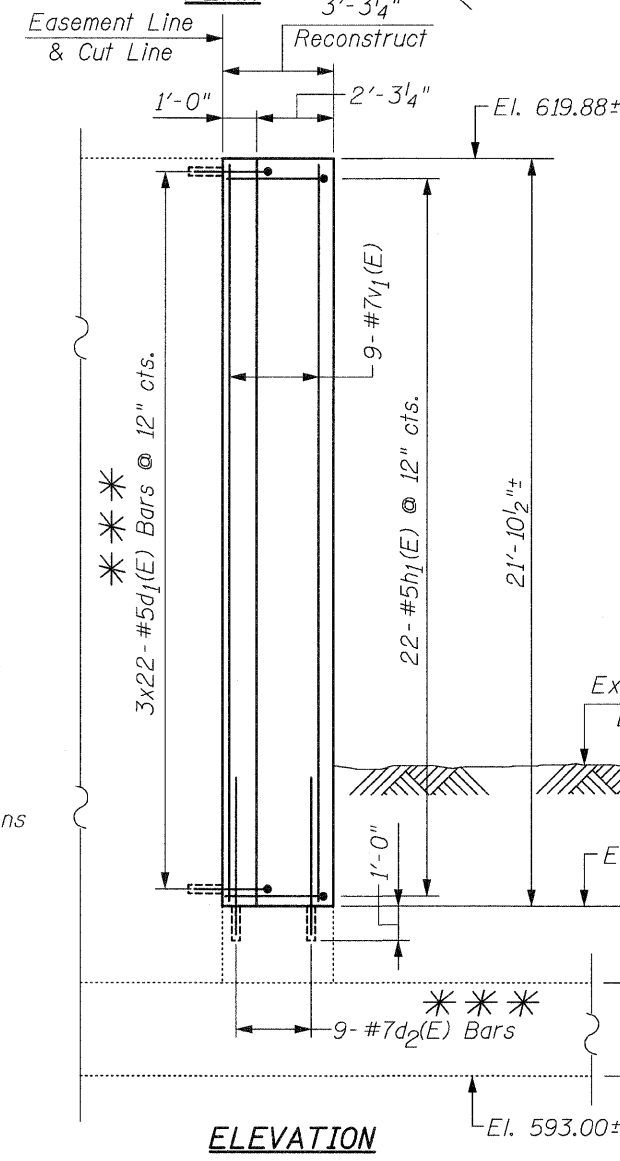


BILL OF MATERIAL

| Bar | No. | Size | Length | Shape |
|----------------------------------|-----|---------|--------|-------|
| d ₁ (E) | 66 | #5 | 3'-1" | |
| d ₂ (E) | 9 | #7 | 4'-7" | |
| h ₁ (E) | 22 | #5 | 8'-3" | |
| v ₁ (E) | 9 | #7 | 21'-7" | |
| Reinforcement Bars, Epoxy Coated | | Pound | 880 | |
| Concrete Structures | | Cu. Yd. | 10.3 | |
| Structure Excavation | | Cu. Yd. | 6.7 | |



Epoxy Grout Reinforcement Bars According to Section 584 of the Standard Specifications

NOTE:
The Contractor must Verify All Dimensions Before Ordering the Material

CR & A
CHRISTIAN-ROGE & ASSOCIATES, INC.
ENGINEERS / PLANNERS / SURVEYORS
211 W. WACKER DRIVE CHICAGO, IL 60606
PHONE: (312)372-2023 FAX: (312)372-5274