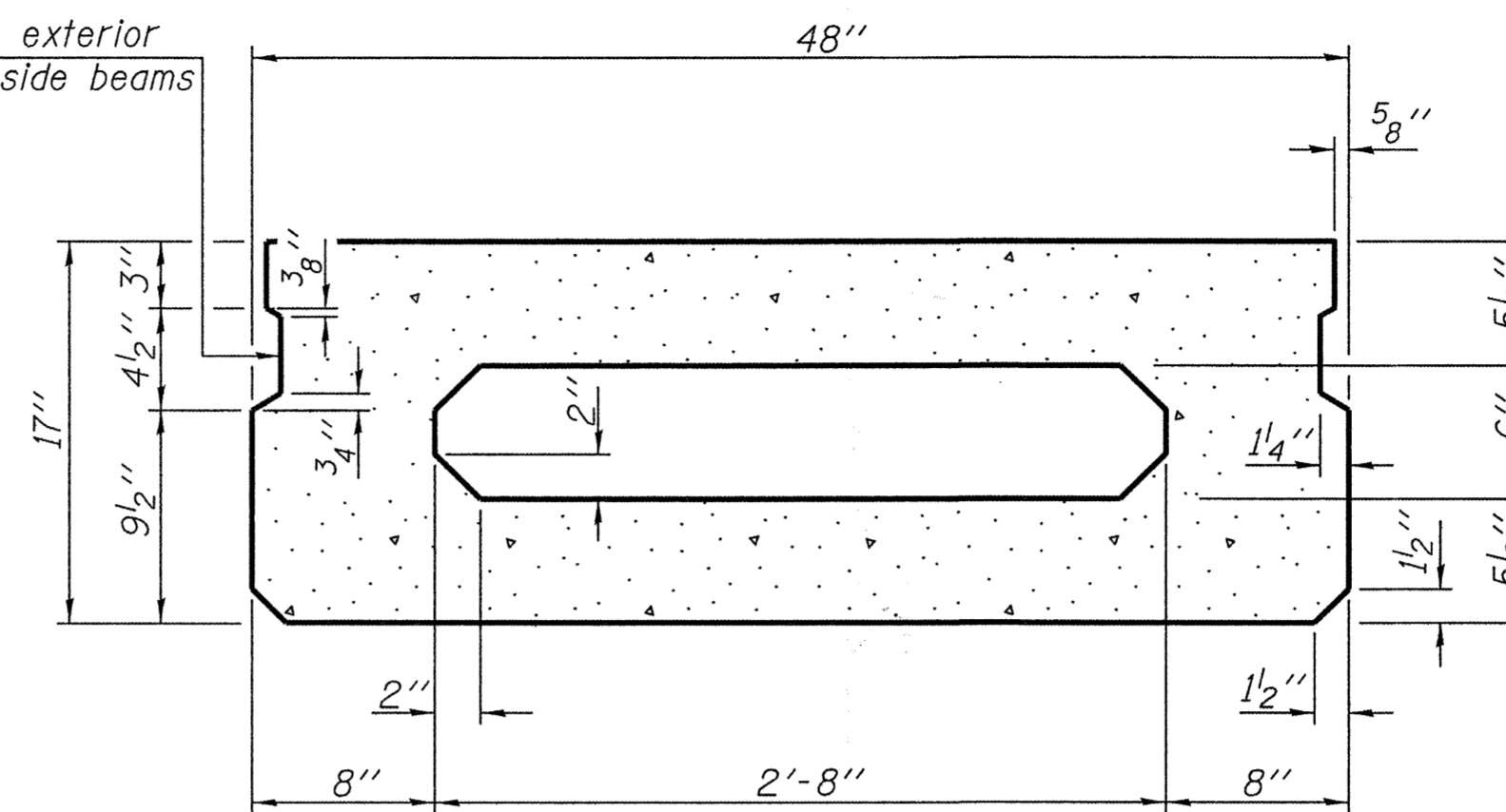
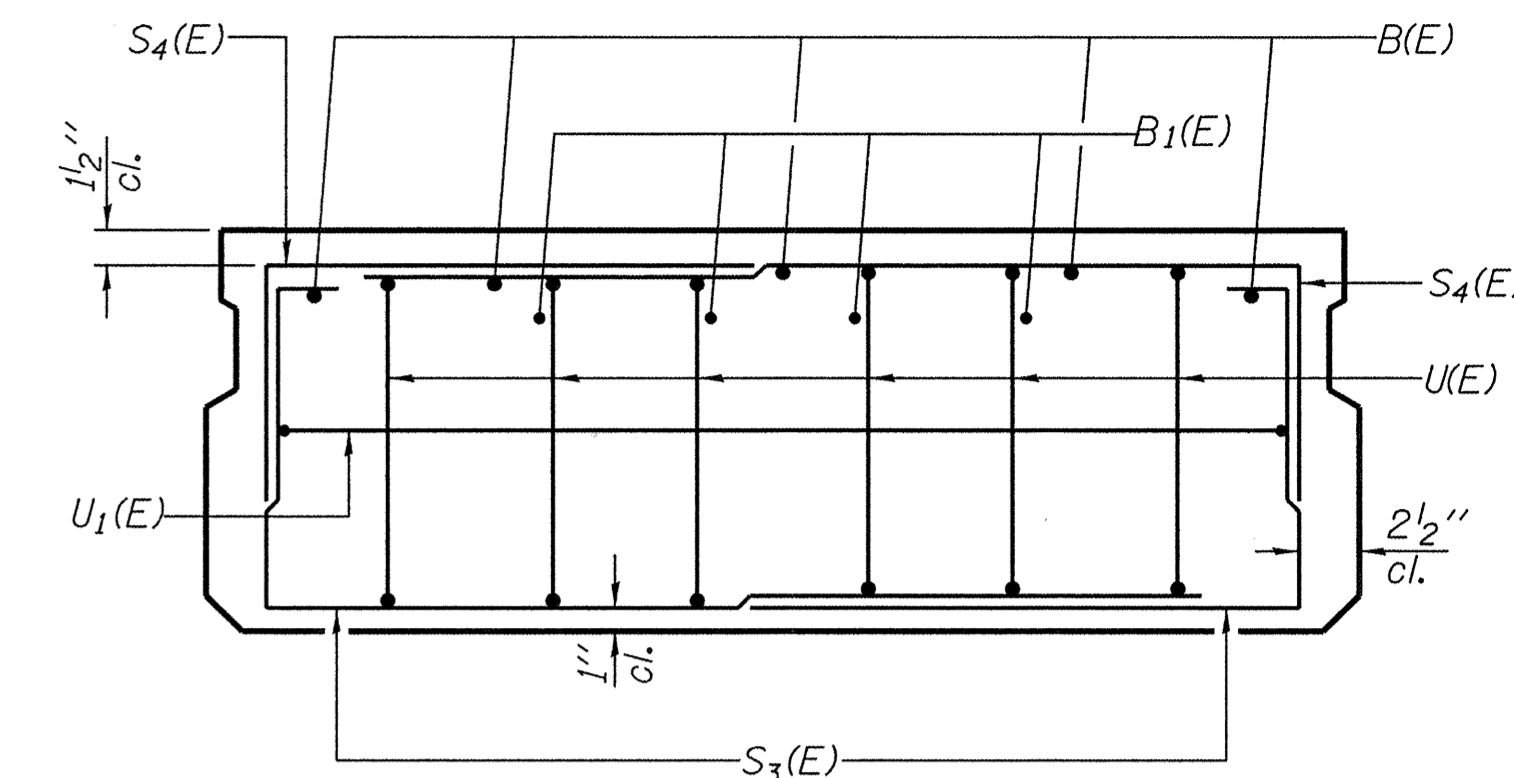


SECTION C-C

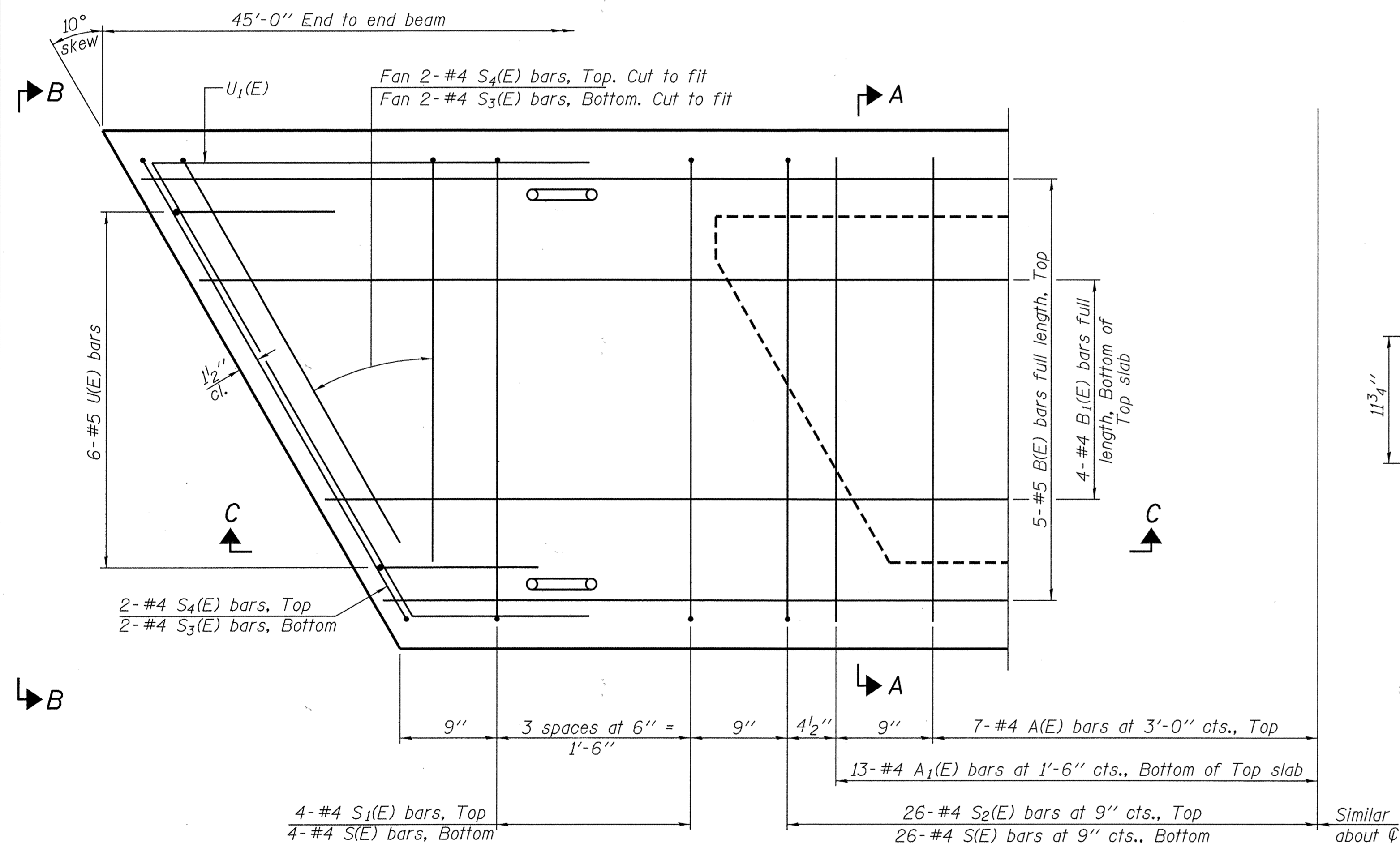
Omit key on exterior face of outside beams



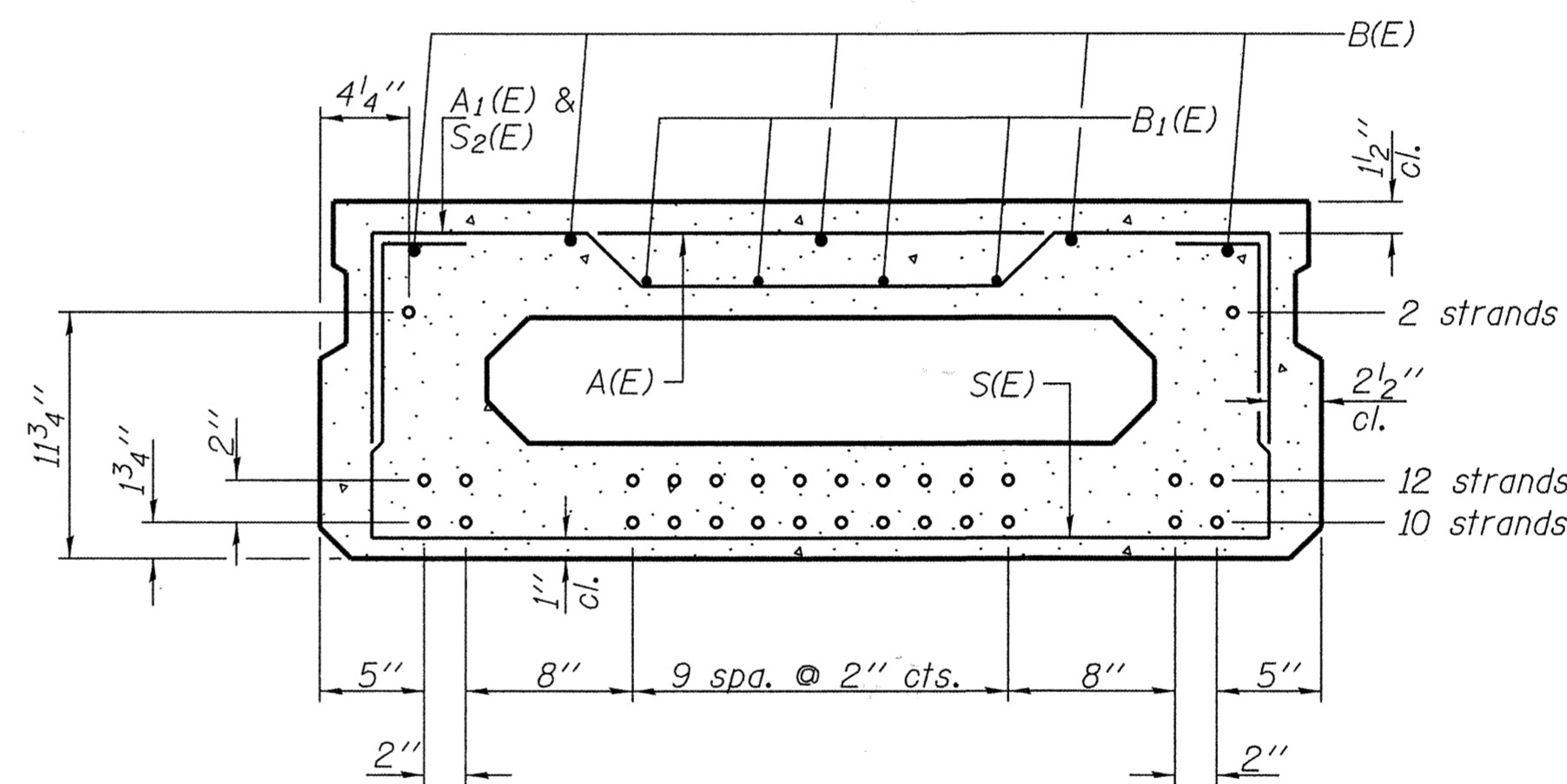
SECTION A-A
(Showing dimensions)



VIEW B-B



PLAN VIEW



SECTION A-A

(Showing reinforcement and permissible strand locations)
Note: Place the number of strands specified in each row symmetrically about the centerline of beam in the permissible strand locations shown.

BAR LIST
ONE BEAM ONLY
(For information only)

Bar	No.	Size	Length	Shape
A(E)	14	#4	3'-7"	—
A1(E)	26	#4	3'-10"	—
B(E)	5	#5	44'-8"	—
B1(E)	4	#4	44'-8"	—
S(E)	60	#4	6'-9"	U
S1(E)	8	#4	5'-3"	U
S2(E)	52	#4	5'-6"	U
S3(E)	8	#4	4'-4"	J
S4(E)	8	#4	3'-7"	J
U(E)	12	#5	3'-8"	U
U1(E)	2	#4	6'-8"	U

Note: See sheets 11 & 12 for additional details and Bill of Material.

Note: Spacing of S(E) and S2(E) bars may be adjusted up to 4" in the immediate area of the transverse tie diaphragms to miss the block outs for the transverse ties.

MINIMUM BAR LAP
#4 bar = 2'-0"
#5 bar = 2'-6"

DESIGNED - A.S.L.
CHECKED - S.W.M.
DRAWN - D.A.B.
CHECKED - S.W.M.

PD-1748-R

11-1-09

HAMPTON, LENZINI AND RENWICK, INC.
CIVIL ENGINEERS - STRUCTURAL ENGINEERS - LAND SURVEYORS
3085 STEVENSON DRIVE, SUITE 201
SPRINGFIELD, ILLINOIS 62703
217.546.3400 www.hlrengineering.com
184.000890
ILLINOIS PROFESSIONAL DESIGN FIRM LS / PE / SE CORPORATION
PROJECT NUMBER: 09.0128 DATE: 02/18/10

T.R.	SECTION	COUNTY	TOTAL SHEETS	SHEET NO.
363	06-11129-00-BR	CLAY	16	10
STANFORD ROAD DISTRICT		CONTRACT NO. 95621		
FED. ROAD DIST. NO.	ILLINOIS FED. AID PROJECT	BROS-025(061)		

SUPERSTRUCTURE
17" x 48" PPC DECK BEAM
STRUCTURE NO. 013-3235