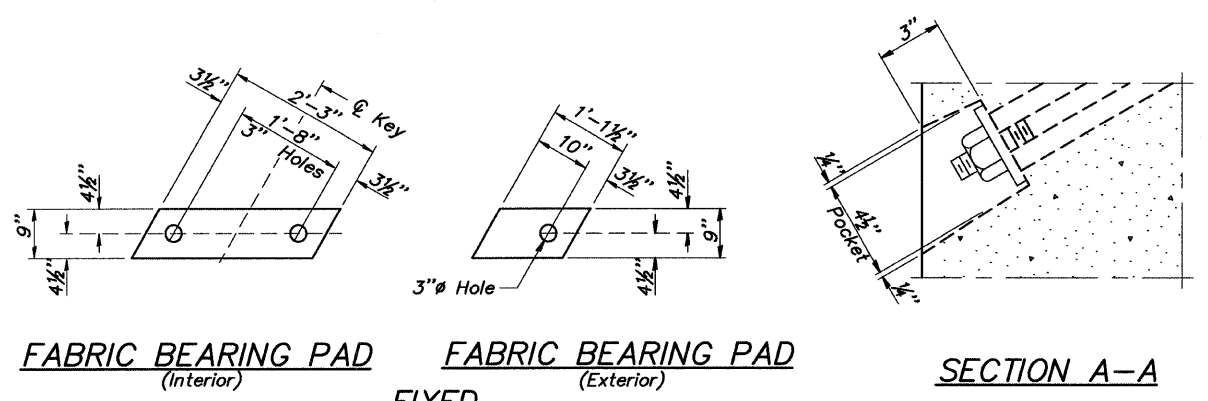
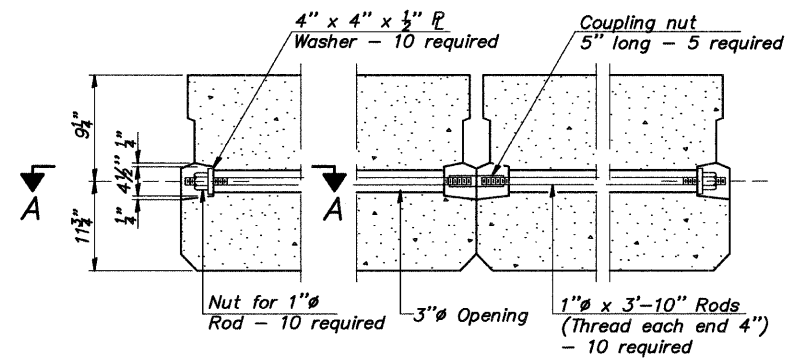


COUNTY	RD. DIST.	SECTION	SHT. NO.
ADAMS	FALL CREEK	09-08111-00-BR	11 OF 14
21" x 48" PPC DECK BEAM DETAILS			
BRIDGE SHEET 4 OF 7			

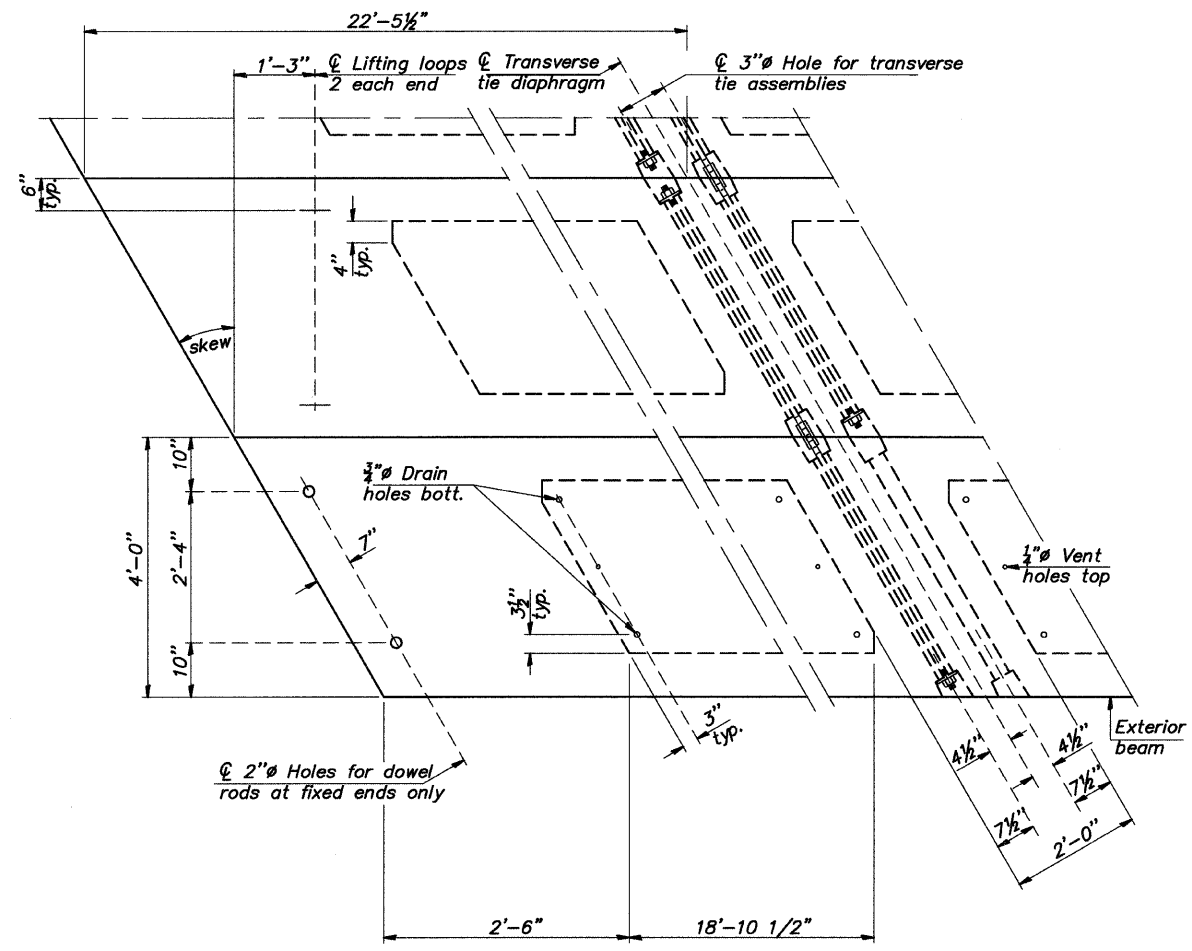
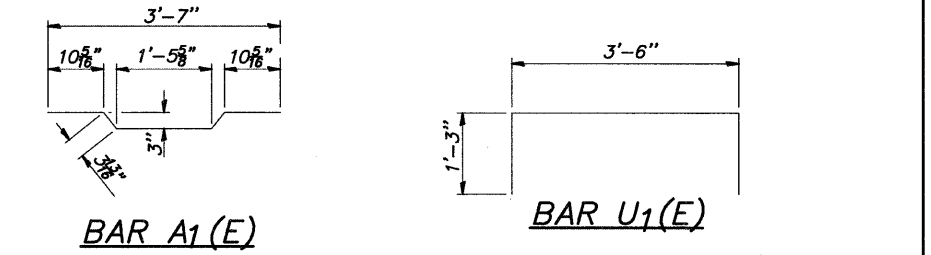
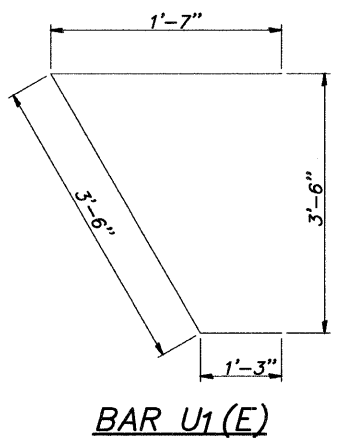
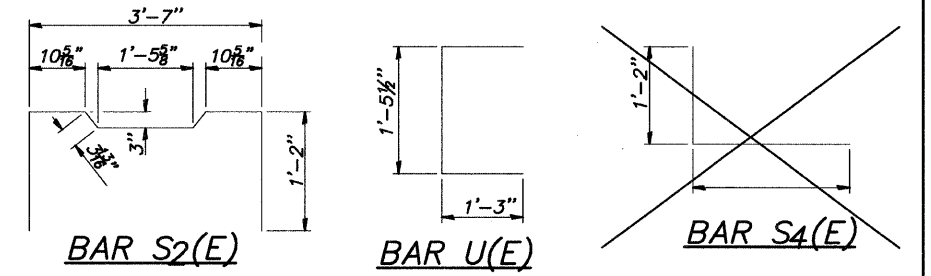
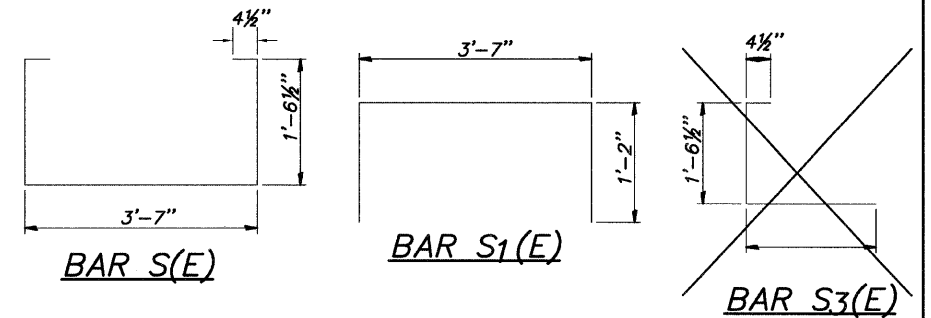


**FABRIC BEARING PAD**  
(Interior)      **FABRIC BEARING PAD**  
(Exterior)

**FIXED**  
Note: Omit holes when using expansion bearings.



**TYPICAL TRANSVERSE TIE ASSEMBLY**

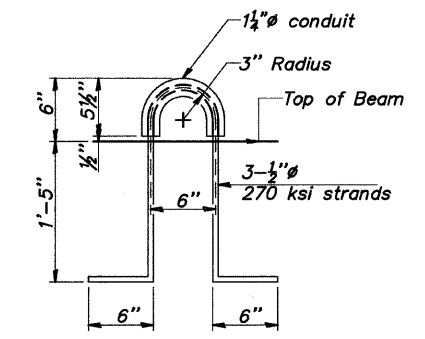


**PLAN VIEW**

Note: Connect beams in pairs with the transverse tie configuration shown.

**NOTES**

- Prestressing steel shall be uncoated high strength, low relaxation 7-wire strand, Grade 270. The nominal diameter shall be 1/2" and the nominal cross-sectional area shall be 0.153 sq. in.
- The 1" rods in the transverse tie assembly shall be tightened to a snug fit and the threads set. Pockets on exterior faces of bridge shall be filled with grout after transverse tie assembly is in place.
- Reinforcement bars shall conform to ASTM A 706, Grade 60. (See Special Provisions).
- Two 1/2" fabric adjusting shims of the dimensions of the exterior bearing pad shall be provided for each bearing pad location.
- A minimum 2 1/2" lifting pin shall be used to engage the lifting loops during handling.
- Corrosion inhibitor, per Article 1020.05(b)(12) and 1021.06 of the Standard Specifications, shall be used in the concrete for precast prestressed concrete deck beams.
- Compressive strength of prestressed concrete, f'c, shall be 6000 psi.
- Compressive strength of prestressed concrete at release, f'ci, shall be 5000 psi.



**LIFTING LOOP DETAIL**

**BILL OF MATERIAL**

Precast Prestressed Concrete Deck Beams (21" depth)	Sq. Ft. 1,080
---	---------------

**21" X 48" PPC DECK BEAM DETAILS**  
**STRUCTURE NO. 001-3430**  
**HARKNESS CREEK**  
**ADAMS COUNTY**  
**FALL CREEK SEC. 09-08111-00-BR**  
**STATION 2+61.20**