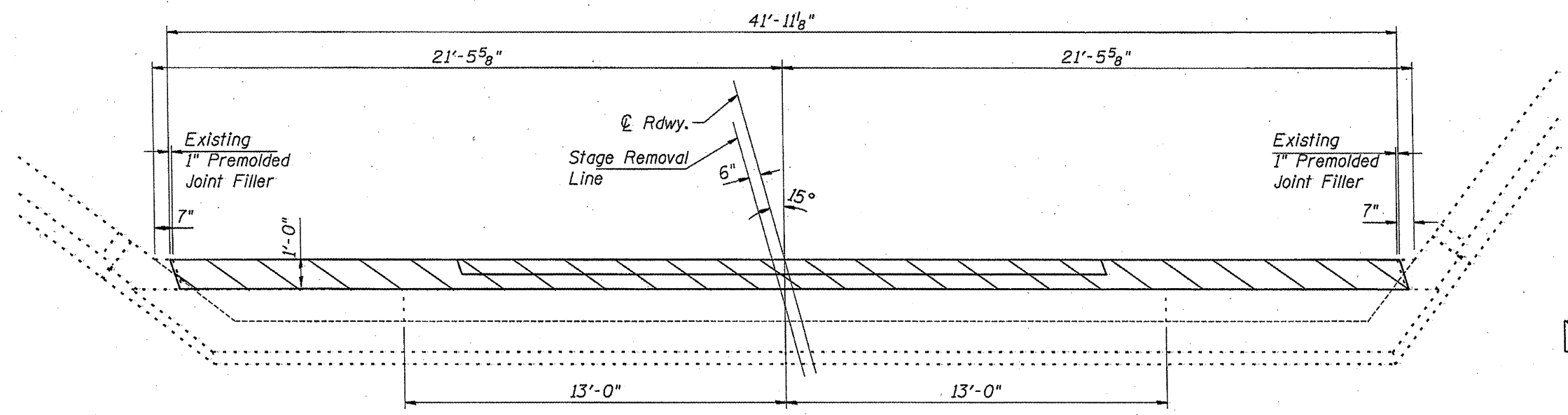


ELEVATION



PLAN

**EAST ABUTMENT
BACKWALL REMOVAL
S.N. 028-0031**

| | | | |
|---|-------------------------------|------------|-----------|
| FILE NAME = | USER NAME = gautneyrk | DESIGNED - | REVISED - |
| cf:\pwwork\pwwiddt\GAUTNEYRK\d0174138\7879-sheets.dgn | | DRAWN - | REVISED - |
| | PLOT SCALE = 2727.3789' / IN. | CHECKED - | REVISED - |
| | PLOT DATE = 4/14/2010 | DATE - | REVISED - |

**STATE OF ILLINOIS
DEPARTMENT OF TRANSPORTATION**

| | | |
|--------------|---------------------------------|--------------------------|
| SCALE: _____ | SHEET NO. _____ OF _____ SHEETS | STA. _____ TO STA. _____ |
|--------------|---------------------------------|--------------------------|

| | | | | |
|--------------------|----------------------------|----------|---------------------------|-----------|
| F.A.P. RTE. | SECTION | COUNTY | TOTAL SHEETS | SHEET NO. |
| 853 | 09 CM BRIDGE REPAIR 2010-2 | FRANKLIN | 15 | 8 |
| CONTRACT NO. 78179 | | | ILLINOIS FED. AID PROJECT | |