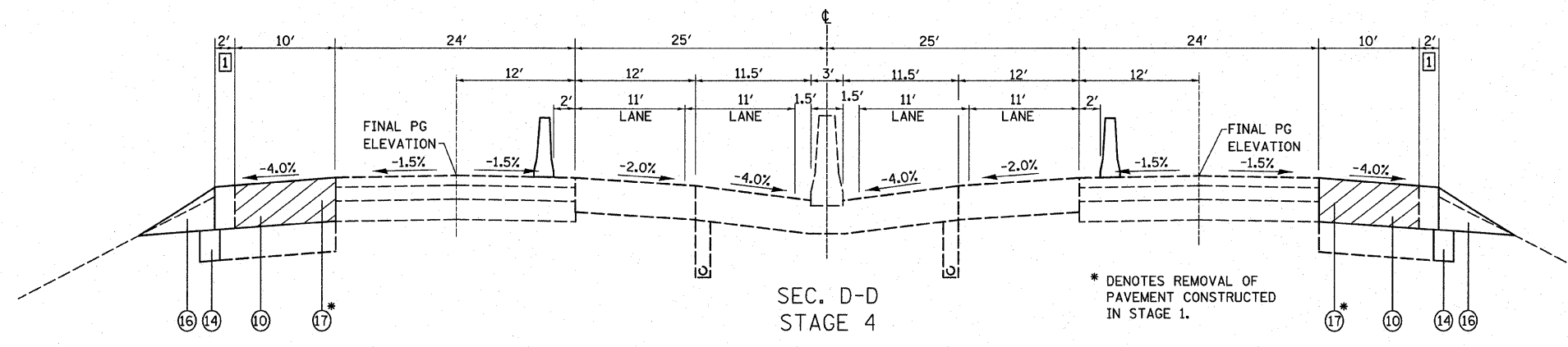
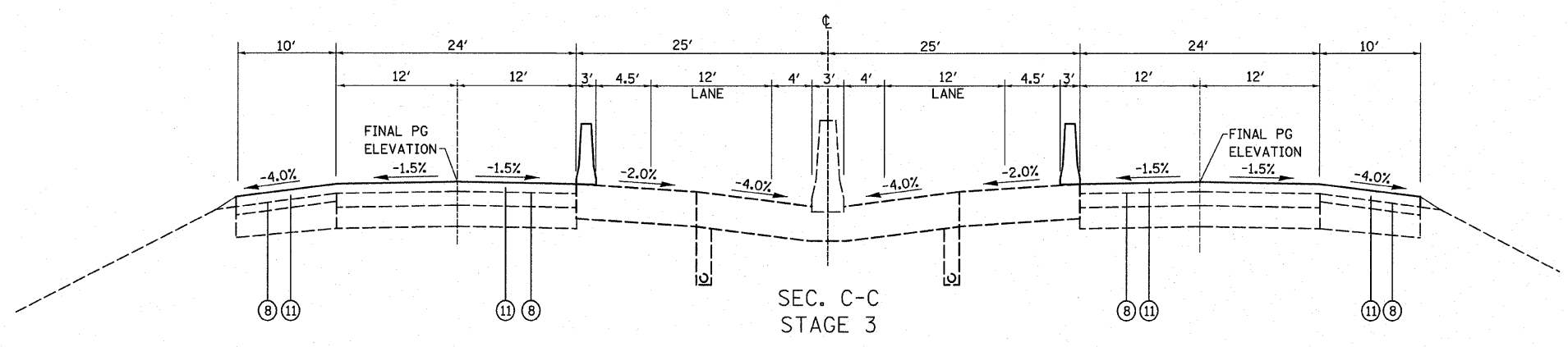


* CONSTRUCT NEW PAVEMENT TO FINAL ELEVATION USING AN EXTRA 2" OF P HMA BC IL19.0 N105



* DENOTES REMOVAL OF PAVEMENT CONSTRUCTED IN STAGE 1.

WORK THIS SHEET WITH SUGGESTED STAGE CONSTRUCTION SHEETS.

① VARIES 0' TO 2'
LT. STA. 117+84.12 TO STA. 118+34.12
RT. STA. 117+84.12 TO STA. 118+34.12

VARIES 2' TO 0'
LT. STA. 121+08.08 TO STA. 121+58.08
RT. STA. 121+08.08 TO STA. 121+58.08

LEGEND

- ① EXISTING RUBBLIZED PCC PAVEMENT 10"
- ② EXISTING BITUMINOUS OVERLAY, 8" BINDER COURSE AND 2" SURFACE COURSE
- ③ EXISTING BITUMINOUS SHOULDER OVERLAY, 6 3/4"
- ④ EXISTING STABILIZED SHOULDERS
- ⑤ EXISTING SUB-SURFACE DRAINS
- ⑥ EXISTING PAVED SHOULDER TO BE REMOVED, ESTIMATED DEPTH 8"
- ⑦ EXISTING BRIDGE APPROACH PAVEMENT TO BE REMOVED
- ⑧ PROPOSED POLYMERIZED BITUMINOUS MATERIALS (PRIME COAT)
- ⑨ PROPOSED POLYMERIZED HOT-MIX ASPHALT SURFACE COURSE, MIX "E", N105, (2")
- ⑩ PROPOSED HOT-MIX ASPHALT BINDER COURSE, IL-19.0, N90, (9/2")
PROPOSED POLYMERIZED HOT-MIX ASPHALT BINDER COURSE, IL-19.0, N105, (2 1/4")
- ⑪ PROPOSED POLYMERIZED HOT-MIX ASPHALT BINDER COURSE, IL-19.0, N105, (VARIABLE DEPTH)
- ⑫ PROPOSED PIPE UNDERDRAINS 4"
- ⑬ PROPOSED CONCRETE BARRIER, DOUBLE FACE, 42 INCH HEIGHT
- ⑭ PROPOSED SUB-BASE GRANULAR MATERIAL, TYPE B 12"
- ⑮ PROPOSED LIME MODIFIED SOIL, 12"
- ⑯ PROPOSED AGGREGATE SHOULDERS, TYPE B
- ⑰ PROPOSED PAVEMENT REMOVAL, 11 3/4"
- ⑱ PROPOSED PIPE UNDERDRAIN REMOVAL
- ⑲ PROPOSED HOT-MIX ASPHALT SURFACE REMOVAL, 2"
- ⑳ PROPOSED HOT-MIX ASPHALT SHOULDERS, 2"
- ㉑ PROPOSED SHOULDER RUMBLE STRIP

FILE NAME = H:\P\2586p2\Technical_Production\Civil\	USER NAME = moistegroser	DESIGNED -	REVISED -	STATE OF ILLINOIS DEPARTMENT OF TRANSPORTATION	SUGGESTED STAGING SECTIONS I-57 OVER 7TH ST / C&E RAILROAD	F.A.I. RTE. 57	SECTION (28-5)VB-1	COUNTY FRANKLIN	TOTAL SHEETS 81	SHEET NO. 16	
Microstation\Sec285VB\stgpn285vbdgn	DRAWN -	REVISED -	SCALE: 1" = 20'			SHEET NO. 1 OF 6 SHEETS	STA. TO STA.	CONTRACT NO. 78157			
PLOT SCALE = 50.0000' / IN.	CHECKED -	REVISED -						FED. ROAD DIST. NO. ILLINOIS FED. AID PROJECT			
PLOT DATE = 3/15/2010	DATE -	REVISED -									