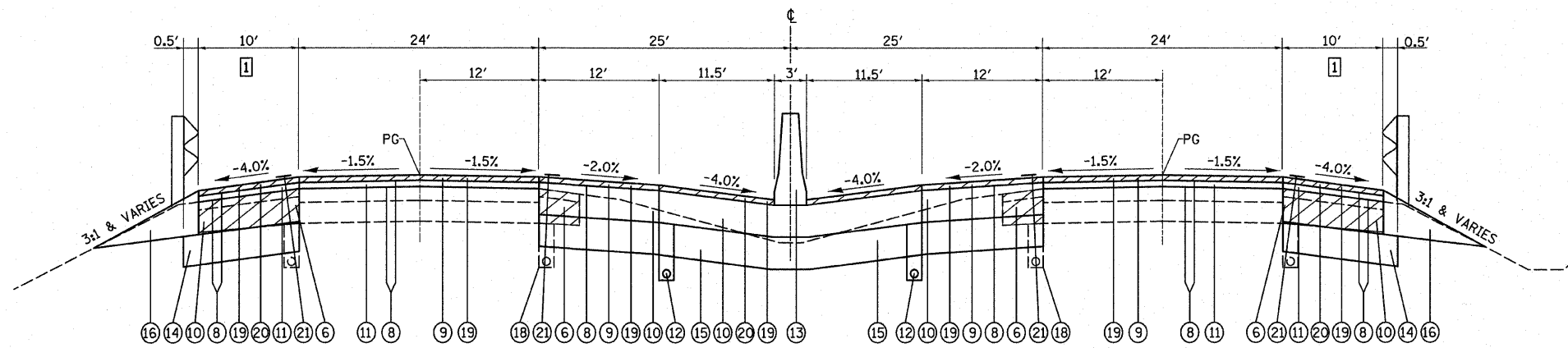
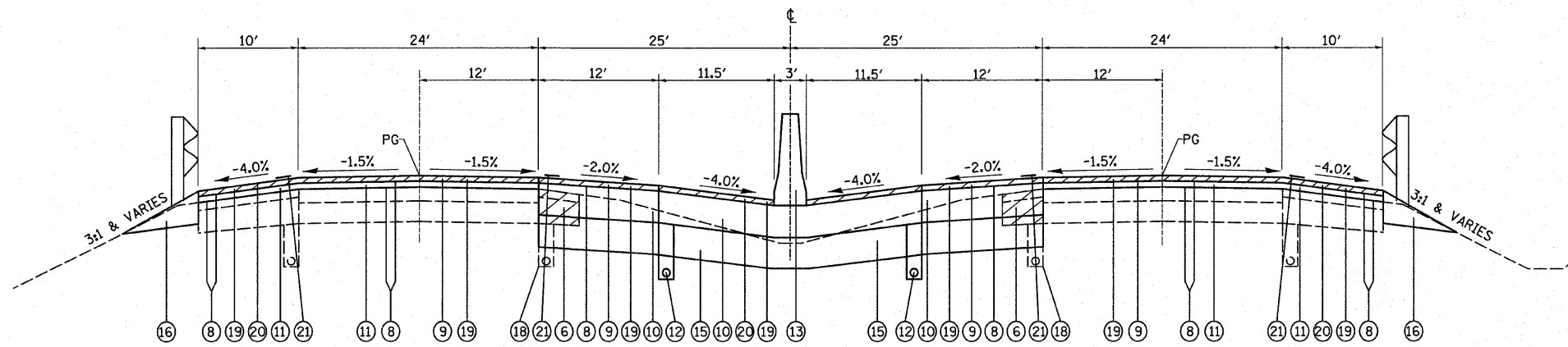


PROPOSED TYPICAL SECTION FAI ROUTE 57
 STA. 118+34.12 TO STA. 118+48.93
 STA. 120+93.43 TO STA. 121+08.08
 STRUCTURE & BRIDGE APPROACH PAVEMENT OMISSION:
 STA. 118+48.93 TO STA. 120+93.43

NOTE: THE VARIOUS HOT-MIX ASPHALT PAVEMENT CALLOUTS SHOWN ON THIS SECTION WILL BE PAID FOR IN SQUARE YARDS AS BRIDGE APPROACH PAVEMENT CONNECTOR (FLEXIBLE).



PROPOSED TYPICAL SECTION FAI ROUTE 57
 STA. 116+00.00 TO STA. 118+34.12
 STA. 121+08.08 TO STA. 123+40.00



PROPOSED TYPICAL SECTION FAI ROUTE 57
 STA. 112+50.00 TO STA. 116+00.00
 STA. 123+40.00 TO STA. 124+50.00

1 VARIES 10' TO 12'
 LT. STA. 117+84.12 TO STA. 118+34.12
 RT. STA. 117+84.12 TO STA. 118+34.12

 VARIES 12' TO 10'
 LT. STA. 121+08.08 TO STA. 121+58.08
 RT. STA. 121+08.08 TO STA. 121+58.08

LEGEND

- 1 EXISTING RUBBLIZED PCC PAVEMENT 10"
- 2 EXISTING BITUMINOUS OVERLAY, 8" BINDER COURSE AND 2" SURFACE COURSE
- 3 EXISTING BITUMINOUS SHOULDER OVERLAY, 6 3/4"
- 4 EXISTING STABILIZED SHOULDERS
- 5 EXISTING SUB-SURFACE DRAINS
- 6 EXISTING PAVED SHOULDER TO BE REMOVED, ESTIMATED DEPTH 8"
- 7 EXISTING BRIDGE APPROACH PAVEMENT TO BE REMOVED
- 8 PROPOSED POLYMERIZED BITUMINOUS MATERIALS (PRIME COAT)
- 9 PROPOSED POLYMERIZED HOT-MIX ASPHALT SURFACE COURSE, MIX "E", N105, (2")
- 10 PROPOSED HOT-MIX ASPHALT BINDER COURSE, IL-19.0, N90, (9/2")
 PROPOSED POLYMERIZED HOT-MIX ASPHALT BINDER COURSE, IL-19.0, N105, (2/4")
- 11 PROPOSED POLYMERIZED HOT-MIX ASPHALT BINDER COURSE, IL-19.0, N105, (VARIABLE DEPTH)
- 12 PROPOSED PIPE UNDERDRAINS 4"
- 13 PROPOSED CONCRETE BARRIER, DOUBLE FACE, 42 INCH HEIGHT
- 14 PROPOSED SUB-BASE GRANULAR MATERIAL, TYPE B 12"
- 15 PROPOSED LIME MODIFIED SOIL, 12"
- 16 PROPOSED AGGREGATE SHOULDERS, TYPE B
- 17 PROPOSED PAVEMENT REMOVAL, 11 3/4"
- 18 PROPOSED PIPE UNDERDRAIN REMOVAL
- 19 PROPOSED HOT-MIX ASPHALT SURFACE REMOVAL, 2"
- 20 PROPOSED HOT-MIX ASPHALT SHOULDERS, 2"
- 21 PROPOSED SHOULDER RUMBLE STRIP

FILE NAME = H:\P\25086p2\Technical_Production\Civil\	USER NAME = maisegroser	DESIGNED -	REVISED -	STATE OF ILLINOIS DEPARTMENT OF TRANSPORTATION	EXISTING & PROPOSED TYPICAL SECTIONS I-57 OVER 7TH ST / C&E RAILROAD	F.A.I. RTE.	SECTION	COUNTY	TOTAL SHEETS	SHEET NO.
Microstation\Sec285VB\typ285vb.dgn	DRAWN -	REVISED -	57			(28-5)VB-1	FRANKLIN	81	9	
PLOT SCALE = 50,000' / IN.	CHECKED -	REVISED -	CONTRACT NO. 78157							
PLOT DATE = 3/15/2010	DATE -	REVISED -	SCALE:			SHEET NO. 2 OF 2 SHEETS	STA. TO STA.	FED. ROAD DIST. NO.	ILLINOIS FED. AID PROJECT	