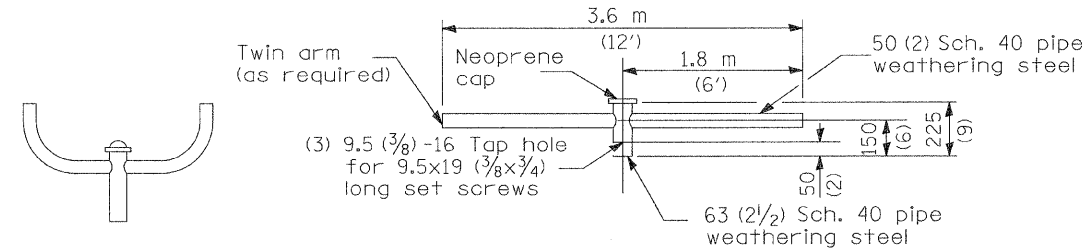


The contractor shall furnish and install a light pole identification of each new light pole, as shown above, incidental to the respective light pole pay item. The numerals shall be 75 (3) series "D", black, screened on silver-white type B pressure sensitive reflective sheeting conforming to the requirements of section T602.01 of the Standard Specifications for Traffic Control Items. The numerals shall conform to the FHWA "Standard Alphabets for Highway Signs".

The light pole identification shall be applied to sign base material as specified in section 1069.06 of the Standard Specifications, approximately 180 (7) above the adjacent pavement grade visible to approaching traffic in accordance with Highway Standard 720001.



TWIN TENON

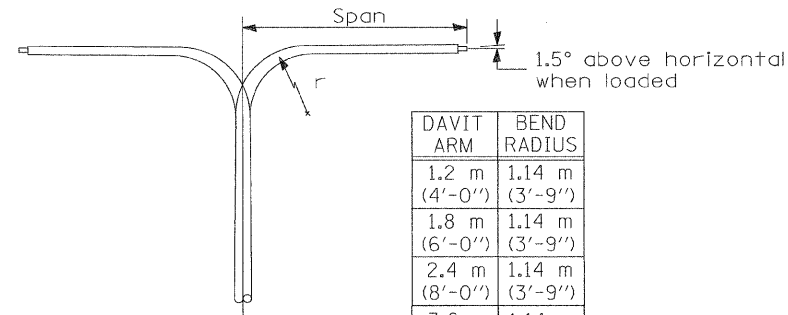
TENON MOUNT BRACKET ARM

NOTE: Single or twin arm assembly shall be tilted 3° above horizontal.

TENON

SHORT BRACKET

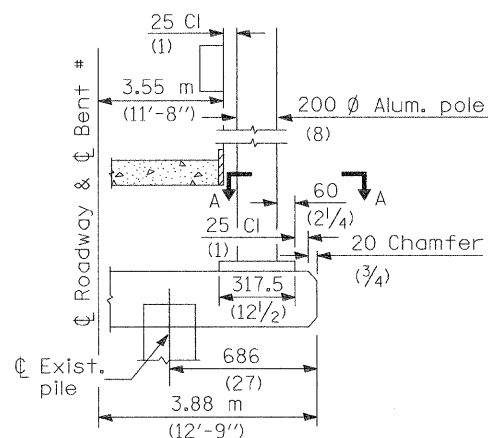
SHORT BRACKET - TWIN



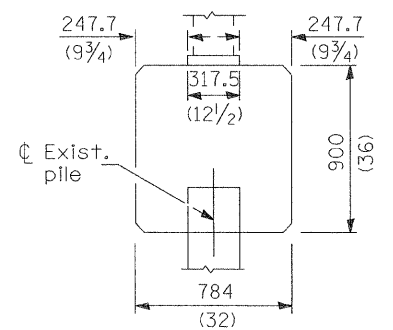
DAVIT ARM

DAVIT ARM-TWIN

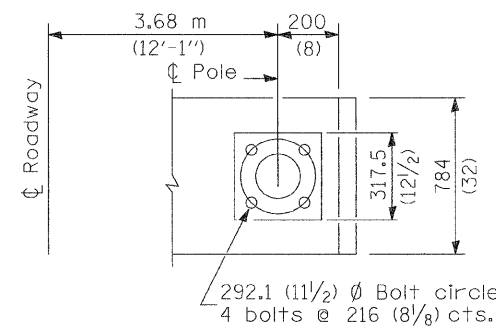
DAVIT ARM	BEND RADIUS
1.2 m (4'-0")	1.14 m (3'-9")
1.8 m (6'-0")	1.14 m (3'-9")
2.4 m (8'-0")	1.14 m (3'-9")
3.6 m (12'-0")	1.14 m (3'-9")



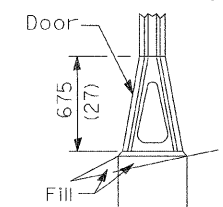
BENT #
(Looking)



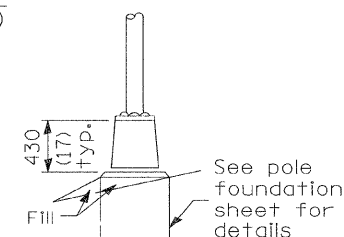
BRIDGE PIER MOUNT



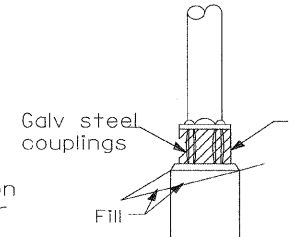
SECTION A-A



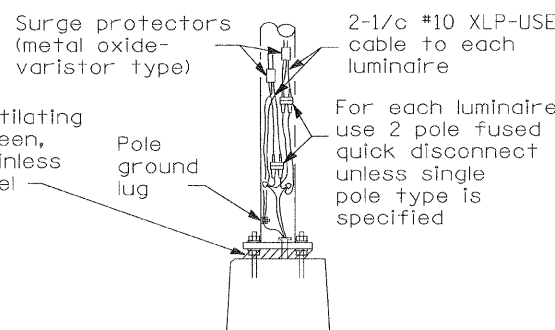
STAINLESS STEEL FLAIR BASE



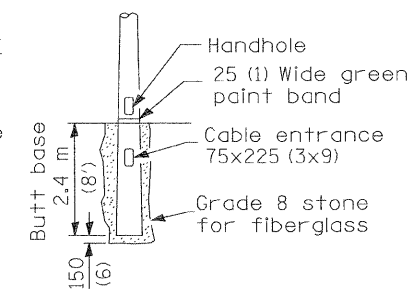
TRANSFORMER BASE



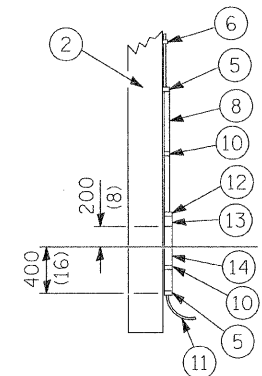
BREAKAWAY COUPLING



ANCHOR



BUTT BASE



POLE, WOOD

POLE LENGTH	DEPTH IN GROUND
19.8 m (65')	3.6 m (12')
18.0 m (60')	3.0 m (10')
16.8 m (55')	2.7 m (9')
16.0 m (50')	2.4 m (8')
13.7 m (45')	2.1 m (7')
12.0 m (40')	2.0 m (6.5')
10.7 m (35')	1.8 m (6')
9.0 m (30')	1.7 m (5.5')

All dimensions are in millimeters (inches) unless otherwise shown.

Contract 78060

DRAFT COPY
not for distribution

FRANGIBLE

METAL OR CONCRETE

Details for underground distribution if required

DATE	REVISIONS
	Corrected 6/24/09

POLE STANDARDS

DRAFT

LGT008.M32