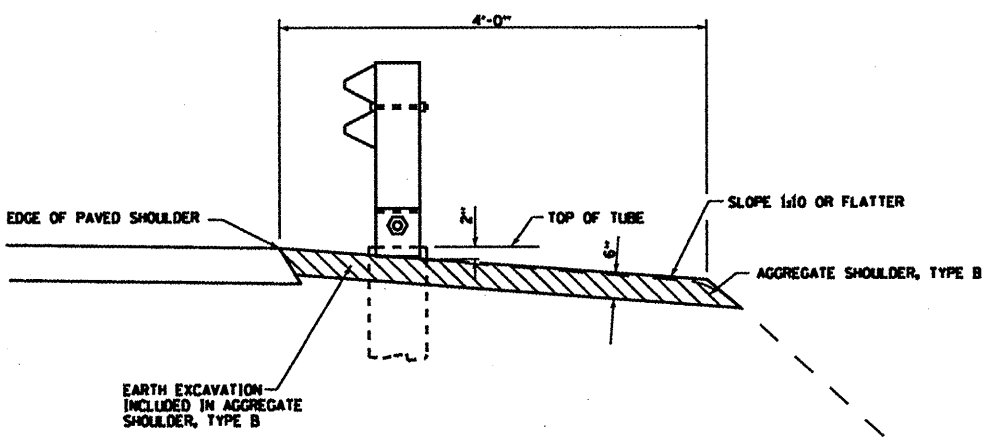


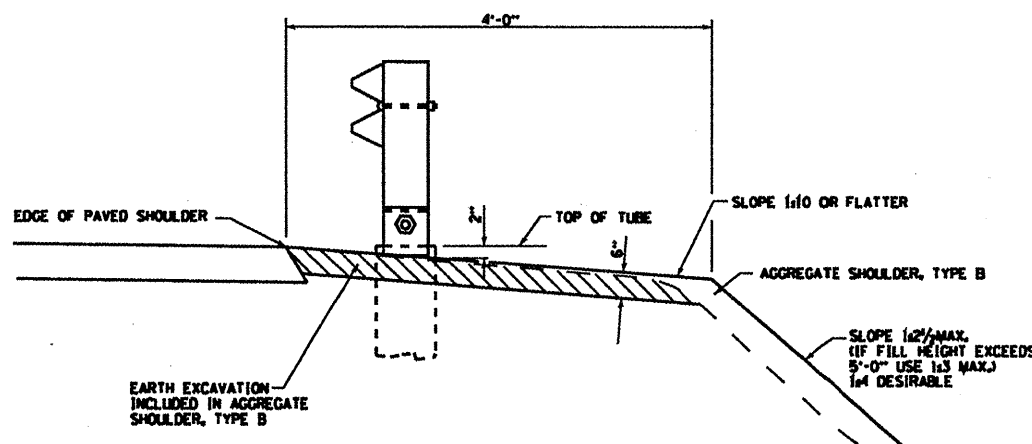
NOTE:
POSTS 1 THRU 8 HAVE
STEEL FOUNDATION TUBES.

TAPER FACE OF GUARDRAIL FROM POST
9 TO POST 1 SO THAT EDGE OF GUARDRAIL
EXTRUDER TERMINAL IS FLUSH WITH OR
SLIGHTLY OUTSIDE OF THE EDGE OF SHOULDER.

TRAFFIC BARRIER TERMINAL TYPE 1 (SPECIAL)



SECTION A-A ALTERNATE 1
(IMPACT HEAD OMITTED FOR CLARITY.)



SECTION A-A ALTERNATE 2
(IMPACT HEAD OMITTED FOR CLARITY.)

FILE NAME wpl	USER NAME	DESIGNED	REVISED	STATE OF ILLINOIS DEPARTMENT OF TRANSPORTATION	GUARDRAIL DETAILS	F.A. J. RTE. 9128	SECTION	COUNTY	TOTAL SHEETS	SHEET NO.
	PLOT SCALE	DRAWN	REVISED				20RS-6	MADISON	33	27
	PLOT DATE	CHECKED	REVISED				CONTRACT NO. 76084		ILLINOIS FED. AID PROJECT	
		DATE	REVISED				SCALE: NONE	SHEET NO. 1 OF 1 SHEETS	STA.	TO STA.