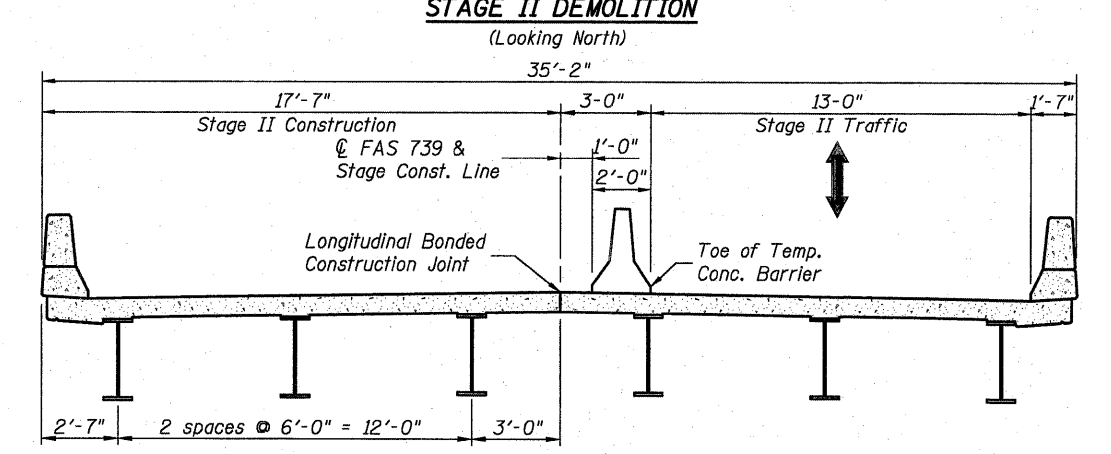
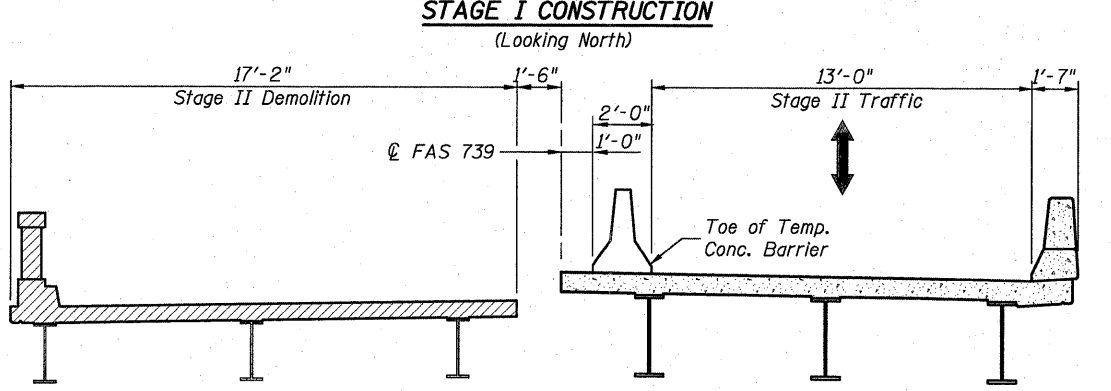
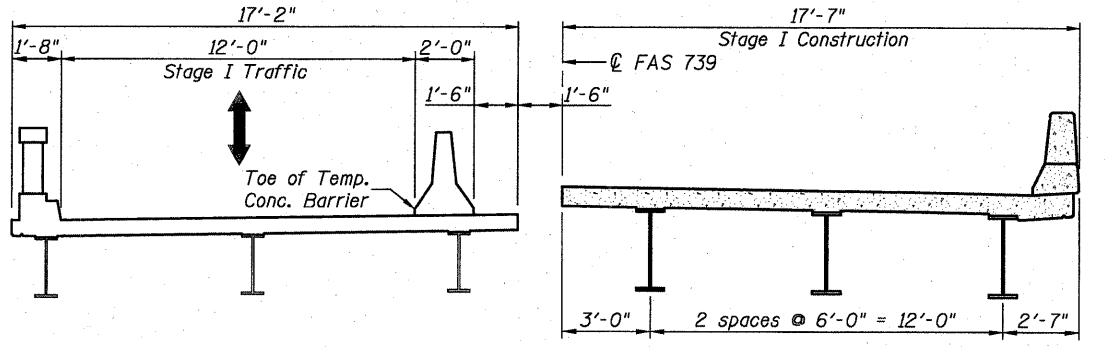
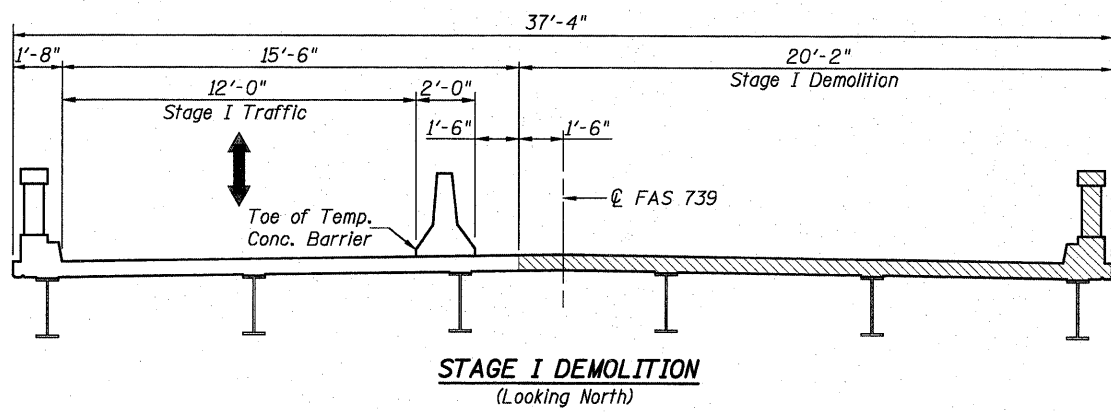
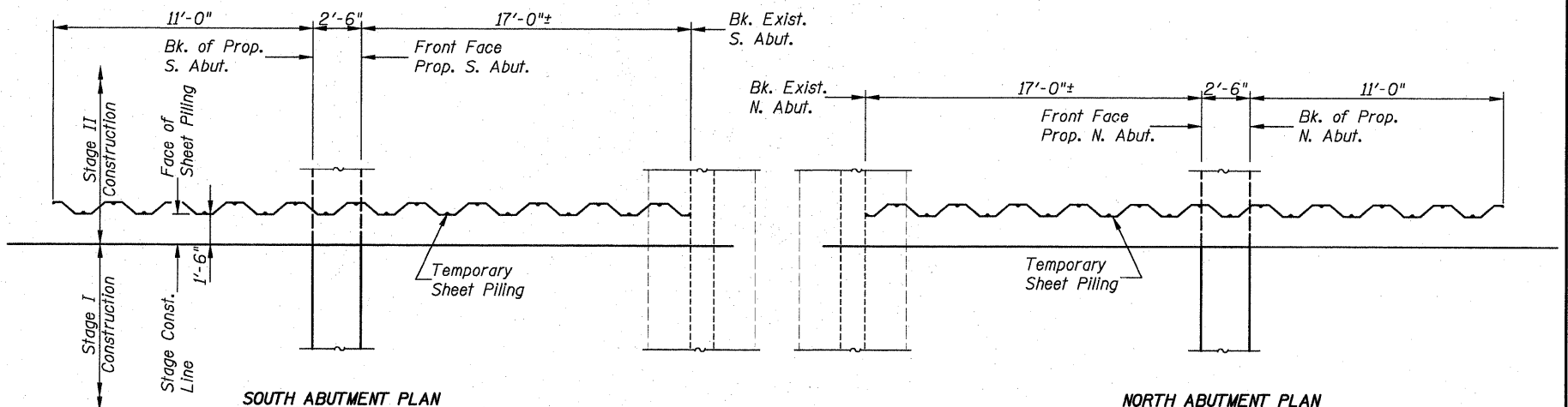


STATE OF ILLINOIS
DEPARTMENT OF TRANSPORTATION



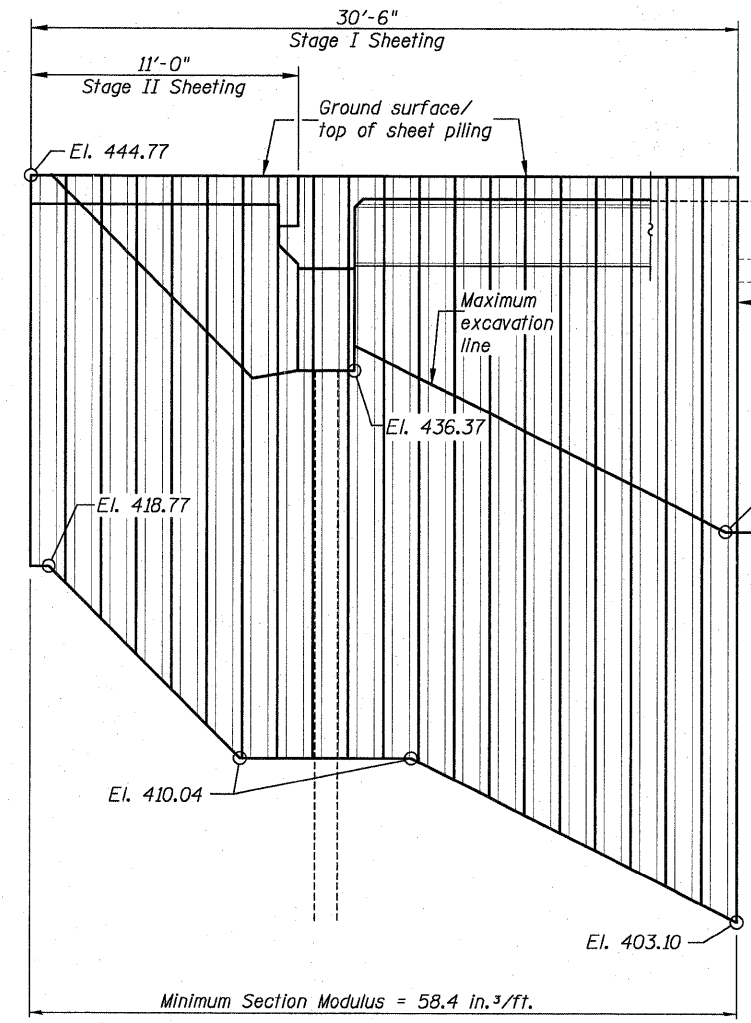
STAGE II CONSTRUCTION
(Looking North)



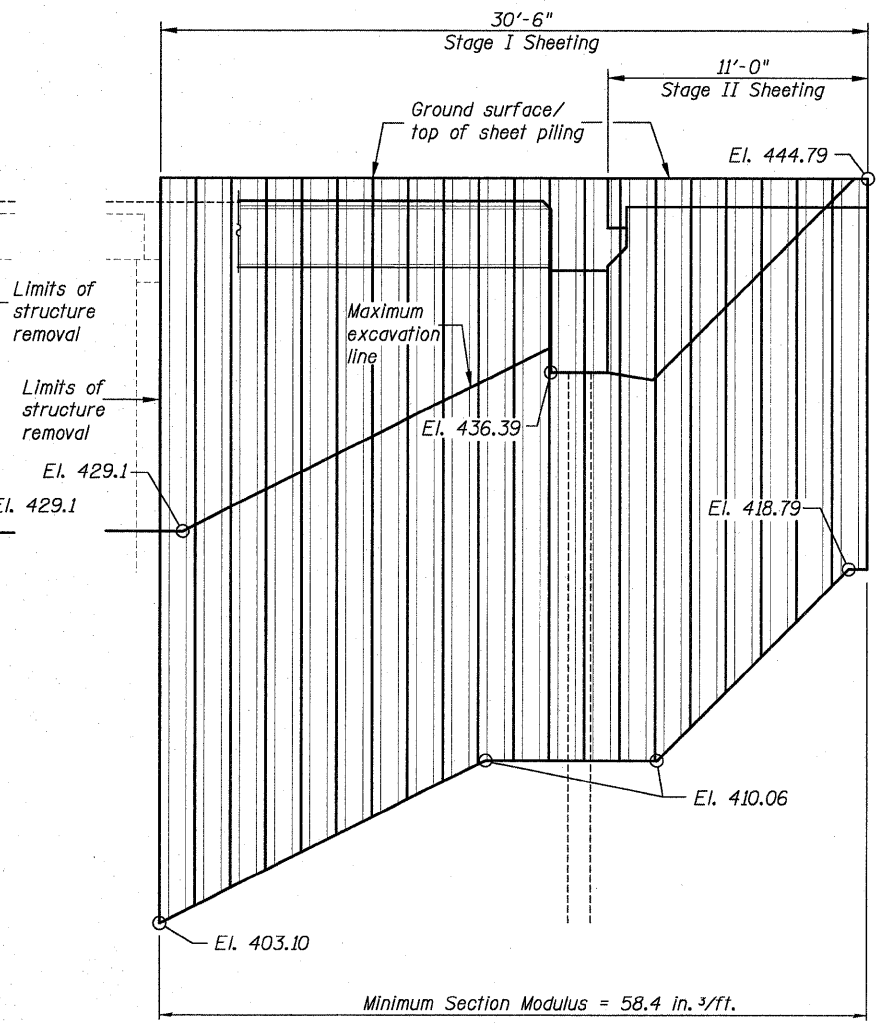
SOUTH ABUTMENT PLAN

TEMPORARY SHEET PILING PLAN

NORTH ABUTMENT PLAN



SOUTH ABUTMENT ELEVATION



NORTH ABUTMENT ELEVATION

TEMPORARY SHEET PILING ELEVATION

NOTES

- If the Contractor chooses to alter the temporary cantilevered sheet piling design requirements shown on the plans, a design submittal, including plan details and calculations, will be required for review and acceptance by the Engineer.
- See Roadway Plans for quantity of Temporary Concrete Barrier.

DESIGNED	B.G.H.
CHECKED	L.D.G.
DRAWN	K.H.L.
CHECKED	B.G.H.

STAGE CONSTRUCTION DETAILS

SHEET NO. 3 23 SHEETS	F.A.S. RTE. 739	SECTION 1BR	COUNTY GREENE	TOTAL SHEETS 150	SHEET NO. 124
	S.N. 031-0039		CONTRACT NO. 76410		
FED. ROAD DIST. NO.		ILLINOIS	FED. AID PROJECT		