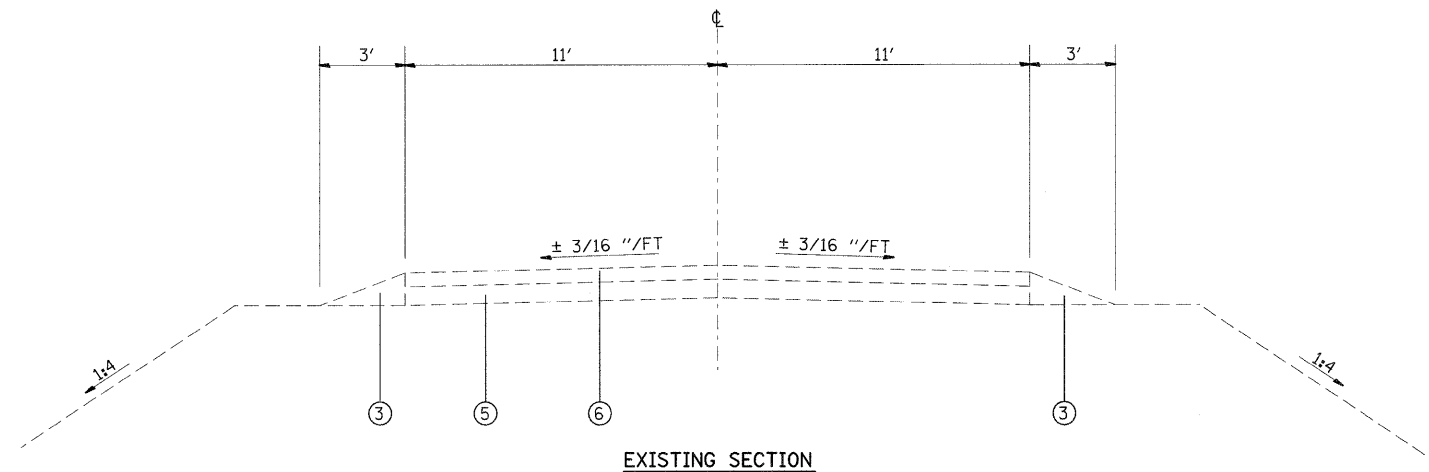


MIXTURE REQUIREMENTS

MIXTURE USE	SURFACE COURSE	INCIDENTAL SURFACE	BINDER COURSE	HOT-MIX ASPHALT SHOULDERS
AC/PG	PG 64-22	PG 64-22	PG 64-22	PG 64-22
RAP % (MAX)	SEE SPECIAL PROV	SEE SPECIAL PROV	SEE SPECIAL PROV	SEE SPECIAL PROV
DESIGN AIR Voids	4.0% @ Ndes=70	4.0% @ Ndes=70	4.0% @ Ndes=70	SEE SPECIAL PROV
MIX COMPOSITION				2.0% @ Ndes=30
(GRADATION MIXTURE)	IL 9.5		IL 19.0	
FRICTION AGG	MIXTURE "C"	MIXTURE "C"	MIXTURE "B"	BAM

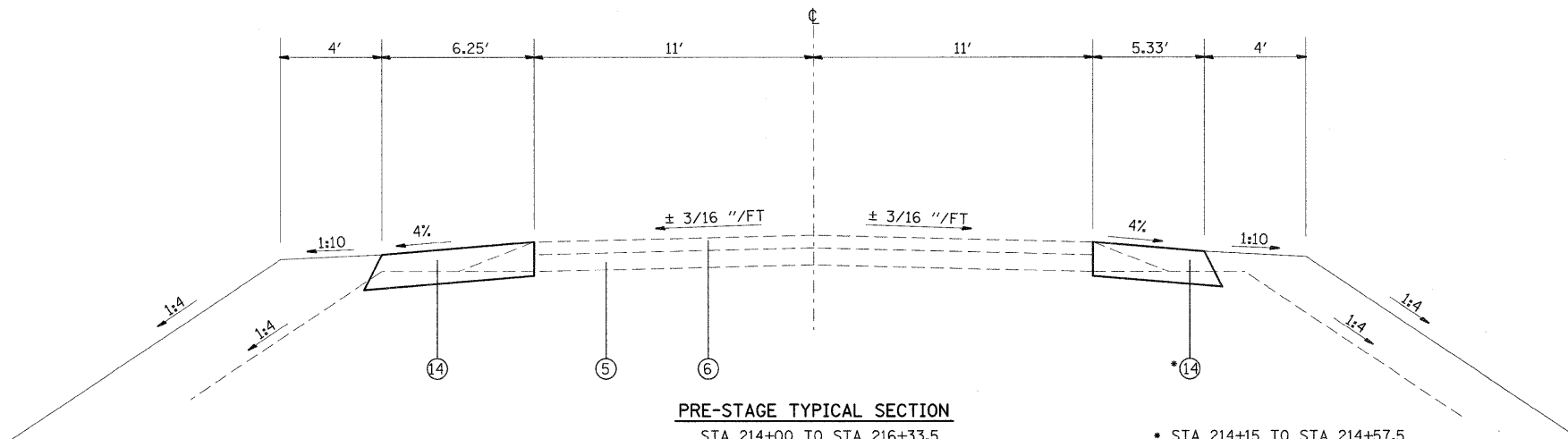
TOP LIFT SHOULDERS - DESIGN THIS MIX AT 2% VOIDS AND ADD ASPHALT TO REDUCE VOIDS TO 1.5%.

PLAN QUANTITIES FOR HOT-MIX ASPHALT SURFACE COURSE ITEMS ARE CALCULATED USING A UNIT WEIGHT OF 112 LB/SQ YD/IN.



EXISTING SECTION

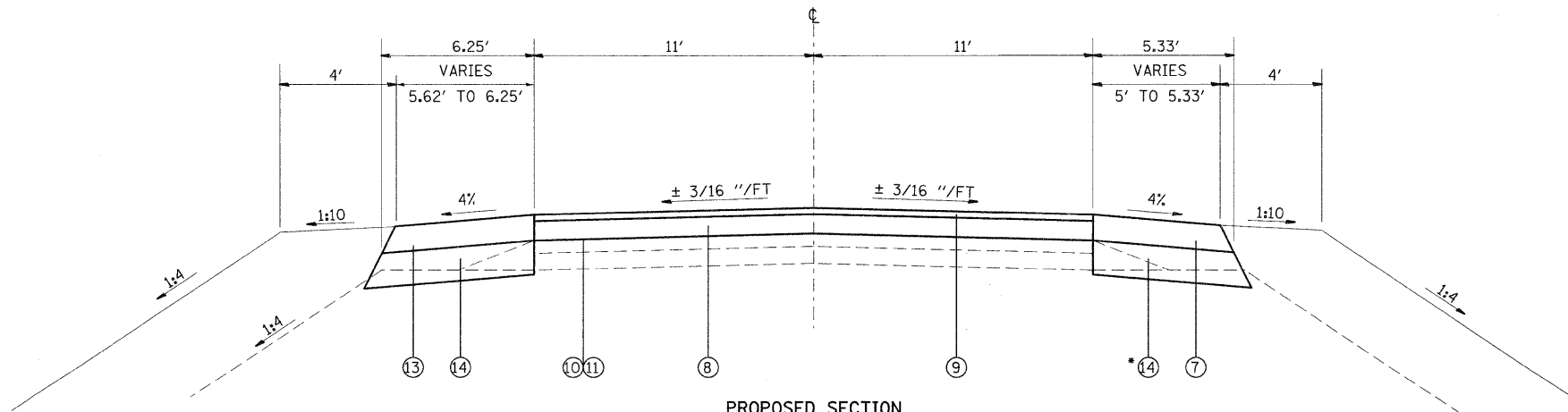
STA 214+57.5 TO STA 216+33.5
STA 216+66.5 TO STA 219+17.5



PRE-STAGE TYPICAL SECTION

STA 214+00 TO STA 216+33.5
STA 216+66.5 TO STA 219+17.5

* STA 214+15 TO STA 214+57.5



PROPOSED SECTION

STA 214+57.5 TO STA 215+86.5
STA 217+13.5 TO STA 219+17.5

* STA 214+15 TO STA 214+57.5

LEFT SHOULDER
STA 214+00 TO STA 215+86.5
STA 217+13.5 TO STA 219+17.5

RIGHT SHOULDER
STA 214+15 TO STA 215+86.5
STA 217+13.5 TO STA 219+17.5

LEGEND

- ① EXISTING OIL AND CHIP
- ② EXISTING BITUMINOUS SURFACE TREATMENT, CLASS A-1
- ③ EXISTING AGGREGATE SHOULDERS
- ④ EXISTING EARTH SHOULDERS
- ⑤ EXISTING AGGREGATE SURFACE COURSE, TYPE 1 4"
- ⑥ EXISTING OIL AND CHIP ± 3"
- ⑦ PROPOSED HOT-MIX ASPHALT SHOULDERS 8"
- ⑧ PROPOSED HOT-MIX ASPHALT BINDER COURSE - 2 1/4" AND VARIES
- ⑨ PROPOSED HOT-MIX ASPHALT SURFACE COURSE - 1 1/2" AND VARIES
- ⑩ PROPOSED BITUMINOUS MATERIALS (PRIME COAT)
- ⑪ PROPOSED AGGREGATE (PRIME COAT)
- ⑫ PROPOSED AGGREGATE SHOULDERS
- ⑬ PROPOSED HOT-MIX ASPHALT SHOULDERS, VARIES 0 TO 15 3/4"
- ⑭ PROPOSED HOT-MIX ASPHALT BASE COURSE WIDENING, 9"

NOTE: NOT TO SCALE

FILE NAME =	USER NAME = therpr1	DESIGNED -	REVISED -	STATE OF ILLINOIS DEPARTMENT OF TRANSPORTATION	TYPICAL SECTIONS		F.A.S. RTE.	SECTION	COUNTY	TOTAL SHEETS	SHEET NO.
ct:\pwwork\pwwork\therpr1\dms52692\0876	10-ahh-typicals.dgn	DRAWN -	REVISED -		SN 031-0011(E) 0040(P), SECTION 1-2BR		739	1BR, 1-2BR, 401-2BR	GREENE	150	70
PLOT SCALE = 50,000' / IN.		CHECKED -	REVISED -		SCALE:	SHEET NO. 1 OF 2 SHEETS	STA. 214+57.5 TO STA. 219+17.5	CONTRACT NO. 76410			
PLOT DATE = 3/25/2010		DATE -	REVISED -		FED. ROAD DIST. NO. ILLINOIS FED. AID PROJECT						