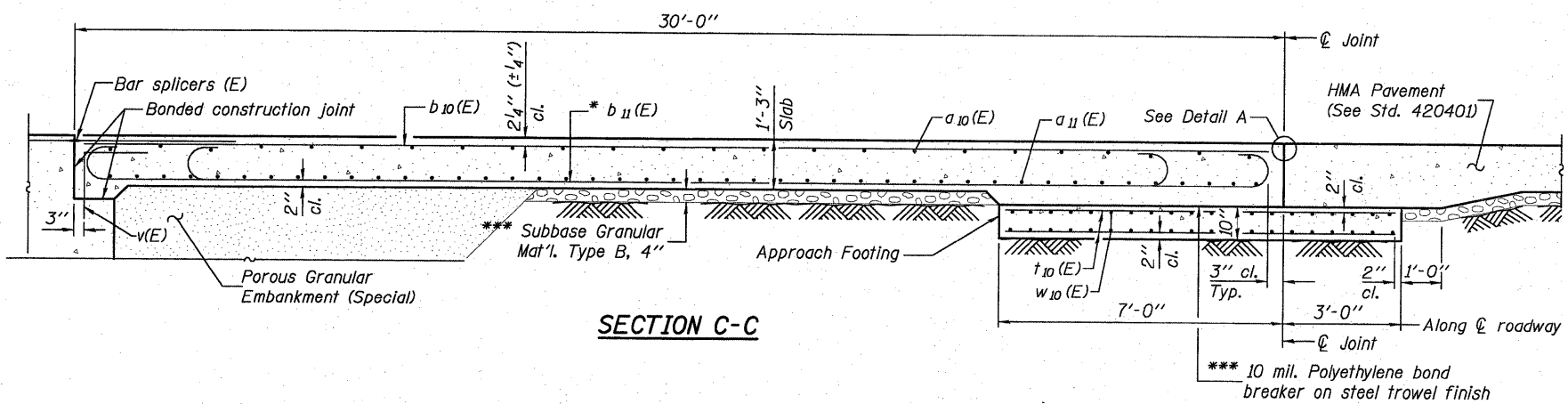


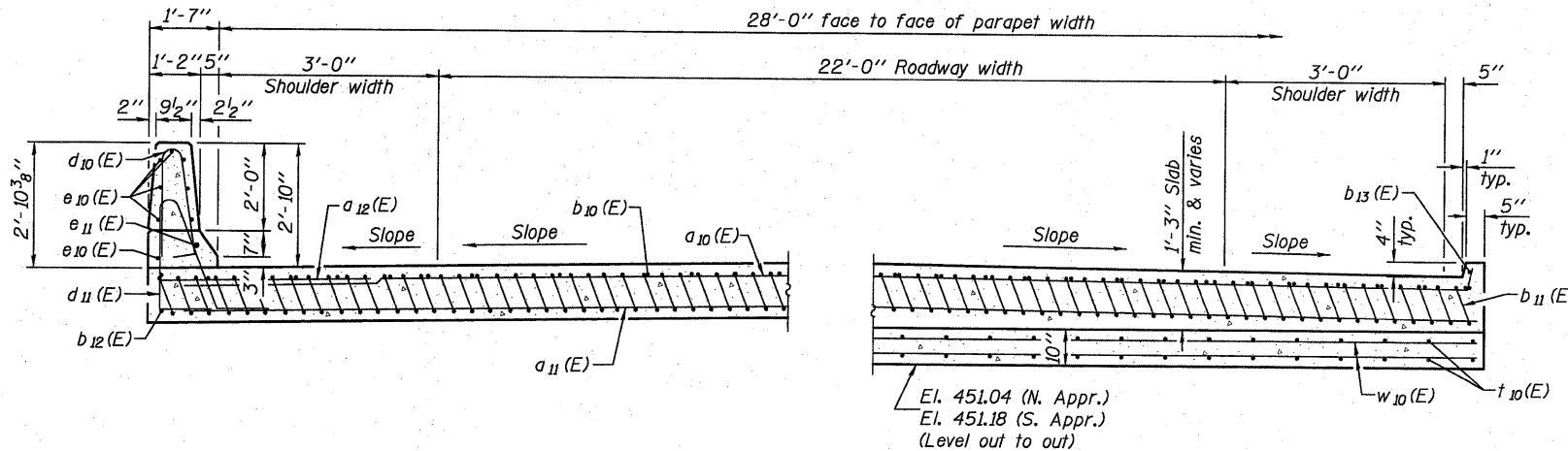
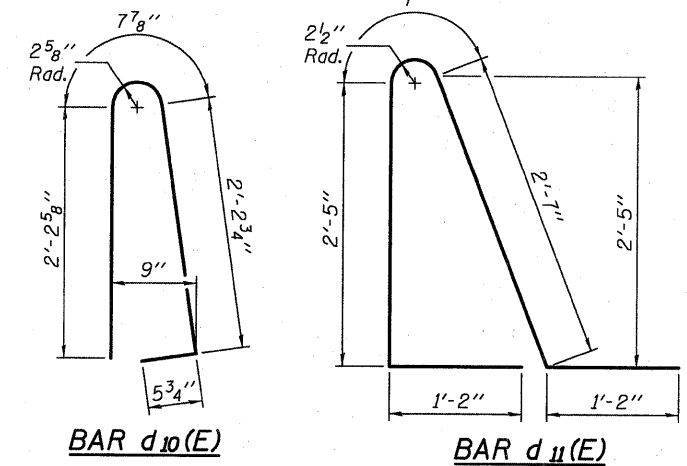
STATE OF ILLINOIS  
DEPARTMENT OF TRANSPORTATION

Notes:

See sheet 11 of 21 for Detail A and View B-B.  
Approach slab and parapet concrete shall be paid for as Concrete Superstructure.  
Approach footing concrete shall be paid for as Concrete Structures.  
Reinforcement shall be paid for as Reinforcement Bars, Epoxy Coated.  
For v(E) bar details, see sheet 9 of 21.  
The approach footing maximum applied service bearing pressure ( $Q_{max}$ ) = 2.0 ksf.  
For bar splicer details, see sheet 17 of 21.  
Cost of excavation for approach footing included with Concrete Structures.  
For Porous Granular Embankment (Special) and drainage treatment details, see sheet 2 of 21.



\* Tilt #9 b<sub>11</sub>(E) bars as required to maintain clearance.  
\*\*\* Cost included with Concrete Superstructure.

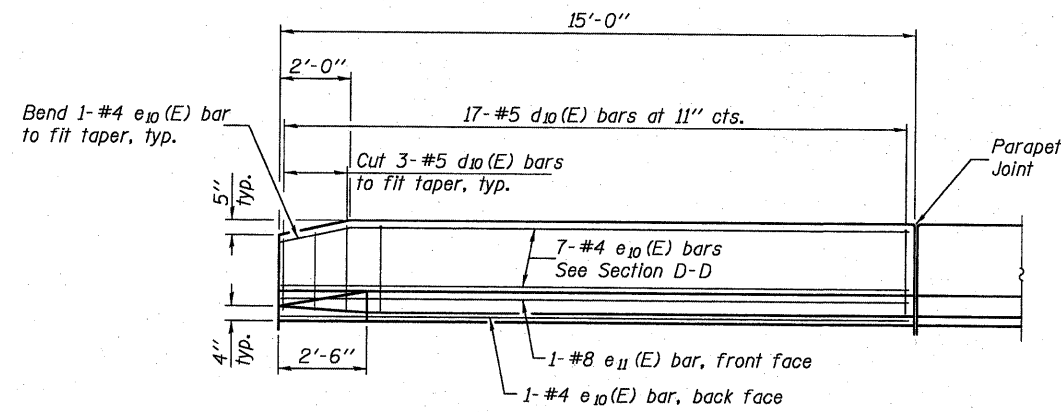


NEAR ABUTMENT

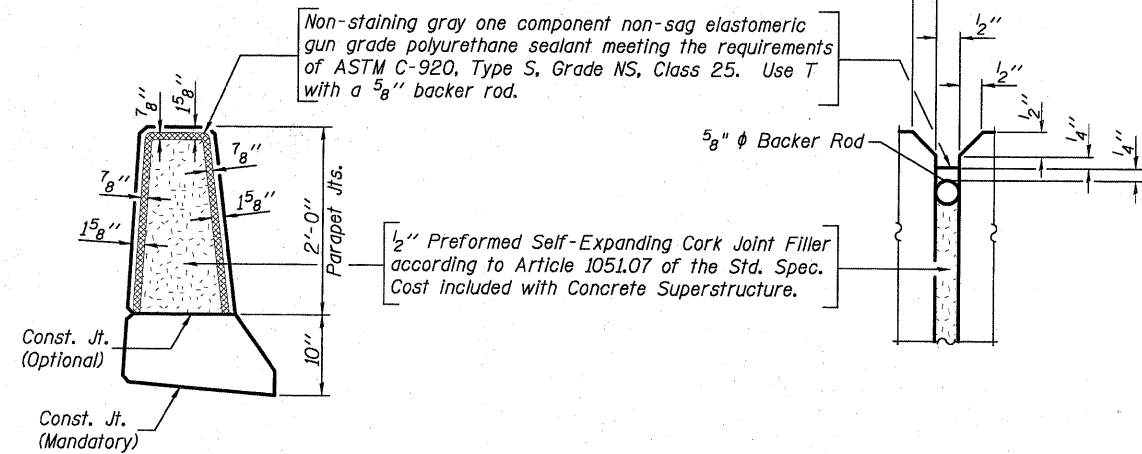
SECTION D-D

(See Plan for dimensions not shown)

AT APPROACH FOOTING



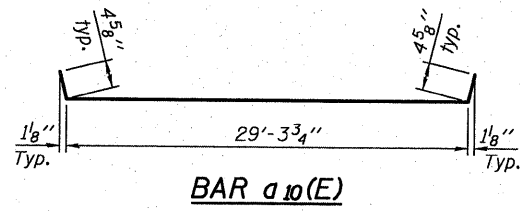
VIEW E-E



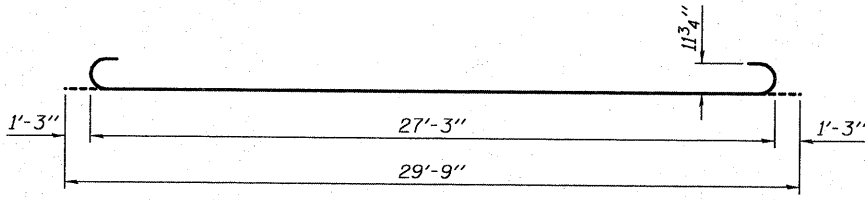
PARAPET JOINT DETAILS

TWO APPROACHES  
BILL OF MATERIAL

Bar	No.	Size	Length	Shape
a <sub>10</sub> (E)	50	#4	30'-1"	—
a <sub>11</sub> (E)	92	#5	29'-6"	—
a <sub>12</sub> (E)	48	#6	6'-0"	—
b <sub>10</sub> (E)	56	#4	29'-8"	—
b <sub>11</sub> (E)	142	#9	29'-9"	—
b <sub>12</sub> (E)	4	#4	14'-8"	—
b <sub>13</sub> (E)	4	#4	14'-8"	—
d <sub>10</sub> (E)	68	#5	5'-7"	—
d <sub>11</sub> (E)	68	#5	7'-11"	—
e <sub>10</sub> (E)	32	#4	14'-8"	—
e <sub>11</sub> (E)	4	#8	14'-8"	—
t <sub>10</sub> (E)	120	#4	9'-8"	—
w <sub>10</sub> (E)	80	#5	29'-6"	—
Concrete Superstructure			Cu. Yd.	93.7
Concrete Structures			Cu. Yd.	18.4
Reinforcement Bars, Epoxy Coated			Pound	24,490



BAR a<sub>10</sub>(E)



BAR b<sub>11</sub>(E)

DESIGNED	B.G.H.
CHECKED	L.D.G.
DRAWN	K.H.L.
CHECKED	B.G.H.

BA-0 10-31-08

(Sheet 2 of 2)  
BRIDGE APPROACH SLAB DETAILS

SHEET NO. 12 21 SHEETS	F.A.S. RTE.	SECTION	COUNTY	TOTAL SHEETS	SHEET NO.
	739	401-2BR	GREENE	150	45
S.N. 031-0041			CONTRACT NO. 76410		
FED. ROAD DIST. NO.		ILLINOIS	FED. AID PROJECT		