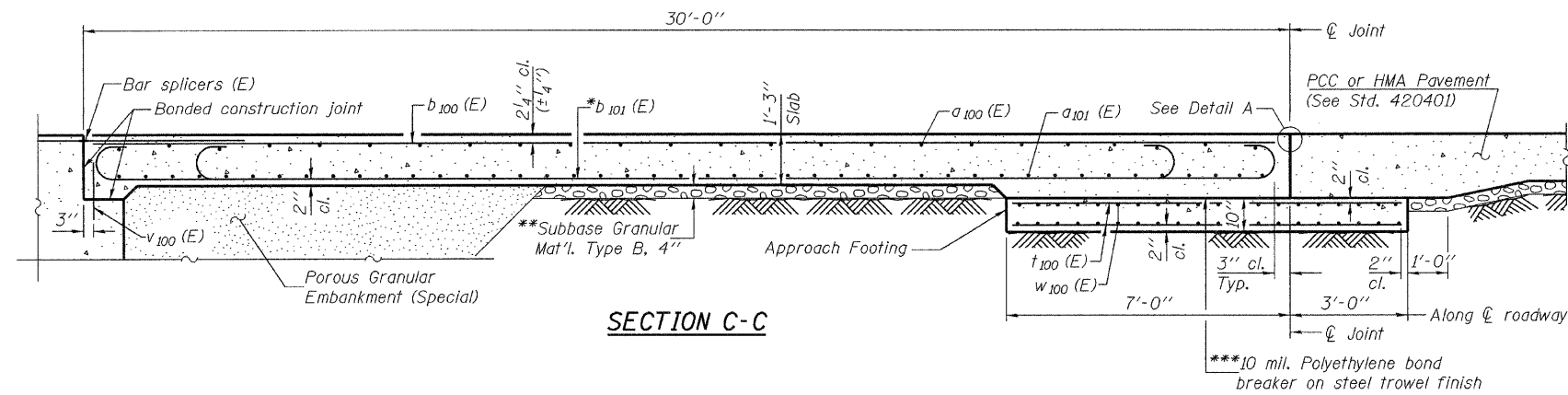


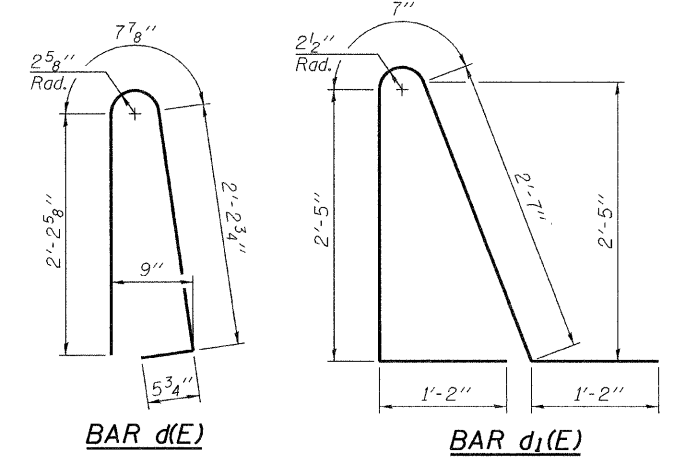
STATE OF ILLINOIS
DEPARTMENT OF TRANSPORTATION

Notes:
See sheet 16 of 21 for Detail A and View B-B.
Approach slab and parapet concrete shall be paid for as Concrete Superstructure.
Approach footing concrete shall be paid for as Concrete Structures.
Reinforcement shall be paid for as Reinforcement Bars, Epoxy Coated.
For v(E) bar details, see sheet 10 of 21.
The approach footing maximum applied service bearing pressure (Qmax) = 2.0 ksf.
For bar splicer details, see sheet 19 of 21.
Cost of excavation for approach footing included with Concrete Structures.
For Porous Granular Embankment (Special) and drainage treatment details, see sheet 2 of 21.



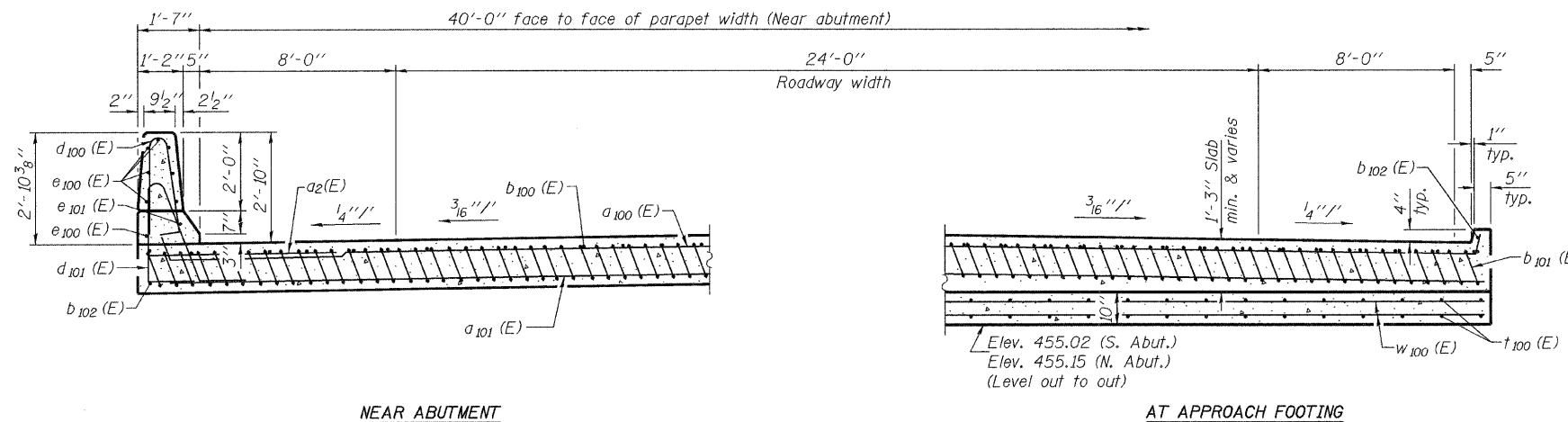
SECTION C-C

*Tilt #9 b₁₀₁ (E) bars as required to maintain clearance.
***Cost included with Concrete Superstructure.



TWO APPROACHES
BILL OF MATERIAL

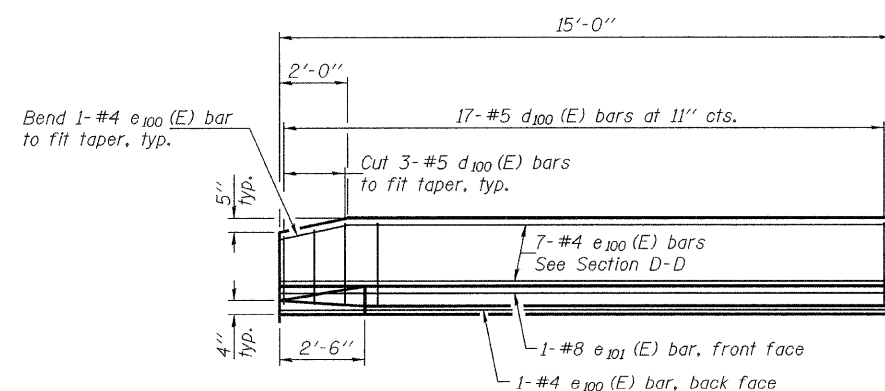
Bar	No.	Size	Length	Shape
a ₁₀₀ (E)	100	#4	20'-11"	—
a ₁₀₁ (E)	184	#5	20'-7"	—
a ₁₀₂ (E)	48	#6	6'-0"	—
b ₁₀₀ (E)	68	#4	29'-8"	—
b ₁₀₁ (E)	200	#9	29'-9"	—
b ₁₀₂ (E)	8	#4	14'-8"	—
d ₁₀₀ (E)	68	#5	5'-7"	U
d ₁₀₁ (E)	68	#5	7'-11"	U
e ₁₀₀ (E)	32	#4	14'-8"	—
e ₁₀₁ (E)	4	#8	14'-8"	—
t ₁₀₀ (E)	168	#4	9'-8"	—
w ₁₀₀ (E)	160	#5	20'-7"	—
Concrete Superstructure		Cu. Yd.	130	
Concrete Structures		Cu. Yd.	25.8	
Reinforcement Bars, Epoxy Coated		Pound	33380	



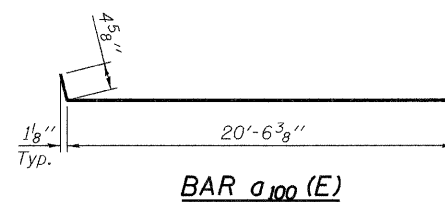
NEAR ABUTMENT

SECTION D-D
(See Plan for dimensions not shown)

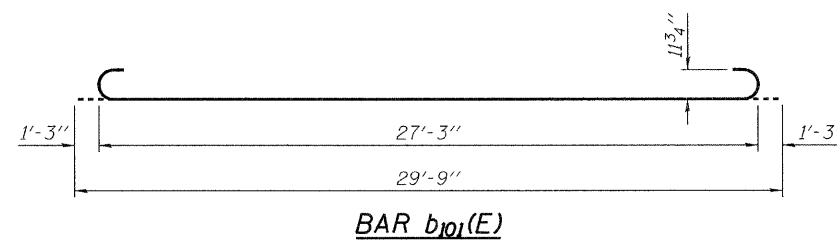
AT APPROACH FOOTING



VIEW E-E



BAR a₁₀₀ (E)



BAR b₁₀₁ (E)

BRIDGE APPROACH SLAB DETAILS
STRUCTURE NO. 079-0050

DESIGNED	Ray Ahanchi
CHECKED	Jay D. Edwards
DRAWN	h.t. duong
CHECKED	GRA/JDE

EXAMINED	Thomas J. Demagalaki	March 2, 2010
PASSED	Ralph E. Anderson	

SHEET NO. 17 21 SHEETS	F.A.P. RTE.	SECTION	COUNTY	TOTAL SHEETS	SHEET NO.
	682	21BR, 21-I-1	RANDOLPH	77	56
			CONTRACT NO. 76126		
FED. ROAD DIST. NO.		ILLINOIS FED. AID PROJECT			