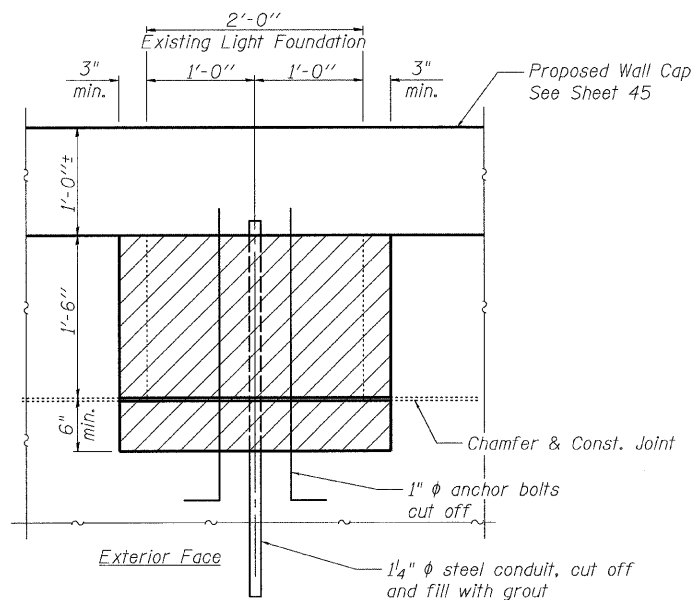


STATE OF ILLINOIS  
DEPARTMENT OF TRANSPORTATION

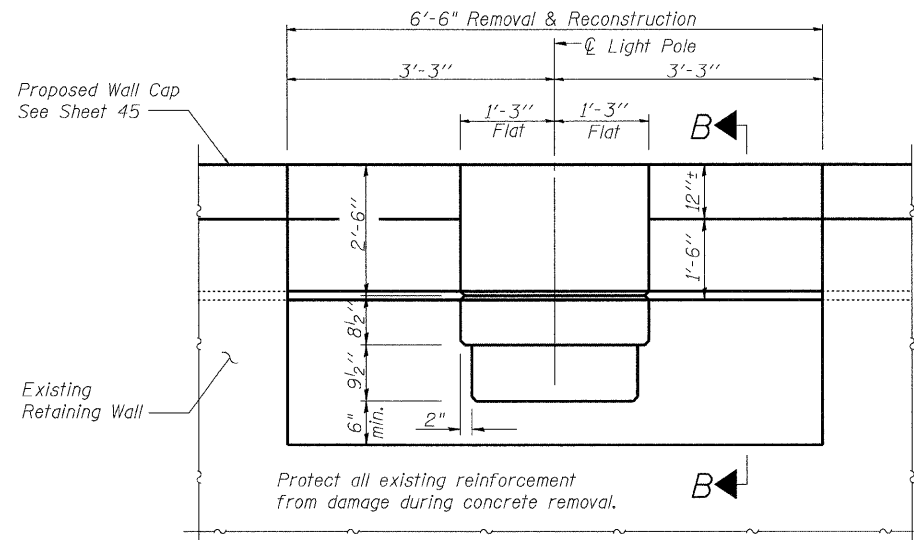


Minimum removal & replacement  
Protect reinforcement from damage.  
Match typical wall configuration  
for patch.

**EXISTING LIGHT FOUNDATION  
REMOVAL AND RETAINING WALL REPAIR**

Lighting Repair Schedule

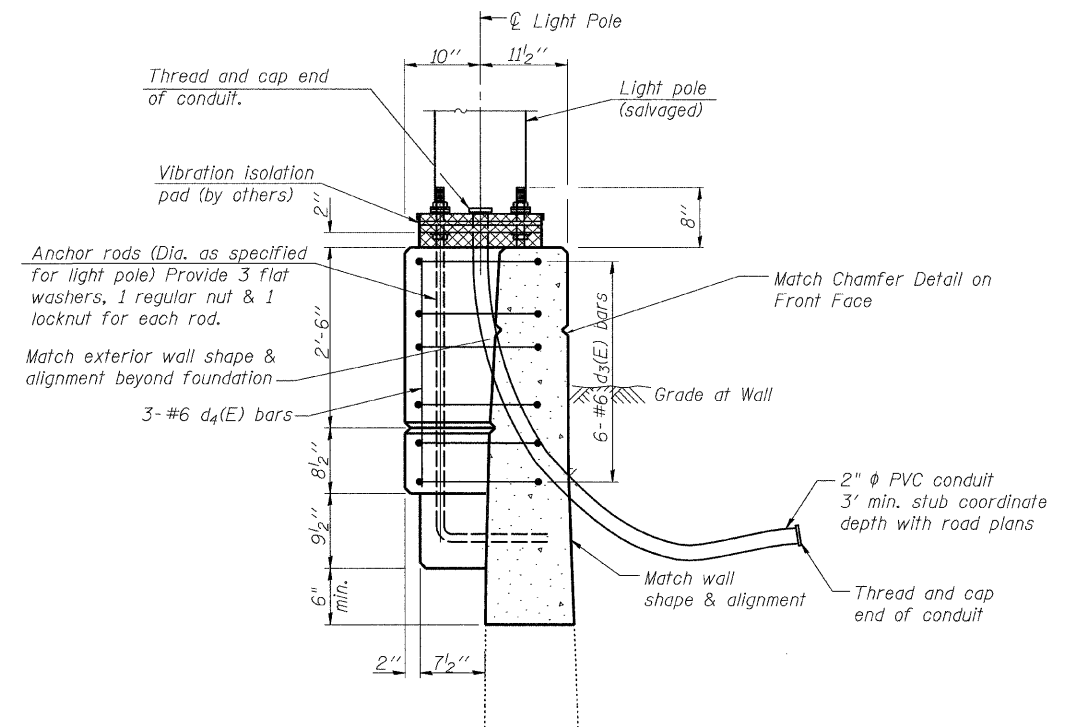
Location
1230+81.81 23.43, Lt.
1231+38.29 23.56, Rt.
1232+01.85 23.32, Lt.
1232+58.19 23.53, Rt.
1239+08.14 23.57, Lt.
1240+23.52 23.61, Lt.



**PROPOSED RETAINING WALL REMOVAL &  
LIGHT FOUNDATION CONSTRUCTION**

Lighting Schedule

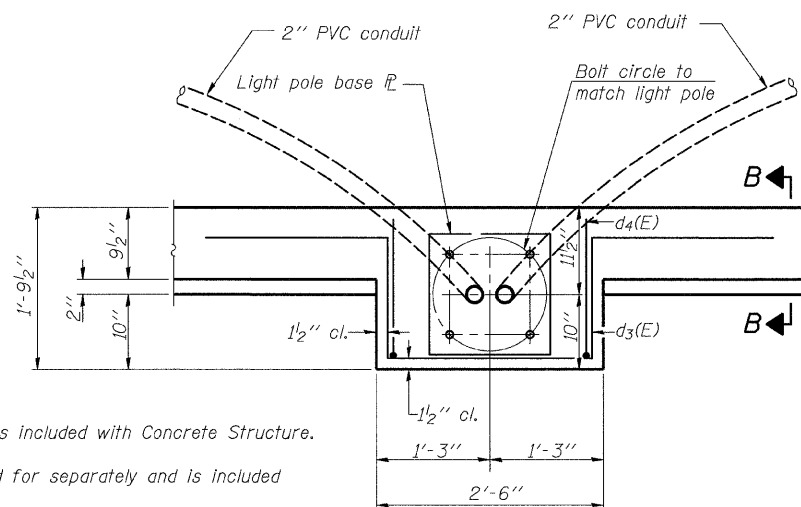
Location
Sta. 1231+10.00, Lt.
Sta. 1232+19.00, Rt.
Sta. 1239+82.00, Lt.



**SECTION B-B  
Retaining Walls**

**BILL OF MATERIALS**

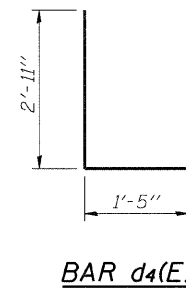
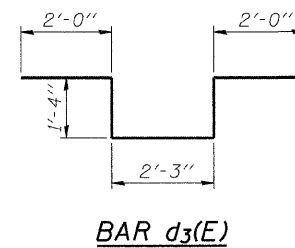
Bar	No.	Size	Length	Shape
d <sub>3</sub> (E)	18	#6	8'-11"	U
d <sub>4</sub> (E)	9	#6	4'-4"	L
d <sub>100</sub> (E)	625	#4	1'-8"	U
d <sub>101</sub> (E)	625	#4	1'-11"	U
d <sub>102</sub> (E)	5	#4	1'-5"	U
d <sub>103</sub> (E)	5	#4	1'-7"	U
d <sub>104</sub> (E)	5	#4	2'-1"	U
d <sub>105</sub> (E)	5	#4	2'-11"	U
h <sub>100</sub> (E)	100	#4	24'-9"	—
h <sub>101</sub> (E)	4	#4	7'-0"	—
h <sub>102</sub> (E)	2	#4	3'-0"	—
Concrete Structure			Cu. Yd.	19.9
Reinforcement Bars, Epoxy Coated			Pound	3500



**PLAN**

Single conduit only ©  
1231+10, Lt. & 1232+19 Rt.

Note:  
Cost of anchor rods included with Concrete Structure.  
Conduit shall be paid for separately and is included  
in the lighting plans.



DESIGNED - MJB/MAJ
CHECKED - JFS
DRAWN - MSJ/MLB
CHECKED - MJB



SHEET NO. 46	F.A. RTE. 710	SECTION (50Z-VB)BR	COUNTY MACON	TOTAL SHEETS 79	SHEET NO. 72
49 SHEETS	CONTRACT NO. 74215				
FED. ROAD DIST. NO. ILLINOIS FED. AID PROJECT					

**RETAINING WALL MODIFICATIONS  
STRUCTURE NO. 058-0014**