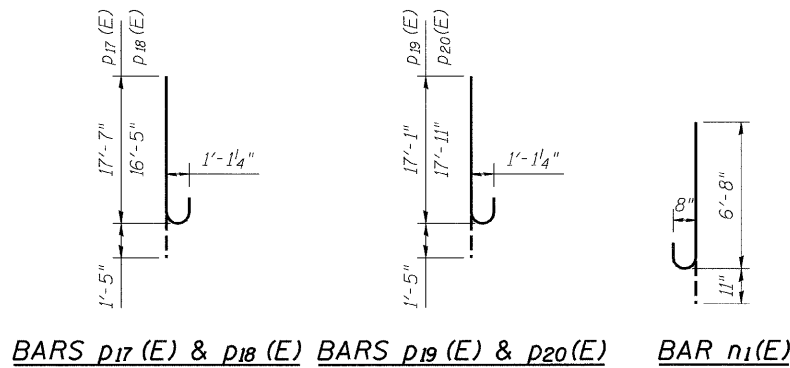
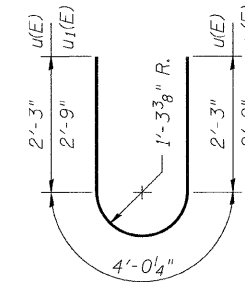


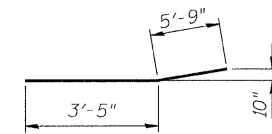
ANCHOR BOLT LOCATION DETAIL
Typ.



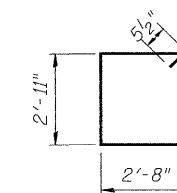
BARS p17(E) & p18(E) BARS p19(E) & p20(E) BAR n1(E)



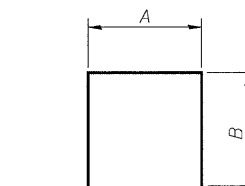
BAR u(E) & u1(E)



BAR p14(E)



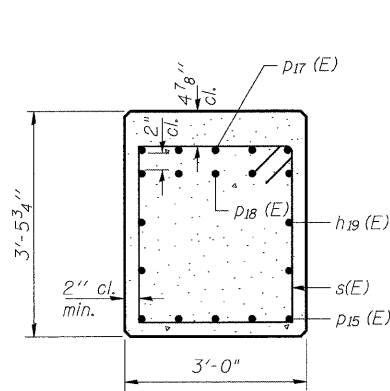
BAR s(E)



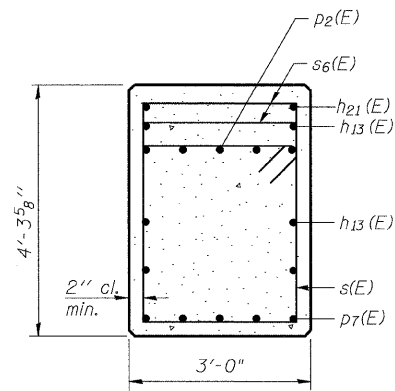
BARS s2(E), s3(E), s5(E) & s6(E)

A & B DIMENSIONS

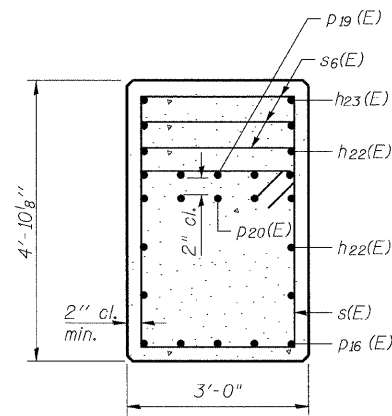
Bar	A	B
s2(E)	2'-8"	2'-1"
s3(E)	2'-8"	2'-4"
s5(E)	2'-8"	6'-4"
s6(E)	2'-8"	1'-4"



SEC. A-A



SEC. B-B



SEC. C-C

BILL OF MATERIAL

Bar	No.	Size	Length	Shape
h13(E)	6	#5	10'-5"	—
h19(E)	4	#5	16'-5"	—
h20(E)	2	#5	6'-0"	—
h21(E)	2	#5	4'-3"	—
h22(E)	8	#5	18'-0"	—
h23(E)	2	#5	10'-4"	—
h24(E)	10	#9	9'-9"	—
h25(E)	5	#9	10'-8"	—
h26(E)	24	#8	9'-9"	—
h27(E)	12	#8	10'-8"	—
n(E)	70	#6	3'-11"	—
n1(E)	50	#8	7'-7"	—
p2(E)	5	#10	10'-9"	—
p7(E)	5	#7	10'-5"	—
p14(E)	10	#7	9'-2"	—
p15(E)	5	#7	10'-8"	—
p16(E)	5	#7	12'-2"	—
p17(E)	5	#10	19'-0"	—
p18(E)	5	#10	17'-10"	—
p19(E)	5	#10	18'-6"	—
p20(E)	5	#10	19'-4"	—
s(E)	37	#5	12'-1"	□
s2(E)	28	#5	6'-10"	□
s3(E)	28	#5	7'-4"	□
s5(E)	32	#6	15'-4"	□
s6(E)	73	#4	5'-4"	□
* sp2(E)	5	#4	15'-11"	◊
u(E)	14	#6	8'-7"	—
u1(E)	11	#6	9'-7"	—
v6(E)	6	#6	6'-4"	—
v7(E)	50	#8	18'-7"	—
Concrete Structures	Cu. Yd.		60.5	
Reinforcement Bars, Epoxy Coated	Pound		11850	
Bar Splicers	Each		52	
Mechanical Splicers	Each		10	
Structure Excavation	Cu. Yd.		17	
Concrete Sealer	Sq. Ft.		1659	
Concrete Removal	Cu. Yd.		56.7	
Temporary Support System Location No. 3	Each		1	

*Length is height of spiral.

Note:
The Contractor shall verify the length of the p2(E), p17(E) and p19(E) bars to assure they are satisfactory with the type of mechanical splicers used.

CB Coombe-Bloxdorf P.C.
-CIVIL ENGINEERS-
-STRUCTURAL ENGINEERS-
-LAND SURVEYORS-
Design Firm License No. 184-002703

PROJECT NO. 07086
SCALE / /
DATE / /
DESIGN BY CME
DRAWN BY CFC
CHECKED BY MCB

**PIER 8
STRUCTURE NO. 058-0014**

SHEET NO. 44 49 SHEETS	F.A.P. RTE. 710	SECTION (50Z-VB)BR	COUNTY MACON	TOTAL SHEETS 79	SHEET NO. 70
	CONTRACT NO. 74215			FED. ROAD DIST. NO. 7 ILLINOIS FED. AID PROJECT	