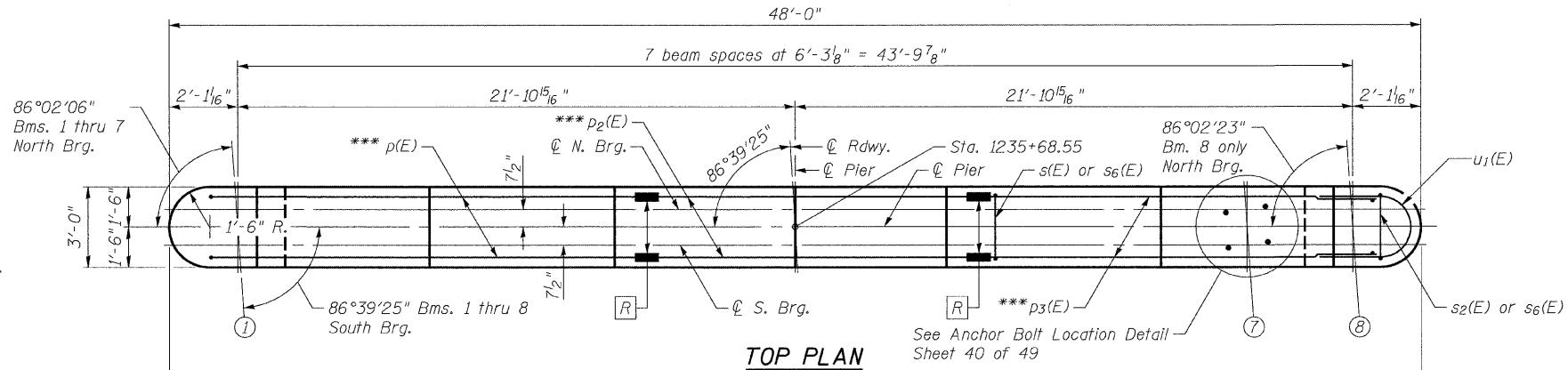


- A1 5-#10 p(E) bars top, Layer 1; See Sec. A-A
- A 5-#10 p1(E) bars top, Layer 2; See Sec. A-A
- B 2-#5 h12(E) bars E.F.
- C 5-#7 p6(E) bars bottom
- D 1-#5 h13(E) bar E.F.
- E 5-#10 p2(E) bars top; See Sec. B-B
- F 2-#5 h13(E) bars E.F.
- G 5-#7 p7(E) bars bottom
- H 1-#5 h14(E) bar E.F.
- I 5-#10 p3(E) bars top, Layer 1; See Sec C-C
- J 5-#10 p4(E) bars top, Layer 2; See Sec C-C
- K 2-#5 h14(E) bars E.F.
- L 5-#7 p8(E) bars bottom
- M 5 Bar Splicers for #8 h15(E) or h16(E) bars
- N 5 Bar Splicers for #7 p6(E) or p7(E) bars
- O 2 Bar Splicers for #5 h12(E) or h13(E) bars E.F.
- P 5-#8 h15(E) bars
- Q 5-#8 h16(E) bars
- R 5 Mechanical Splicers for #10 p(E) or p2(E) bars;

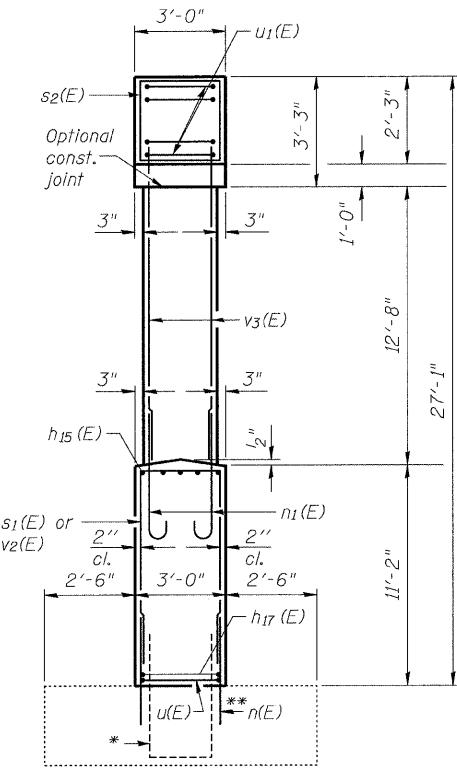
E.F. = Each Face



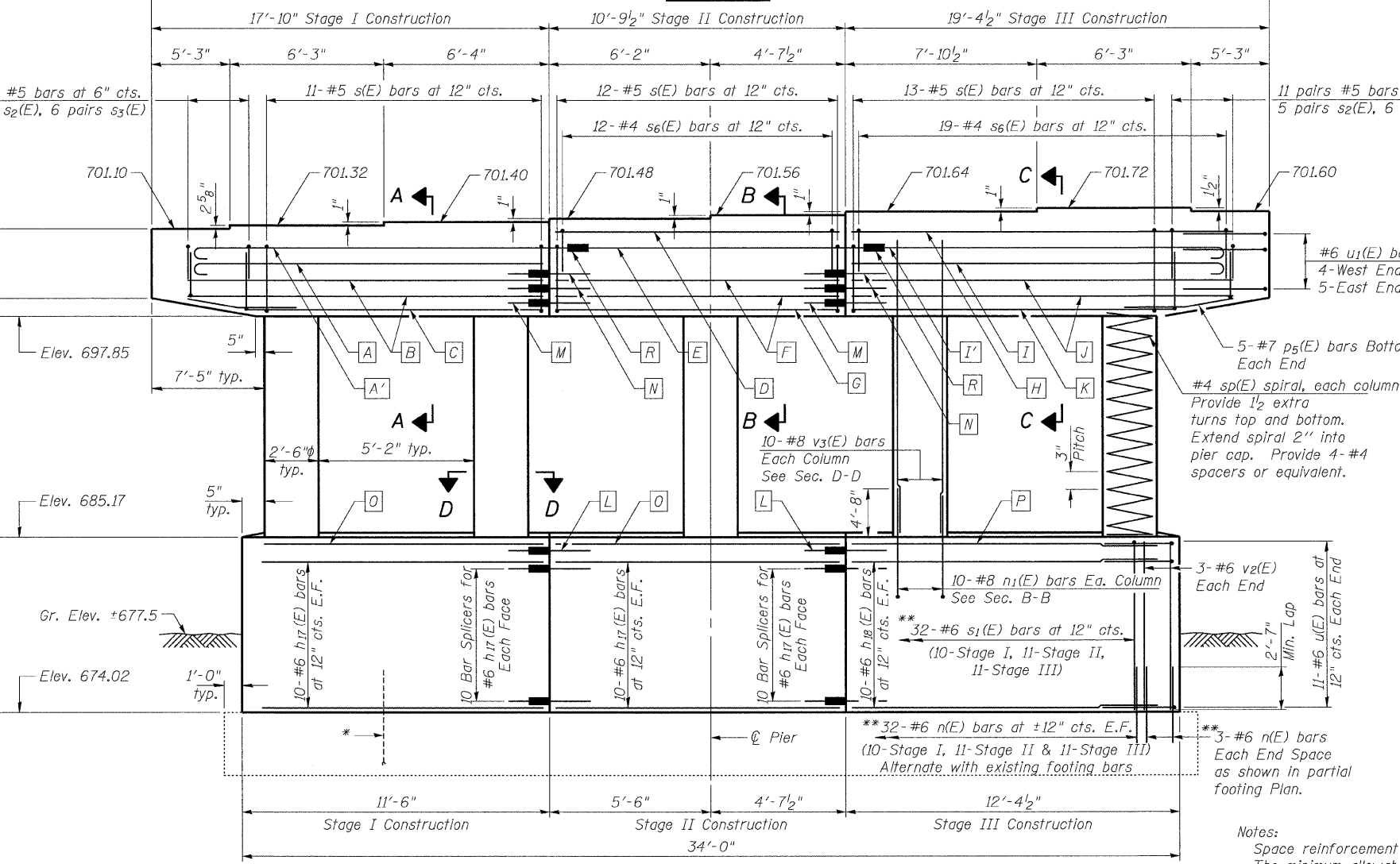
* Existing footing bars to be cleaned, straightened and incorporated into new construction. Cost included with Concrete Removal.

** Drill & epoxy grout into exist. conc. footing embed 9" min. See Section 584 of the Standard Specifications. Cost included with Concrete Structures.

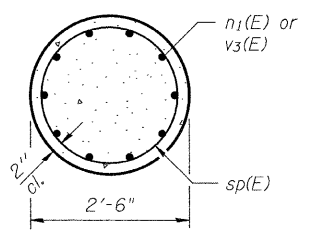
*** Only top row of p bars are shown for clarity.



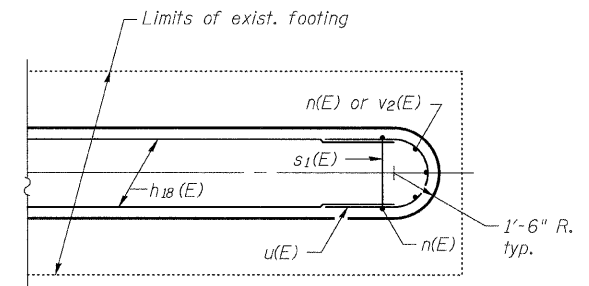
END VIEW



ELEVATION
(Looking North)



SEC. D-D



PARTIAL FOOTING PLAN
(Showing East end)

Notes:
 Space reinforcement in cap to miss anchor bolts.
 The minimum allowable spacing between the mechanical splicers is 2".
 Pour steps monolithically with cap.
 See sheet 40 of 49 for Sections A-A, B-B & C-C.
 See sheet 40 of 49 for Bar Details and Bill of Material.
 See sheet 3 of 49 for Concrete Removal Details.
 All exposed surfaces of the pier cap, columns and crashwall shall be treated with concrete sealer.

PIER 5
 STRUCTURE NO. 058-0014

Coombe-Bloxdorf P.C.
 -CIVIL ENGINEERS-
 -STRUCTURAL ENGINEERS-
 -LAND SURVEYORS-

Design Firm License No. 184-002703

PROJECT NO. 07086
 SCALE / / /
 DATE / / /
 DESIGN BY CME
 DRAWN BY CFC
 CHECKED BY MCB

SHEET NO. 39 49 SHEETS	F.A.P. RTE.	SECTION	COUNTY	TOTAL SHEETS	SHEET NO.
	710	(50Z-VB)BR	MACON	79	65
			CONTRACT NO. 74215		
FED. ROAD DIST. NO. 7 ILLINOIS FED. AID PROJECT					