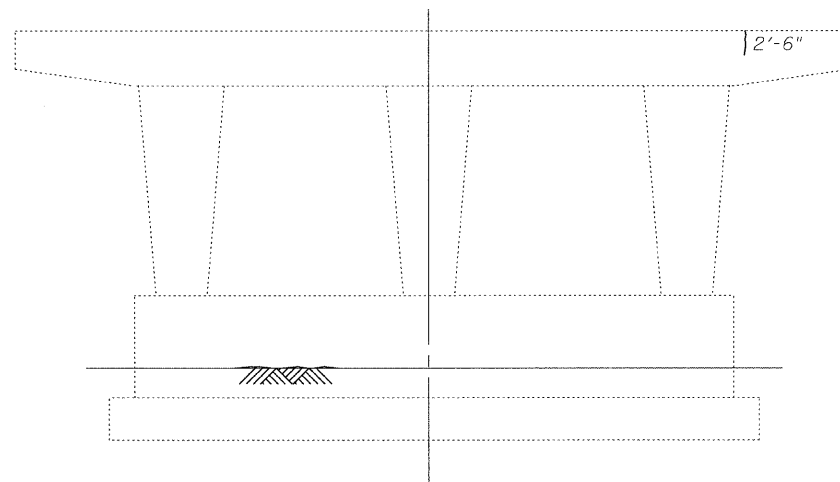
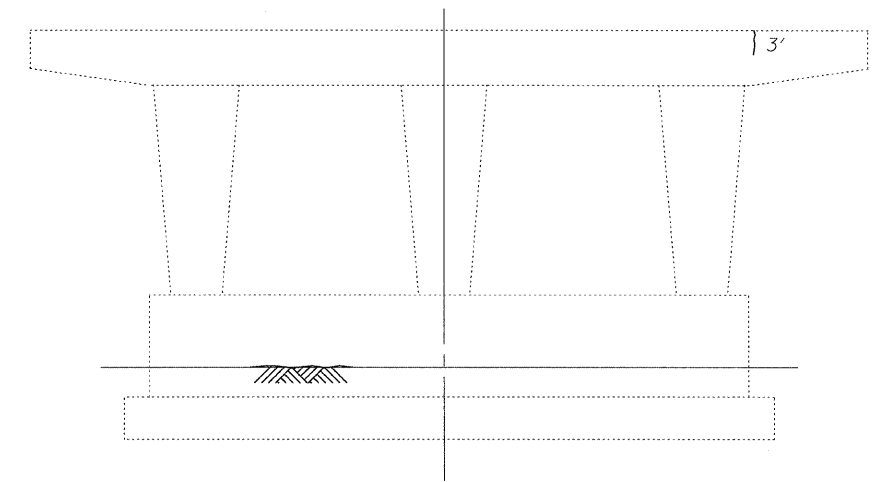


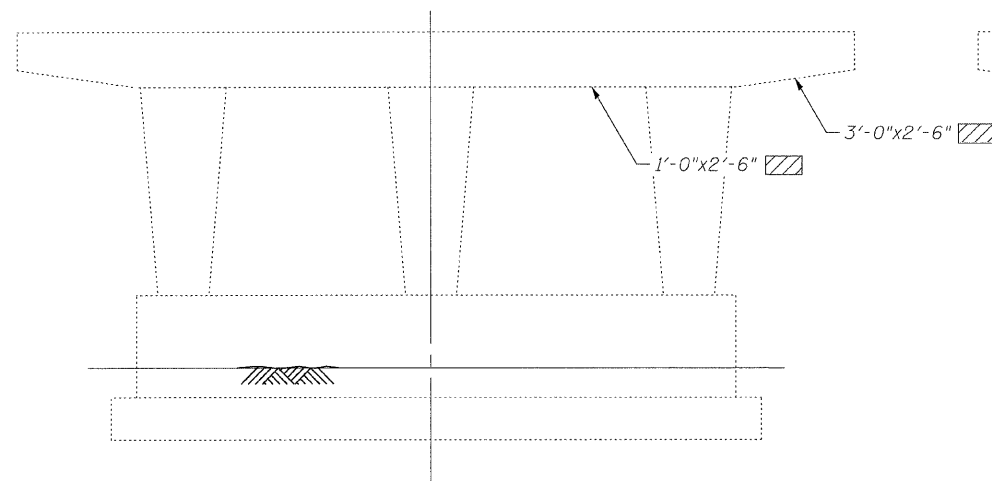
**PIER 1-SOUTH FACE**



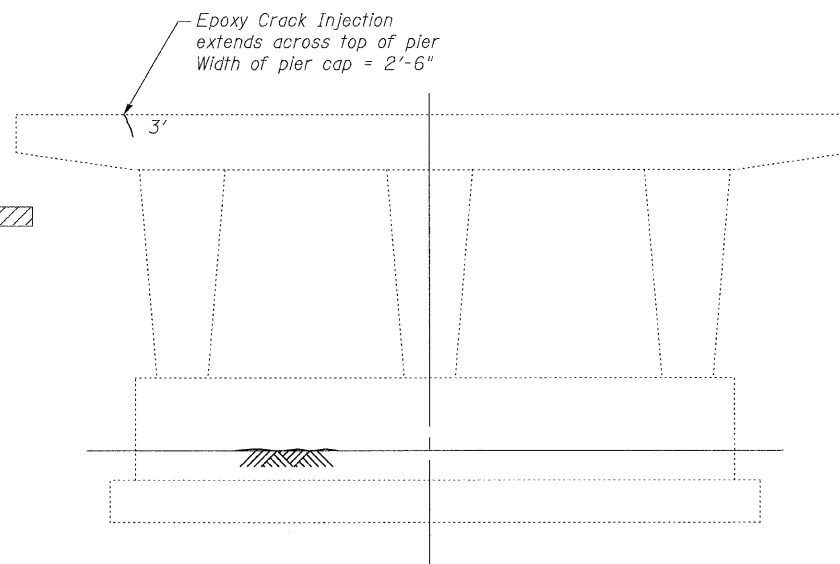
**PIER 7-SOUTH FACE**



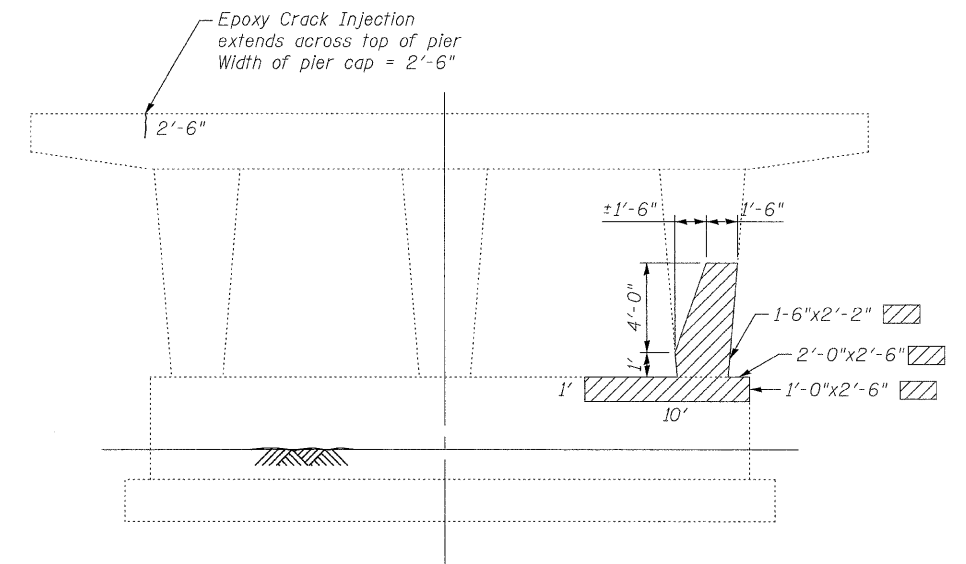
**PIER 9-SOUTH FACE**



**PIER 4-NORTH FACE**



**PIER 7-NORTH FACE**



**PIER 9-NORTH FACE**

**BILL OF MATERIAL  
PIERS**

Structural Repair of Concrete (Depth Equal to or Less Than 5 In.)	Sq. Ft.	45
Epoxy Crack Injection	Ft.	16

**LEGEND**

- Denotes Structural Repair of Concrete (Depth Equal to or Less Than 5")
- Denotes Epoxy Crack Injection

**CB** Coombe-Bloxdorf P.C.  
 -CIVIL ENGINEERS-  
 -STRUCTURAL ENGINEERS-  
 -LAND SURVEYORS-  
 Design Firm License No. 184-002703

PROJECT NO.	07086
SCALE	
DATE	/ /
DESIGN BY	
DRAWN BY	CFC
CHECKED BY	GB/MCB

**PIER REPAIR DETAILS  
STRUCTURE NO. 058-0014**

SHEET NO. 38 49 SHEETS	F.A.P. RTE. 710	SECTION (50Z-VB)BR	COUNTY MACON	TOTAL SHEETS 79	SHEET NO. 64
	CONTRACT NO. 74215				
FED. ROAD DIST. NO. 7 ILLINOIS FED. AID PROJECT					