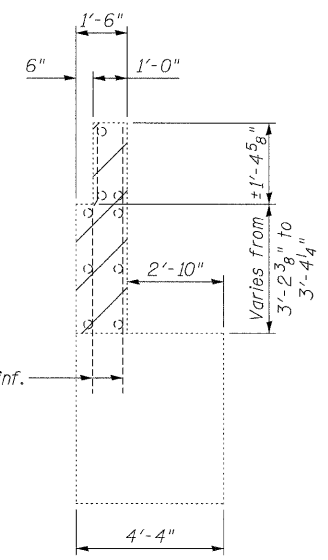
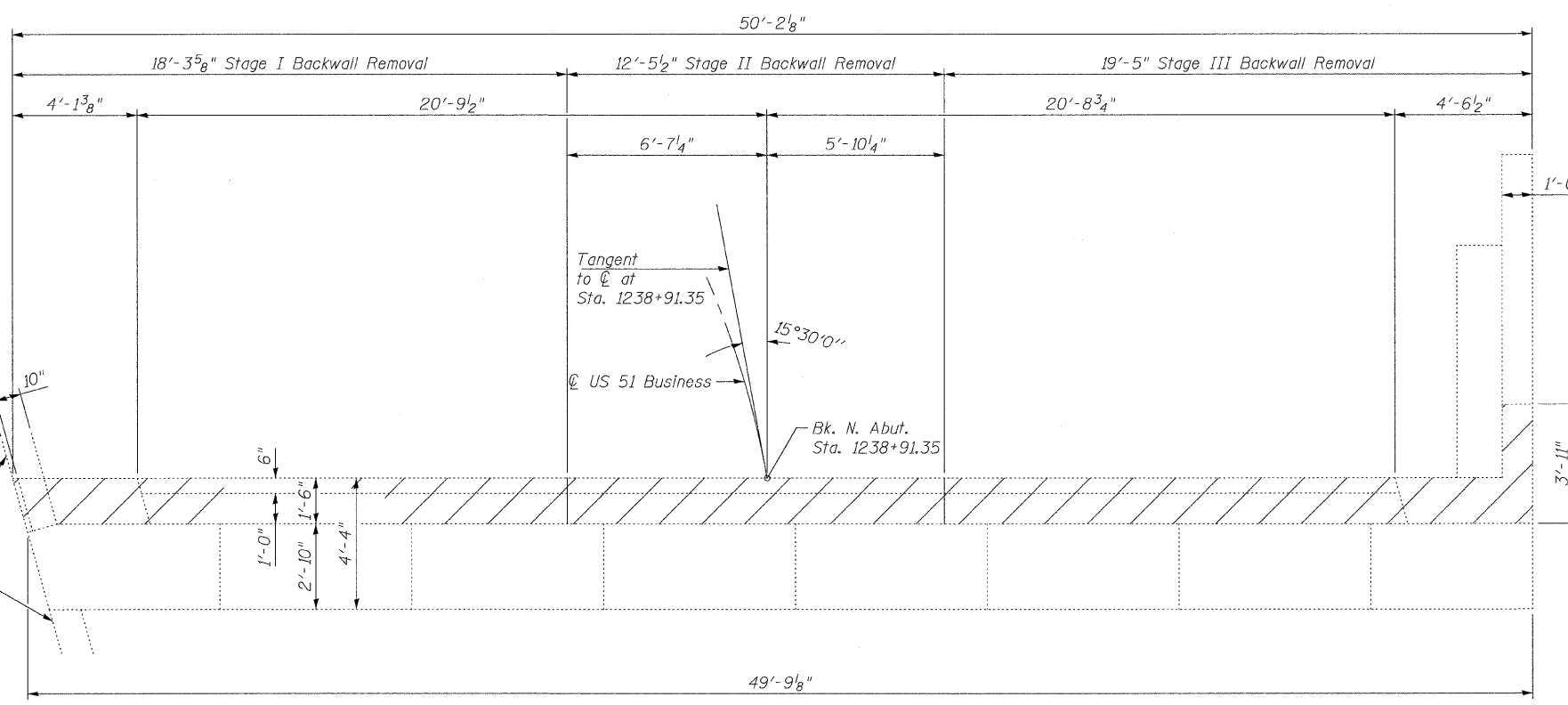


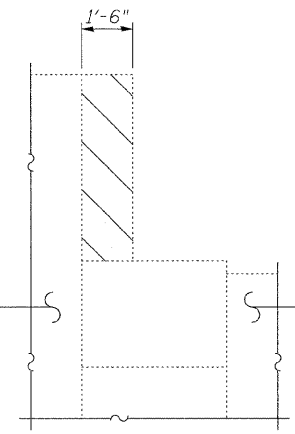
**ELEVATION**  
(Looking North)



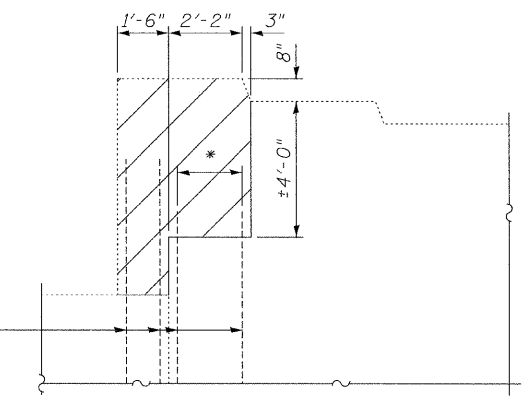
**SECTION A-A**



**TOP VIEW**



**WEST END VIEW**



**NORTHEAST WINGWALL ELEVATION**

\* Cut existing vertical reinforcement in wingwall 9" above removal line

Notes:  
Hatched areas indicate Concrete Removal.  
Existing reinforcement not extending into the areas of new construction shall be cut at the removal line and removed. Exposed portion will be covered with a layer of epoxy. Cost included with Concrete Removal.  
Existing reinforcement extending into the areas of new construction are to be cleaned, straightened and incorporated into the new construction. All reinforcement bars being reused that are damaged during concrete removal shall be replaced with an approved bar splicer or anchorage system. Cost included with Concrete Removal.

**CB** Coombe-Bloxdorf P.C.  
-CIVIL ENGINEERS-  
-STRUCTURAL ENGINEERS-  
-LAND SURVEYORS-  
Design Firm License No. 184-002703

PROJECT NO.	07086
SCALE	
DATE	
DESIGN BY	
DRAWN BY	CFC
CHECKED BY	GB/MCB

**BILL OF MATERIAL**

Item	Unit	Total
Concrete Removal	Cu. Yd.	13.1

**NORTH ABUTMENT CONCRETE REMOVAL DETAILS  
STRUCTURE NO. 058-0014**

SHEET NO. 34 49 SHEETS	F.A.P. RTE. 710	SECTION (50Z-VB)BR	COUNTY MACON	TOTAL SHEETS 79	SHEET NO. 60
	CONTRACT NO. 74215				
FED. ROAD DIST. NO. 7 ILLINOIS FED. AID PROJECT					