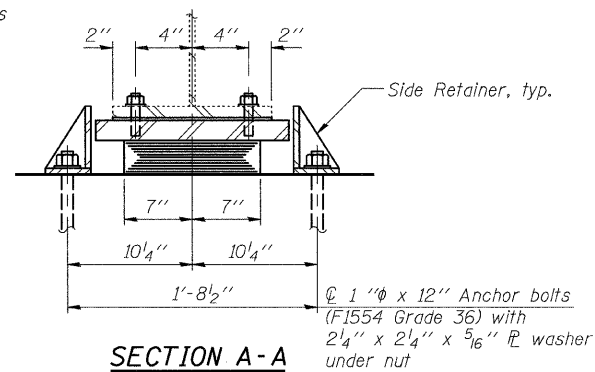
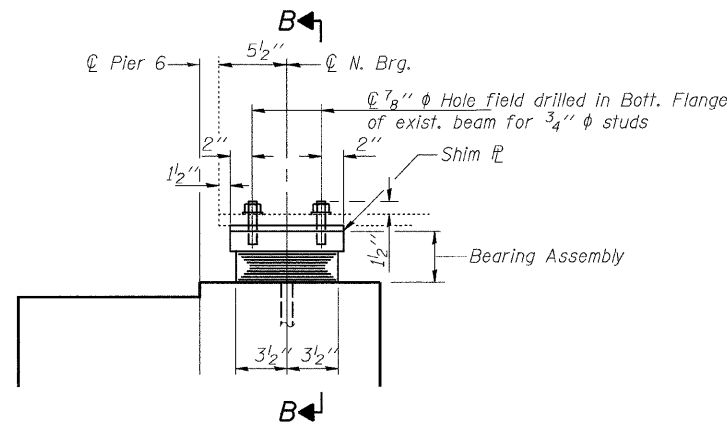


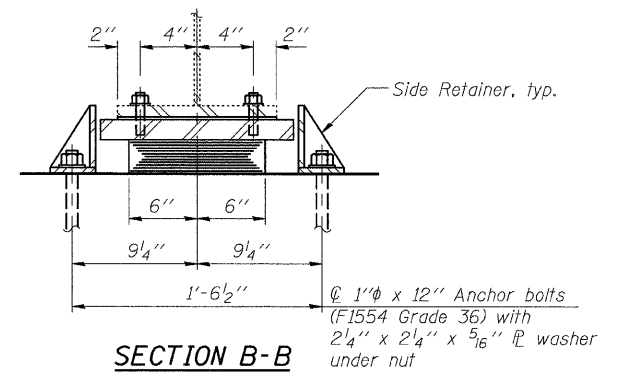
ELEVATION AT PIER 6
(Looking East-Showing South Bearing)



SECTION A-A



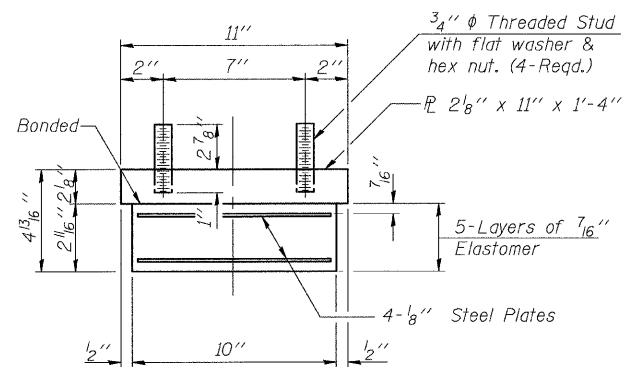
ELEVATION AT PIER 6
(Looking West-Showing North Bearing)



SECTION B-B

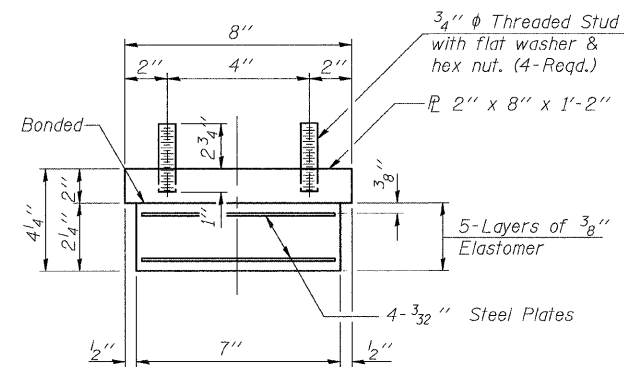
TYPE I ELASTOMERIC EXP. BRG.

TYPE I ELASTOMERIC EXP. BRG.



BEARING ASSEMBLY

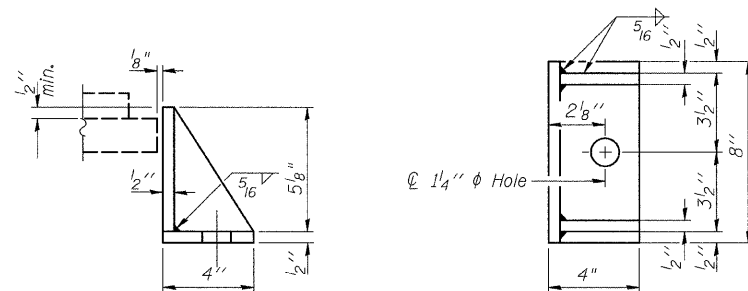
Note:
Shim plates shall not be placed under Bearing Assembly.



BEARING ASSEMBLY

Note:
Shim plates shall not be placed under Bearing Assembly.

Notes:
See Sheet 29 of 49 for Existing Bearing Removal Detail and Jacking and Cribbing Procedure.
Anchor bolts shall be ASTM F1554 all-thread (or an Engineer-approved alternate material) of the grade(s) and diameter(s) specified. ASTM A307 Grade C anchor bolts may be used in lieu of ASTM F1554 Grade 36 (Fy=36ksi). The corresponding specified grade of AASHTO M314 anchor bolts may be used in lieu of ASTM F1554.
Anchor bolts for side retainers may be cast in place or installed in holes drilled before or after members are in place.
Drilled and set anchor bolts shall be installed according to Article 521.06 of the Standard Specifications.
Side retainers and other steel members required for the bearing assembly shall be included in the cost of Elastomeric Bearing Assembly, Type I.
Cost of field drilling holes in bottom flange of exist. beam is included in the cost of Elastomeric Bearing Assembly, Type I.



SIDE RETAINER

Equivalent rolled angle with stiffeners will be allowed in lieu of welded plates.

BILL OF MATERIAL

Item	Unit	Total
Elastomeric Bearing Assembly, Type I	Each	16
Anchor Bolts, 1"	Each	32

BEARING DETAILS-PIER 6
STRUCTURE NO. 058-0014

CB Coombe-Bloxdorf P.C.
-CIVIL ENGINEERS-
-STRUCTURAL ENGINEERS-
-LAND SURVEYORS-
Design Firm License No. 184-002703

PROJECT NO.	07086
SCALE	
DATE	/ /
DESIGN BY	CME
DRAWN BY	TFG
CHECKED BY	MCB

SHEET NO. 31 49 SHEETS	F.A.P RTE.	SECTION	COUNTY	TOTAL SHEETS	SHEET NO.
	710	(50Z-VB)BR	MACON	79	57
			CONTRACT NO. 74215		
FED. ROAD DIST. NO. 7 ILLINOIS FED. AID PROJECT					