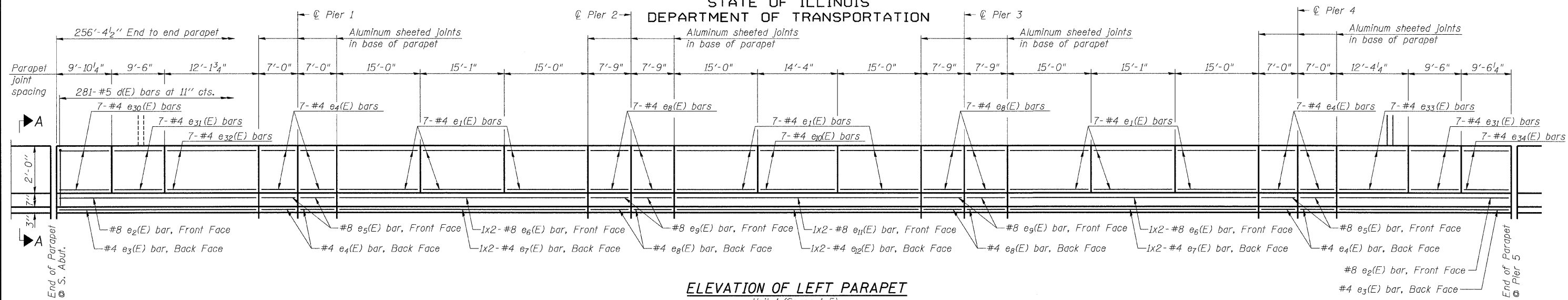
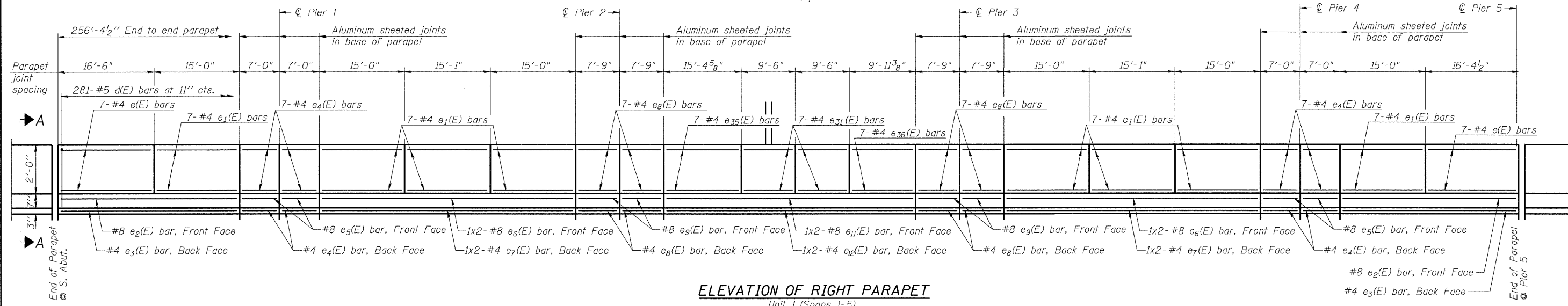


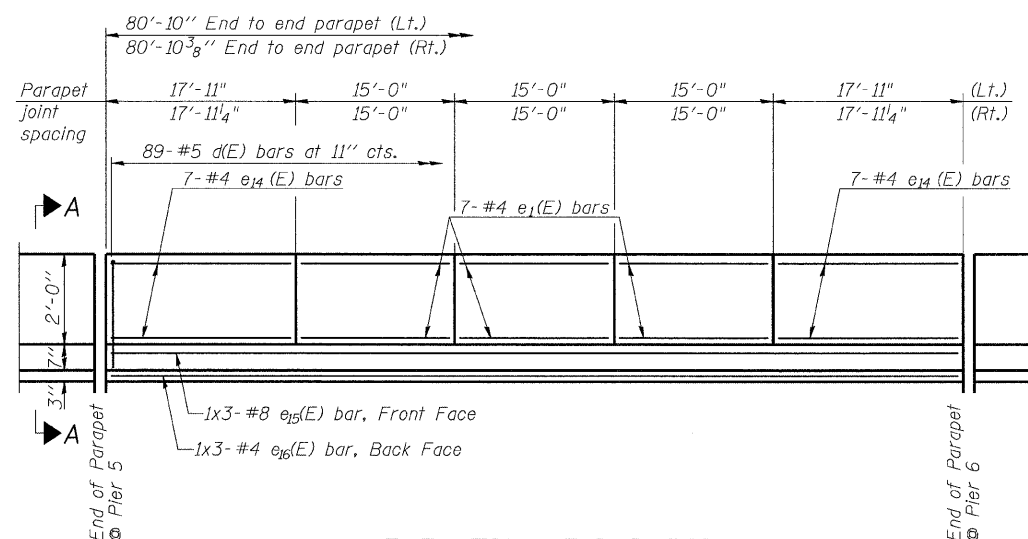
STATE OF ILLINOIS
DEPARTMENT OF TRANSPORTATION



ELEVATION OF LEFT PARAPET
Unit 1 (Spans 1-5)



ELEVATION OF RIGHT PARAPET
Unit 1 (Spans 1-5)



ELEVATION OF PARAPET
Unit 2 (Span 6)

MINIMUM BAR LAP
(Parapet)
#4 bar = 1'-4"
#8 bar = 3'-5"

| |
|--------------------|
| DESIGNED - MJB/MAJ |
| CHECKED - JFS |
| DRAWN - MSJ/MLB |
| CHECKED - MJB |



| | | | | | |
|---------------------------|-----------|---------------------------|--------|--------------|-----------|
| SHEET NO. 18 49 SHEETS | F.A. RTE. | SECTION | COUNTY | TOTAL SHEETS | SHEET NO. |
| | 710 | (50Z-VB)BR | MACON | 79 | 44 |
| CONTRACT NO. 74215 | | | | | |
| FED. ROAD DIST. NO. | | ILLINOIS FED. AID PROJECT | | | |

SUPERSTRUCTURE DETAILS
STRUCTURE NO. 058-0014