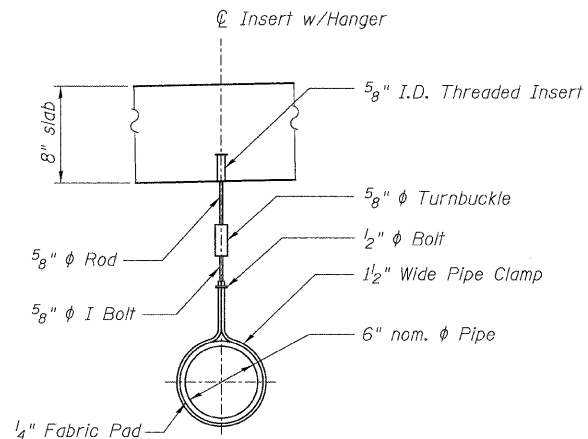
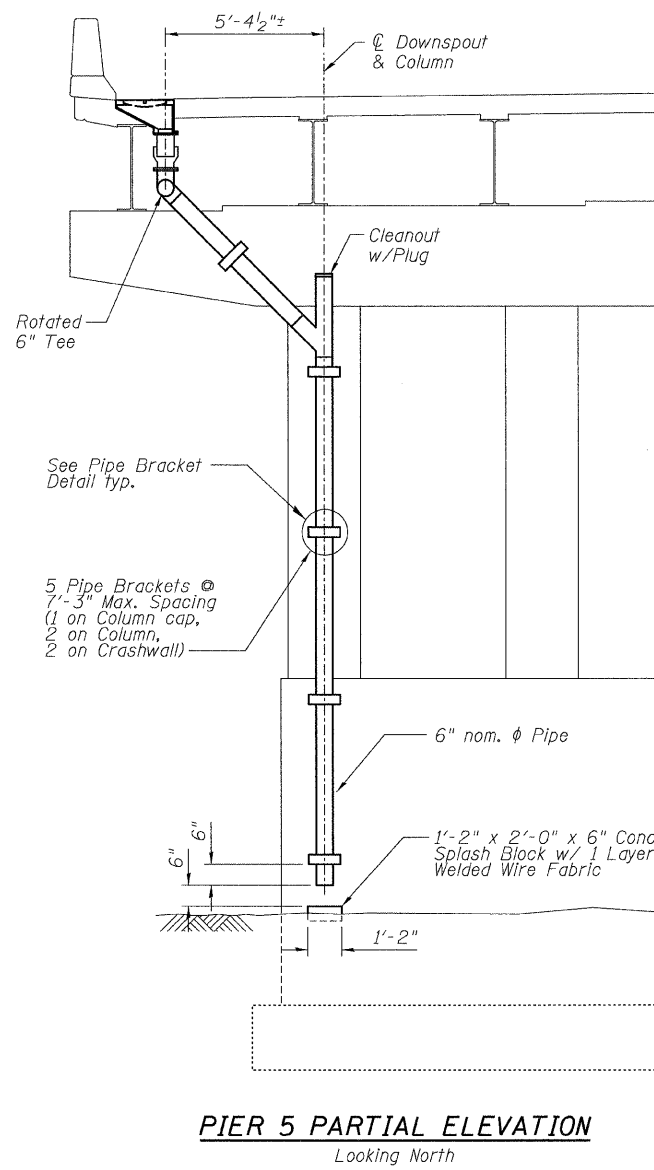
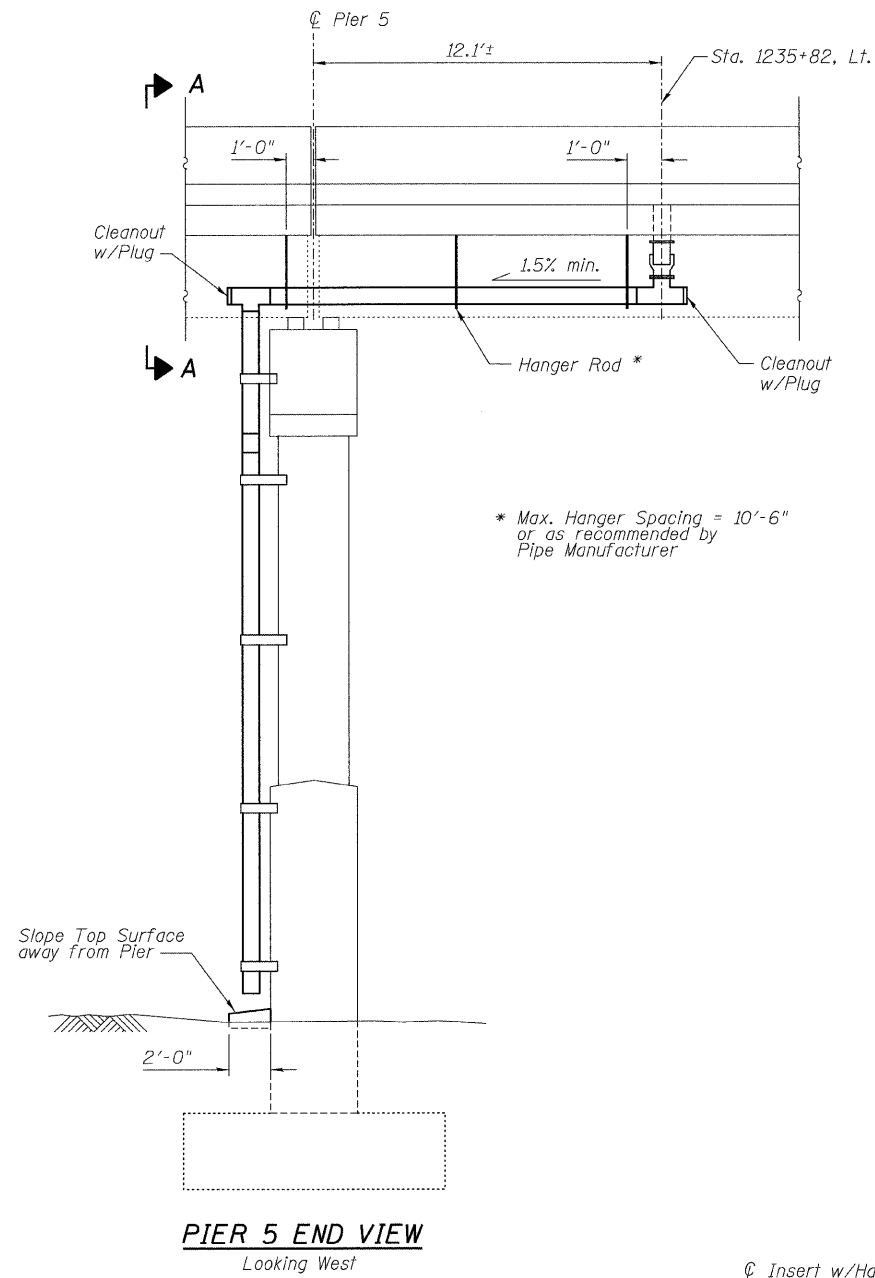
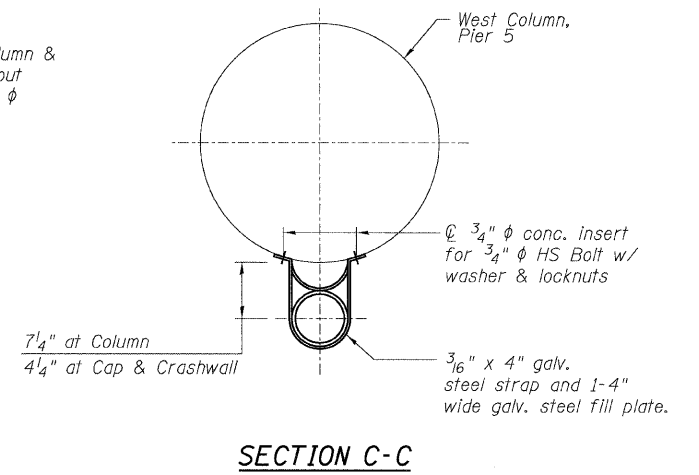
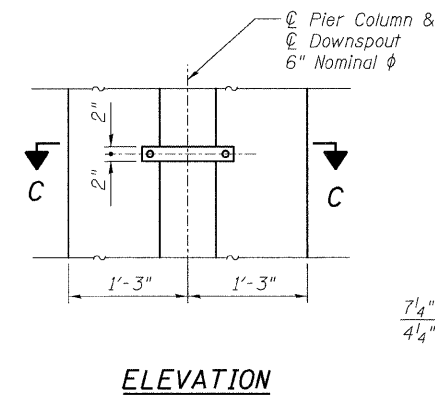
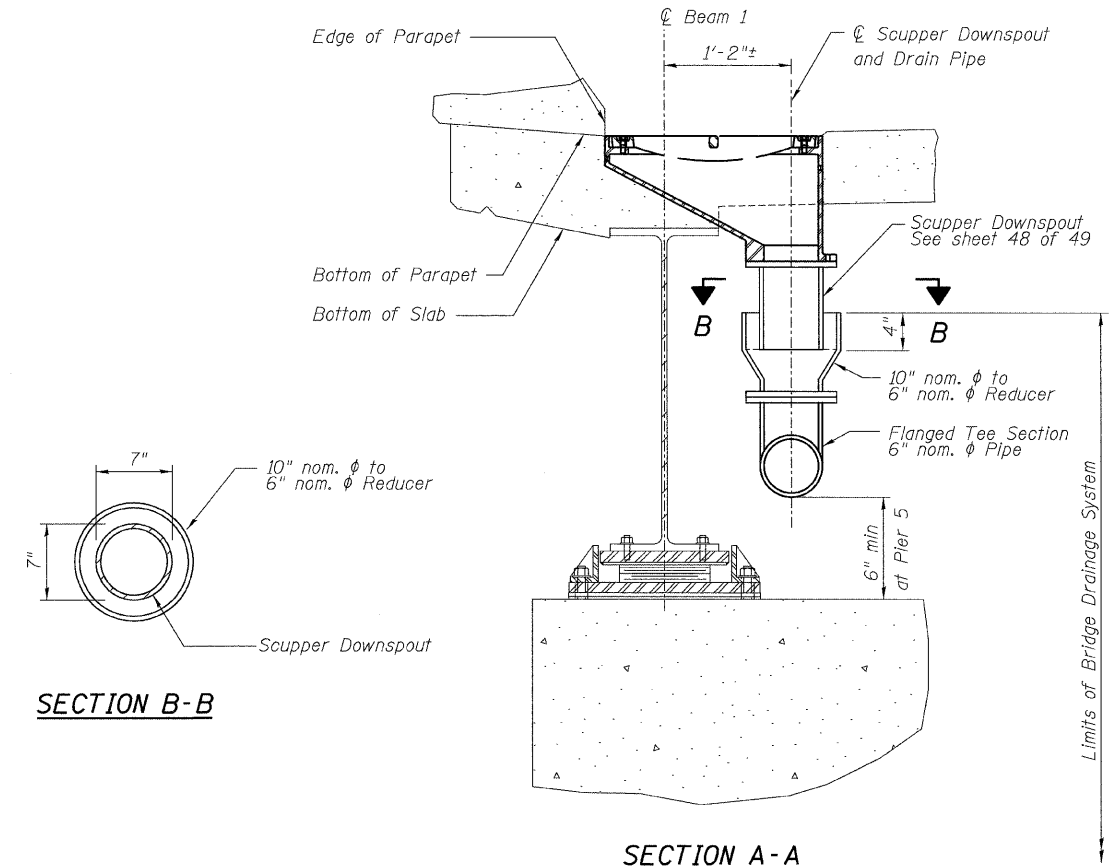


STATE OF ILLINOIS
DEPARTMENT OF TRANSPORTATION



HANGER DETAIL

Note:
Bottom of Pipe Clamp shall not
extend below Bottom of Beam



PIPE BRACKET DETAIL

Note:
Water from drainage scupper shall be piped
as shown to pier 5. See special provisions
for "Bridge Drainage System" for material
requirements, installation guidelines, paint
system requirements, and basis of payment.

| |
|--------------------|
| DESIGNED - MJB/MAJ |
| CHECKED - JFS |
| DRAWN - MSJ/MLB |
| CHECKED - MJB |

BRIDGE DRAINAGE SYSTEM
STRUCTURE NO. 058-0014

| | | | | | | |
|---|---------------|---------------------|------------|------------------|--------------|-----------|
| Foth Infrastructure & Environment, LLC 1610 Broadmoor Drive Champaign, IL 61821 Phone: 217-352-4169 Fax: 217-352-0085 Illinois Registration Number 184-004913 | SHEET NO. 17a | F.A. RTE. | SECTION | COUNTY | TOTAL SHEETS | SHEET NO. |
| | 49 SHEETS | 710 | (50Z-VB)BR | MACON | 79 | 43a |
| | | CONTRACT NO. 74215 | | | | |
| | | FED. ROAD DIST. NO. | ILLINOIS | FED. AID PROJECT | | |