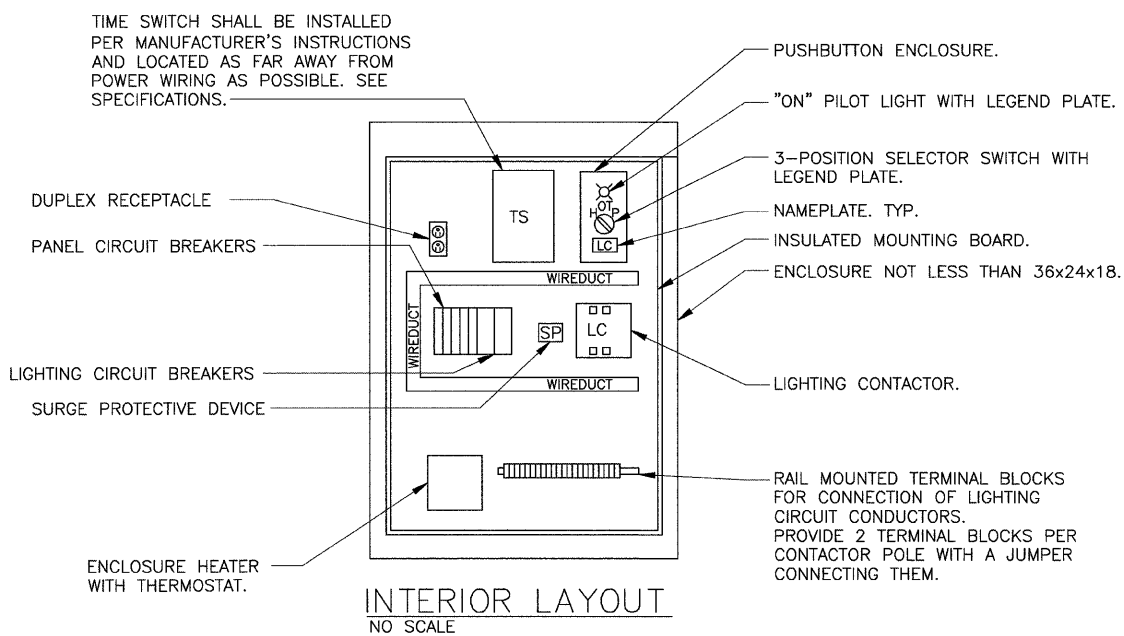
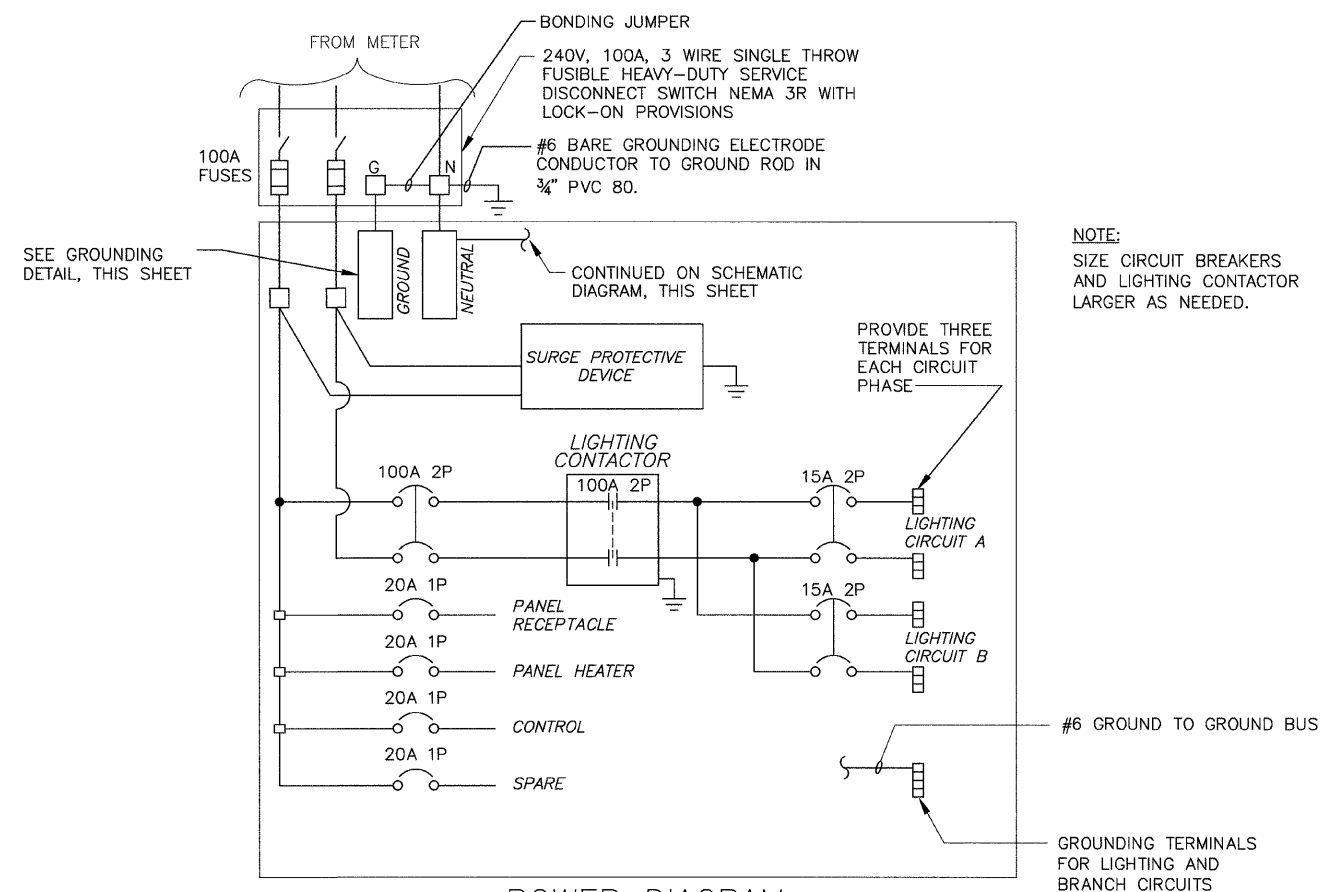


**SCHEMATIC DIAGRAM**  
NO SCALE

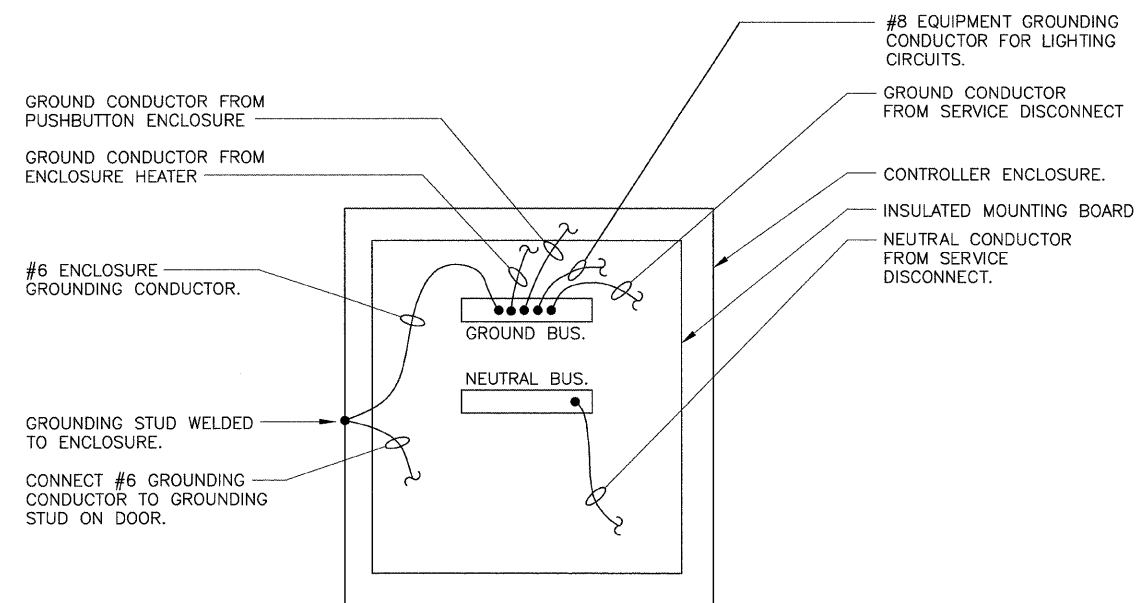
- NOTES:
1. PROVIDE ENGRAVED LEGEND PLATES FOR DEVICES WITH WORDING AS INDICATED IN QUOTES.
  2. CONTRACTOR SHALL PROGRAM TIMER TO TURN LIGHTS ON AT 15 MINUTES PRIOR TO SUNSET AND OFF AT 10 MINUTES PRIOR TO SUNRISE.
  3. ASTRONOMICAL DATA FOR DECATUR, ILLINOIS:  
LATITUDE: N 39° 51'  
LONGITUDE: W 88° 57'
  4. SIZE CIRCUIT BREAKERS AND FUSES LARGER AS NEEDED.
  5. PROVIDE PHOTOCELL OVERRIDE INPUT TO TIME SWITCH ACCORDING TO MANUFACTURERS INSTRUCTIONS. PROVIDE WIRING FROM POLE A3 PHOTOCELL TO CONTROLLER. SEE SHEET 22.



**INTERIOR LAYOUT**  
NO SCALE



**POWER DIAGRAM**  
NO SCALE



**GROUNDING DETAIL**  
NO SCALE

FILE NAME = X:\CH\VE\2007\07\017\cadd\Plans\Lighting\_05.dgn



|                               |                   |           |
|-------------------------------|-------------------|-----------|
| USER NAME = msj               | DESIGNED - JLF    | REVISED - |
| PLOT SCALE = 1:0000' / 1" IN. | DRAWN - JDK       | REVISED - |
| PLOT DATE = 4/23/2010         | CHECKED - DAR/TLO | REVISED - |
|                               | DATE - 4/21/2010  | REVISED - |

**STATE OF ILLINOIS**  
**DEPARTMENT OF TRANSPORTATION**

**LIGHTING CONTROLLER DETAILS**

SCALE: SHEET NO. OF SHEETS STA. TO STA.

|                                               |             |        |                    |           |
|-----------------------------------------------|-------------|--------|--------------------|-----------|
| F.A.P. RTE.                                   | SECTION     | COUNTY | TOTAL SHEETS       | SHEET NO. |
| 710                                           | (50Z-VB) BR | MACON  | 79                 | 24        |
| FED. ROAD DIST. NO. ILLINOIS FED. AID PROJECT |             |        | CONTRACT NO. 74215 |           |