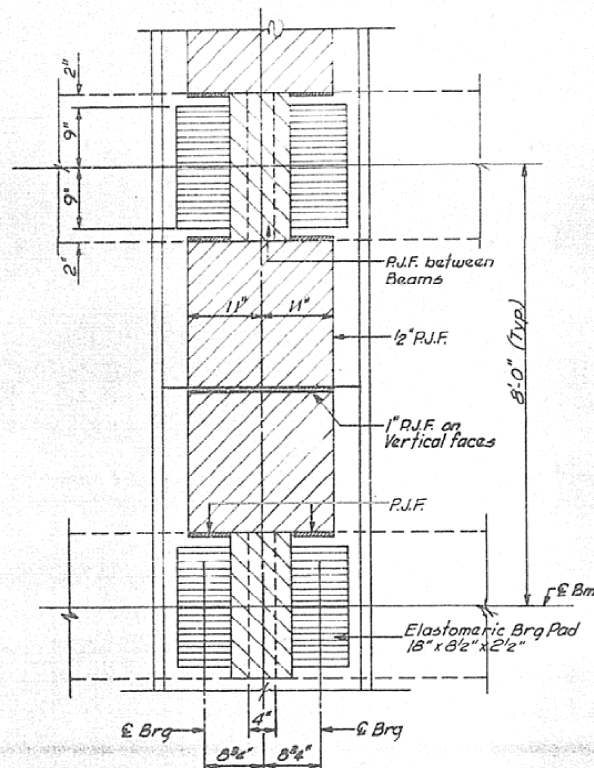


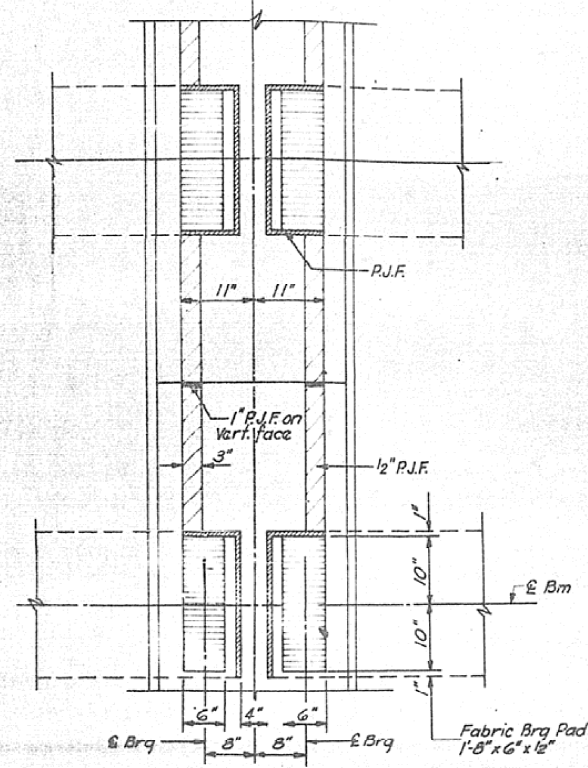
# AS-BUILT PLANS FOR INFORMATION ONLY

STATE OF ILLINOIS  
DEPARTMENT OF TRANSPORTATION

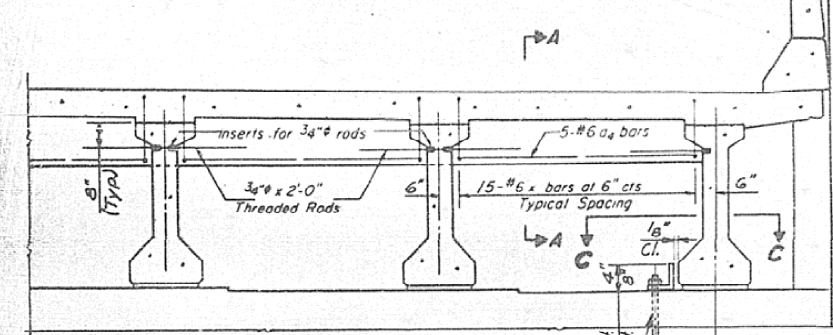
ROUTE NO.	SECTION	COUNTY	TOTAL SHEETS	SHEET NO.
65	124 BR	Dewitt	32	17
SHEET NO. 8 15 SHEETS				



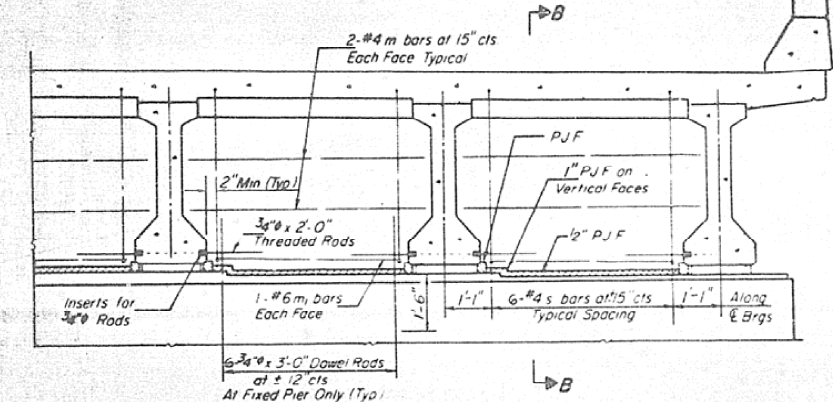
**PLAN AT EXPANSION PIER**



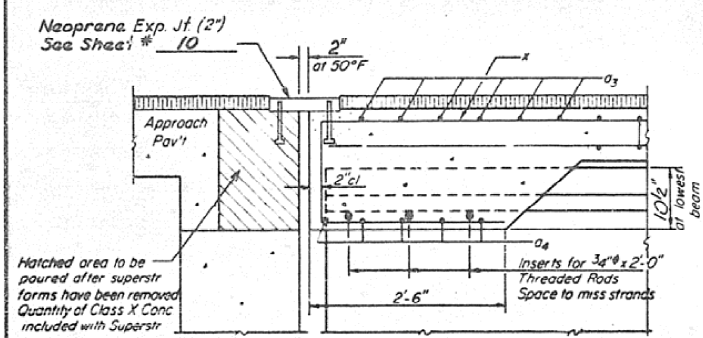
**PLAN AT FIXED PIER**



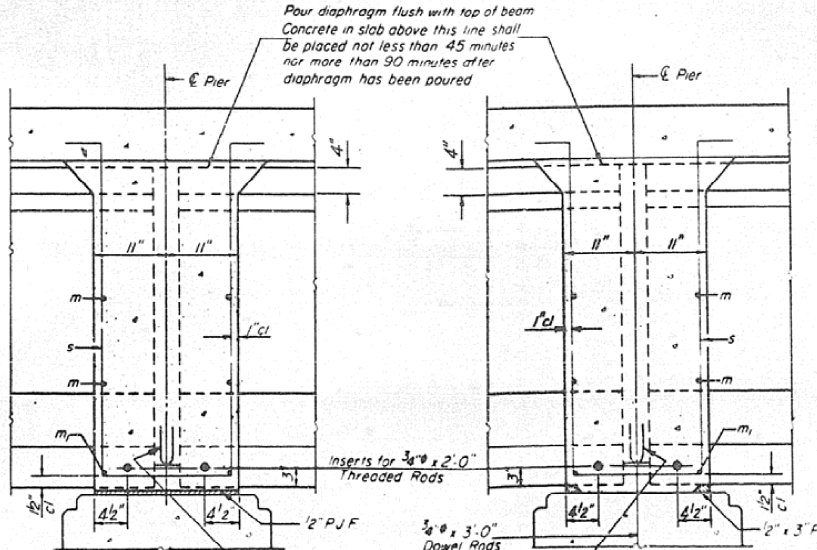
**DIAPHRAGM AT ABUTMENT**  
1" x 12" Anchor bolts with 2" x 2" x 5/16" washers under the nut. Grout bolts after beams are in place.



**DIAPHRAGM AT PIERS**

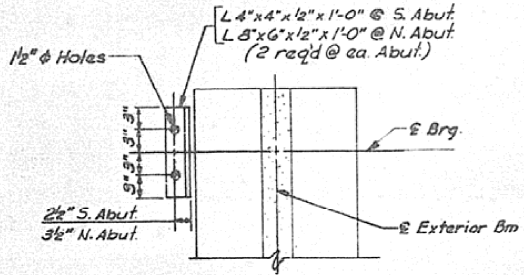


**SECTION A-A  
AT ABUTMENTS**  
(at R. Ls)

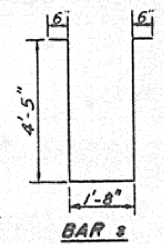


**SECTION B-B  
AT PIER 2**  
(Expansion)

**SECTION B-B  
AT PIER 1**  
(Fixed)



**SECTION C-C**  
(Cost of Angles & Anchor Bolts shall be incidental to Contract)



NOTE: Reinforcement bars shown on this sheet are included in Bill of Material on Sheet # 4.

**DIAPHRAGM DETAILS**  
FA. RT. 65 SEC. 124 BR.  
DEWITT COUNTY  
STA. 274 + 16.50

**BARGENT & LUNDY**  
ENGINEERS  
CHICAGO

DESIGNED **P. M. HOOD**  
CHECKED **P. MATONE**  
DRAWN **R. TAYLOR**  
CHECKED **P. M. HOOD**

SINCE 1918  
**WARREN & VAN PRAAG, INC.**  
CONSULTING ENGINEERS - ARCHITECTS

DECATUR ILLINOIS    ST. LOUIS MISSOURI    CHICAGO ILLINOIS    DAVENPORT IOWA

PI-2J 1-15-73

FILE NAME =	USER NAME = simgm	DESIGNED - GMS	REVISED -	<b>STATE OF ILLINOIS DEPARTMENT OF TRANSPORTATION</b>	<b>AS-BUILT PLANS FOR INFORMATION ONLY</b>	F.A.P. RTE.	SECTION	COUNTY	TOTAL SHEETS	SHEET NO.	
ct:\pwork\VP\DDT\SIMSGM\d8179794\05705	31-sht-Bridge Repair Plans.dgn	DRAWN - GMS	REVISED -			760	124 BR-1	DEWITT	23	17	
PLOT SCALE = 41.6516' / IN.		CHECKED -	REVISED -			CONTRACT NO. 70531					
PLOT DATE = 2/19/2010		DATE -	REVISED -			FED. ROAD DIST. NO. - ILLINOIS FED. AID PROJECT					
						SCALE: _____	SHEET NO. 14 OF 16 SHEETS	STA. _____	TO STA. _____		