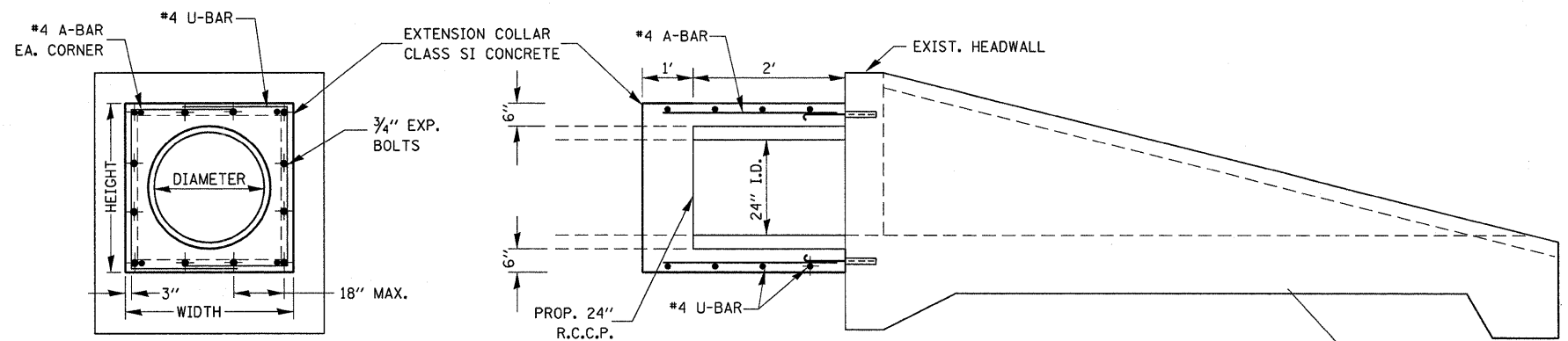


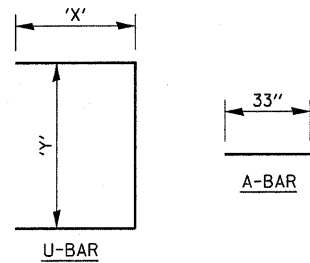
FURNISHED EXCAVATION AROUND SIGN POSTS
MM 317.2 (SBL) AND MM 323.5 (SBL)



*THE EXISTING END SECTION IS ANCHORED TO THE EXISTING PIPE CULVERT. IT IS ESTIMATED THAT 1' OF PIPE CULVERT WILL BE DAMAGED WHEN MOVING THE END SECTION TO NEW LOCATION. THE COST OF MOVING THE END SECTION AND BREAKING THE EXISTING SEAL WILL BE INCLUDED IN THE COST OF PIPE CULVERT, CLASS A

EXPANSION BOLTS SHALL CONSIST OF SELF DRILLING EXPANSION SHIELDS AND 3/4 " DIA. HOOKED BOLTS. HOOKED BOLTS SHALL EXTEND A MINIMUM OF 9" INTO NEW CONCRETE. BOLTS SHALL BE DRILLED IN THE CENTER OF THE EXISTING BOX CULVERT BARREL WALLS. MINIMUM CERTIFIED PROOF LOAD = 4,080 LBS.

THE EXISTING STRUCTURE & PIPE CULVERT ARE TO BE CLEANED. THE COST OF THIS WORK IS TO BE INCLUDED IN THE PRICE PER CU. YD. FOR CLASS SI CONCRETE (MISCELLANEOUS).



QUANTITIES ARE FOR END SECTION ONLY

LOCATION	PIPE DIMENSION	PIPE AREA	EXTENSION COLLAR		A-BAR	U-BAR		CONC. COLLAR	REINFORCEMENT BARS	EXPANSION BOLTS 3/4 INCH	PIPE CULVERT CL. A TY. 1 24"
			WIDTH	HEIGHT		"X"	"Y"				
			IN.	IN.		IN.	IN.				
719+00 NB MED.	24	4.9	42	42	33	26	36	1.2	47	12	3
730+00 NB MED.	24	4.9	42	42	33	26	36	1.2	47	12	3

COLLAR DETAIL (R.C.C.P. EXTENSION OF PRECAST END SECTION)