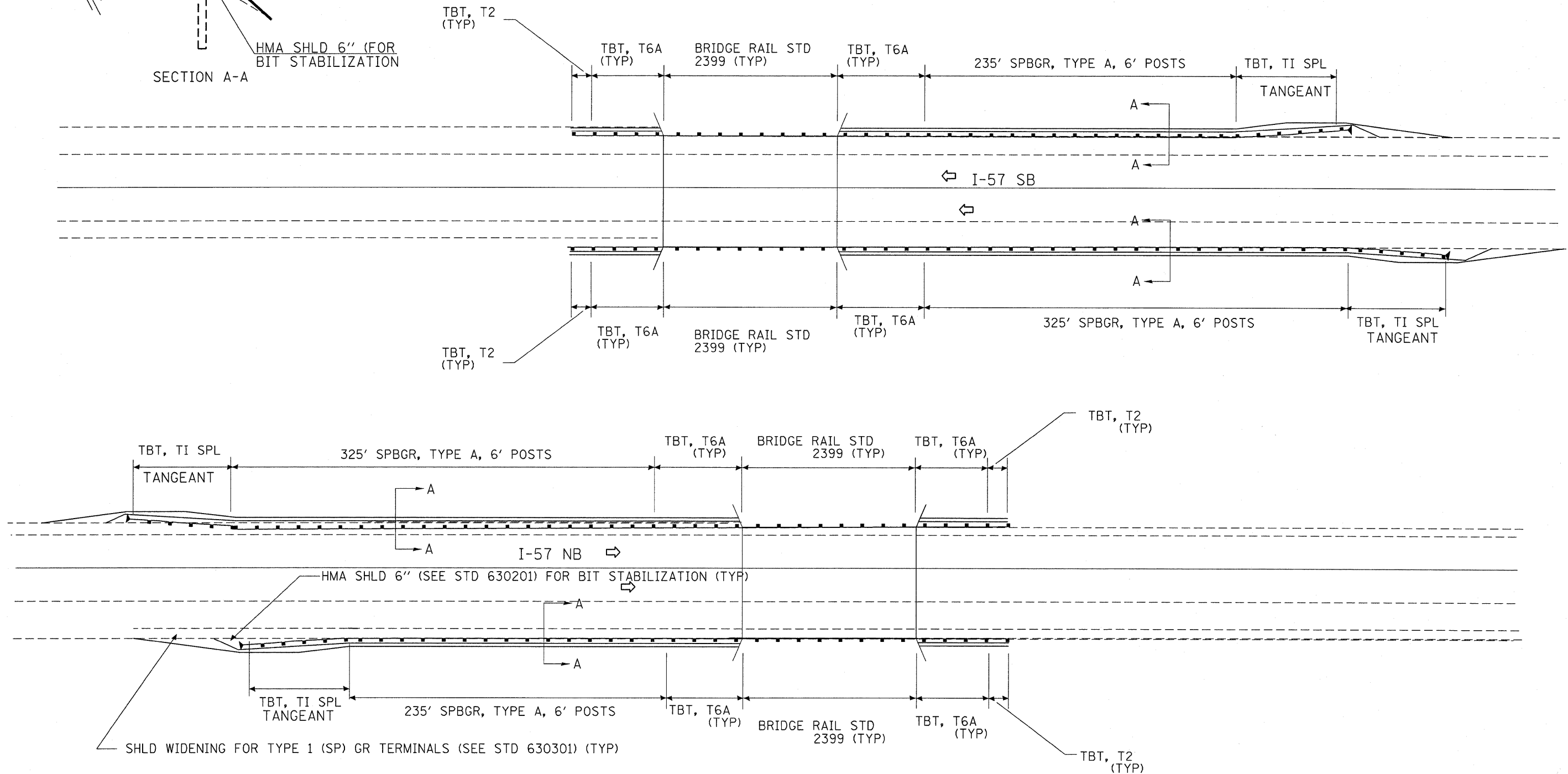
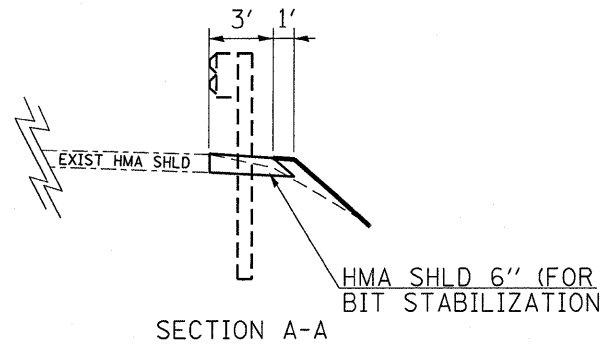


NOTE: NOT TO SCALE



GUARDRAIL TREATMENT AT SN'S 046-0018 AND 046-0019

FILE NAME =	USER NAME = braboypc	DESIGNED -	REVISED -	STATE OF ILLINOIS DEPARTMENT OF TRANSPORTATION	GUARDRAIL DETAILS	F.A.I. RTE.	SECTION	COUNTY	TOTAL SHEETS	SHEET NO.	
c:\pw\work\p1dot\braboypc\dms30564\d	braboypc	DRAWN -	REVISED -			57	(46-1.2)BS-3-&.I	KANKAKEE	115	54	
		CHECKED -	REVISED -			CONTRACT NO. 66608					
		DATE -	REVISED -			ILLINOIS FED. AID PROJECT					
PLOT SCALE = 1250.0000' / IN.		DATE -		SCALE: _____		SHEET NO. ___ OF ___ SHEETS		STA. _____ TO STA. _____			
PLOT DATE = Mar 25, 2010 - 12:30:09 PM											