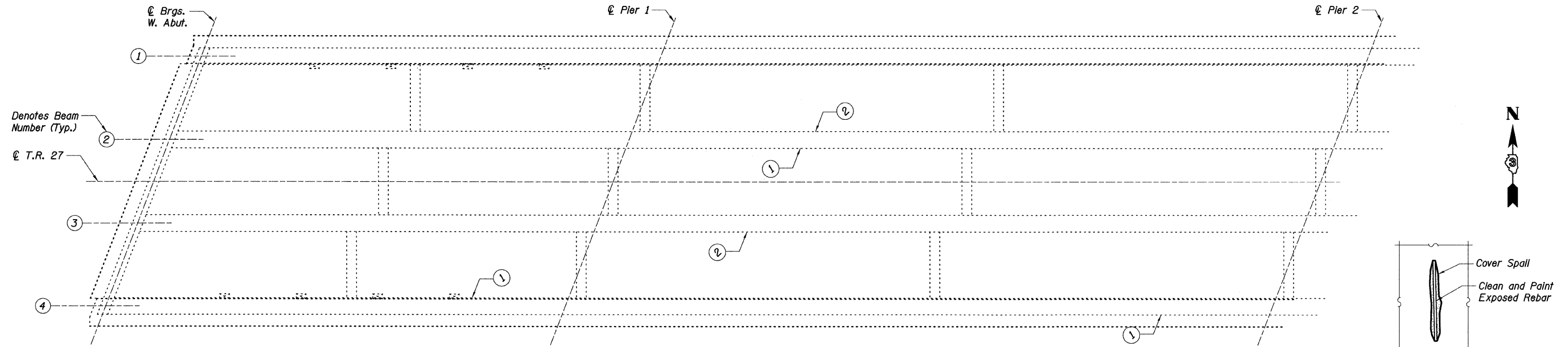
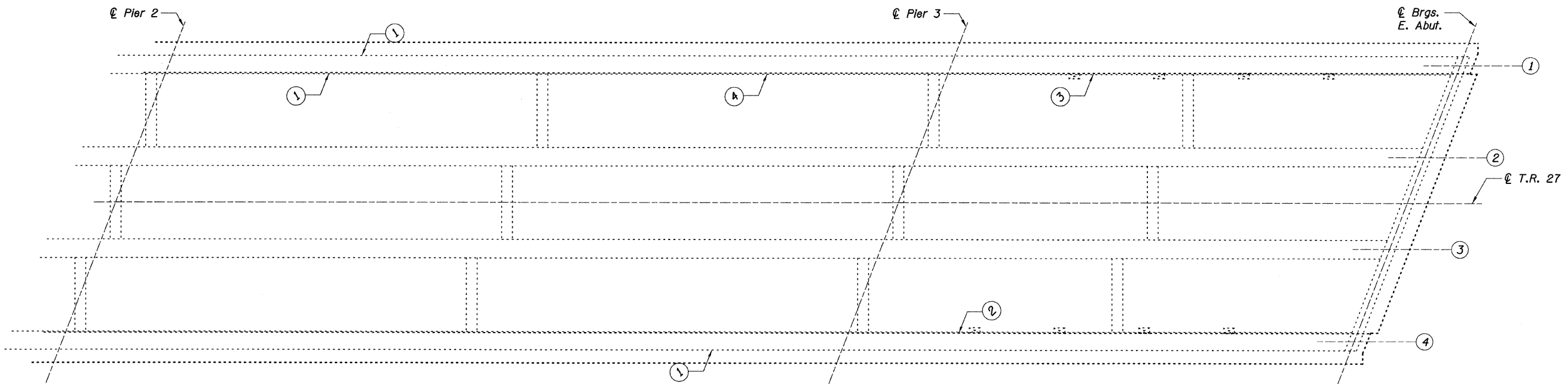


STATE OF ILLINOIS
DEPARTMENT OF TRANSPORTATION



**CLEANING AND PAINTING
EXPOSED REBAR**



SUPERSTRUCTURE REPAIR PLAN

LEGEND

Denotes Number of Cover Spalls w/ Exposed Reinforcement to be Cleaned and Painted

SUPERSTRUCTURE REPAIR PLAN I
T.R. 27 OVER I-57
F.A.I. RTE. 57 - SEC. (46-1,2)RS-3&I
KANKAKEE COUNTY
STA. 528+21.00
S.N. 046-0085

DESIGNED: GWG
CHECKED: KPZ
DRAWN: MAM
CHECKED: KPZ

Baker

SHEET NO. S25	F.A.I. RTE. 57	SECTION (46-1,2)RS-3&I	COUNTY KANKAKEE	TOTAL SHEETS 115	SHEET NO. 50
S27 SHEETS			CONTRACT NO. 66608		
FED. ROAD DIST. NO. 7 ILLINOIS FED. AID PROJECT					

h:\181772_wol\3.0 deliverables\3.3 sstructure\drawings\find\vd3_0085superstr.dgn
4/7/2010