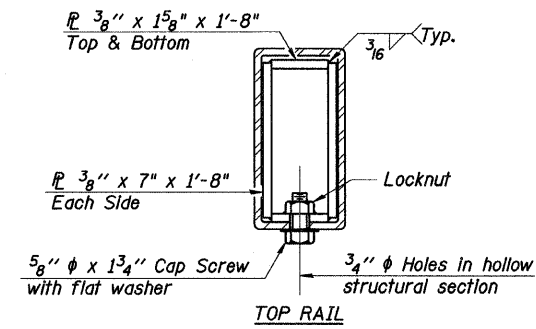
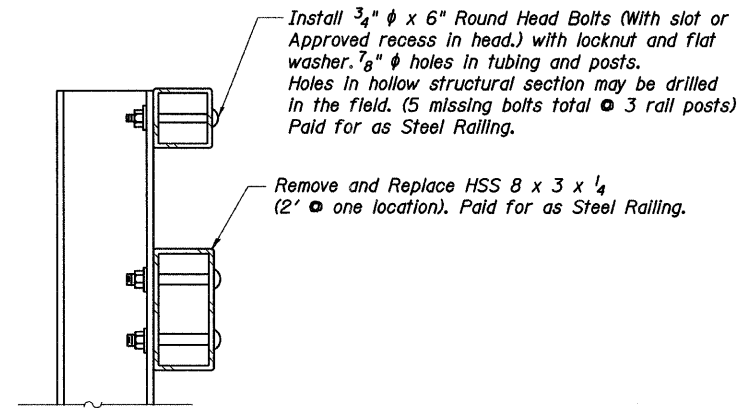
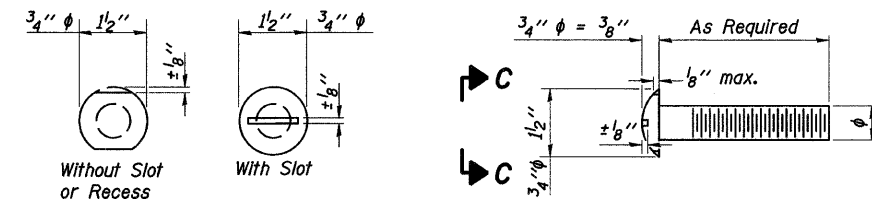
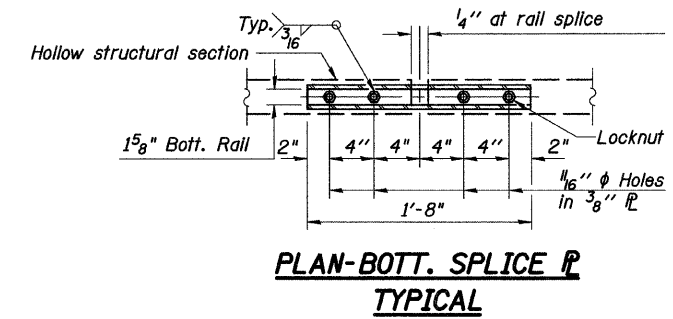


STATE OF ILLINOIS
DEPARTMENT OF TRANSPORTATION



SECTIONS AT RAIL SPLICE



DETAIL OF $\frac{3}{4}$ " ϕ ROUND HEAD BOLTS

Notes:
All field drilled holes shall be coated with an approved zinc rich paint before erection.
All steel rail elements shall be galvanized according to Article 509.05 of the Standard Specifications.
Cost of all material and labor required to complete the work is included in the unit cost per foot of Steel Railing.

**STEEL RAILING REPAIR
LAKE MANTENO RD. OVER I-57
F.A.I. RTE. 57 - SEC. (46-1,2)RS-3&I
KANKAKEE COUNTY
STA. 697+99.50
S.N. 046-0084**

D:\18172_wol\3.0 deliverables\3.3 structure drawings\drawings\final\c2a 0084 railing repair.dgn 4/7/2010

DESIGNED:	GWG
CHECKED:	KPZ
DRAWN:	MAN
CHECKED:	KPZ

Baker

SHEET NO. S17A	F.A.I. RTE.	SECTION	COUNTY	TOTAL SHEETS	SHEET NO.
	57	(46-1,2)RS-3&I	KANKAKEE	115	42A
S27 SHEETS	CONTRACT NO. 66608				
FED. ROAD DIST. NO. 7 ILLINOIS FED. AID PROJECT					