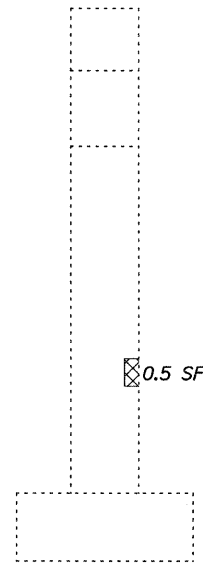
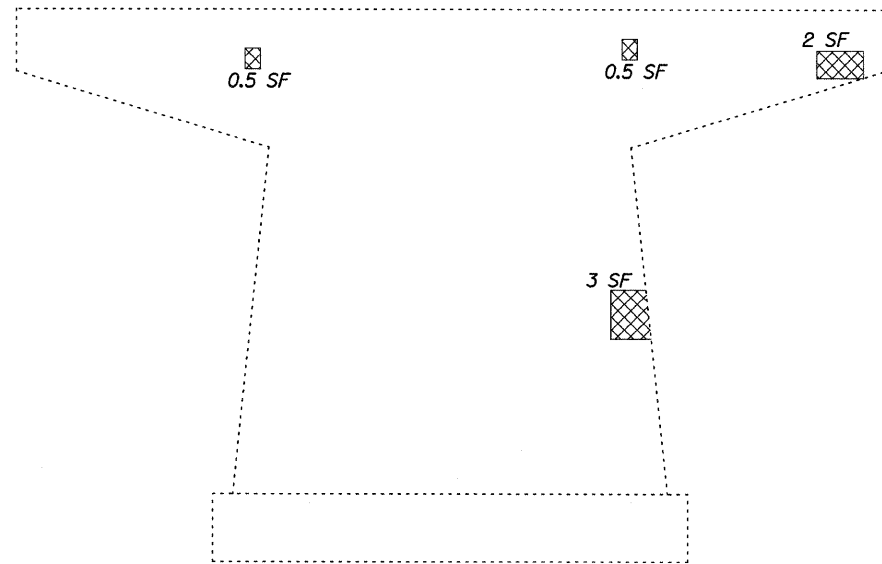


STATE OF ILLINOIS  
DEPARTMENT OF TRANSPORTATION



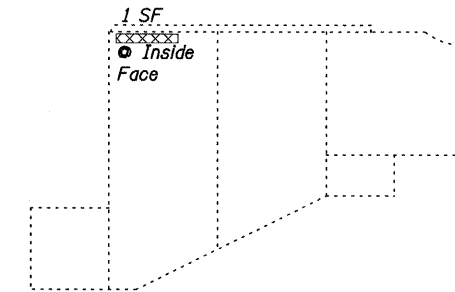
**PIER 1 - SOUTH FACE**



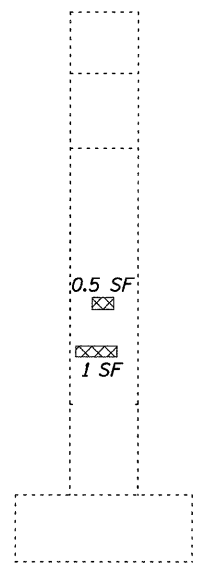
**PIER 1 - EAST FACE**



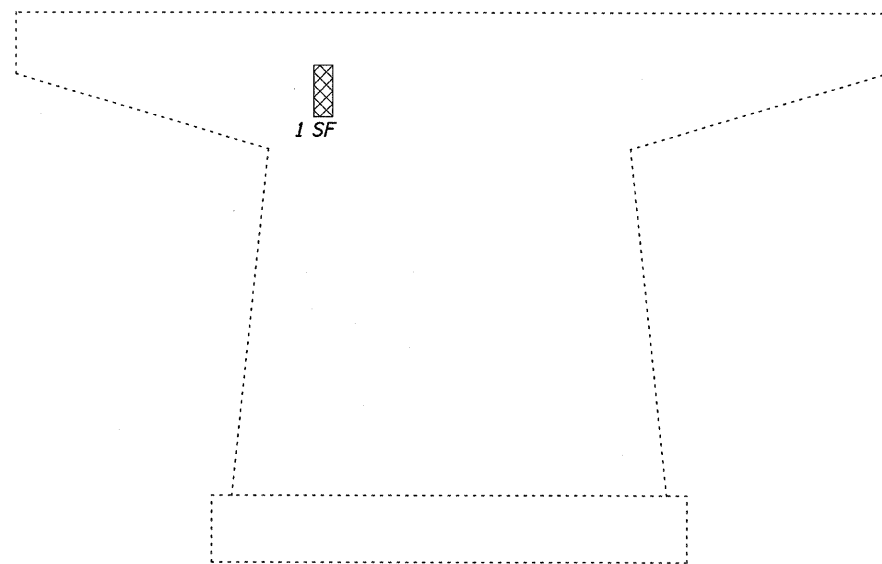
**WEST ABUTMENT**



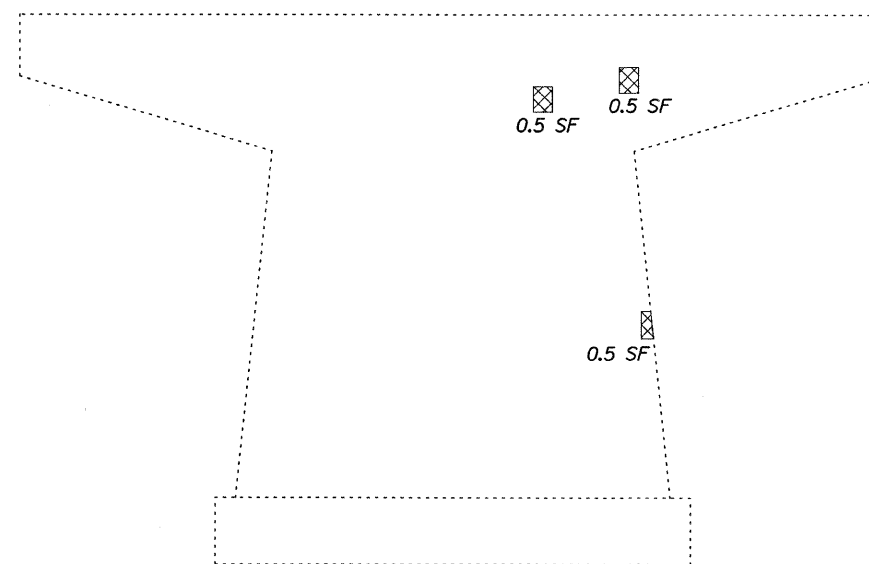
**NW WING**



**PIER 3 - SOUTH FACE**



**PIER 3 - EAST FACE**



**PIER 3 - WEST FACE**

**LEGEND**



Structural Repair of Concrete (Depth Equal to or Less Than 5")

**SUBSTRUCTURE REPAIR PLAN**  
**STEGER ROAD OVER I-57**  
**F.A.I. RTE. 57 - SEC. (46-1,2)RS-3&I**  
**KANKAKEE COUNTY**  
**STA. 815+16.50**  
**S.N. 046-0083**

SHEET NO. S15	F.A.I. RTE.	SECTION	COUNTY	TOTAL SHEETS	SHEET NO.
	57	(46-1,2)RS-3&I	KANKAKEE	115	40
S27 SHEETS			CONTRACT NO. 66608		
FED. ROAD DIST. NO. 7 ILLINOIS FED. AID PROJECT					

h:\18772\_wol\3.0 deliverables\3.3 structure drawings\final\b7\_0083substr.dgn  
4/7/2010

DESIGNED:	GWC
CHECKED:	KPZ
DRAWN:	MAM
CHECKED:	KPZ