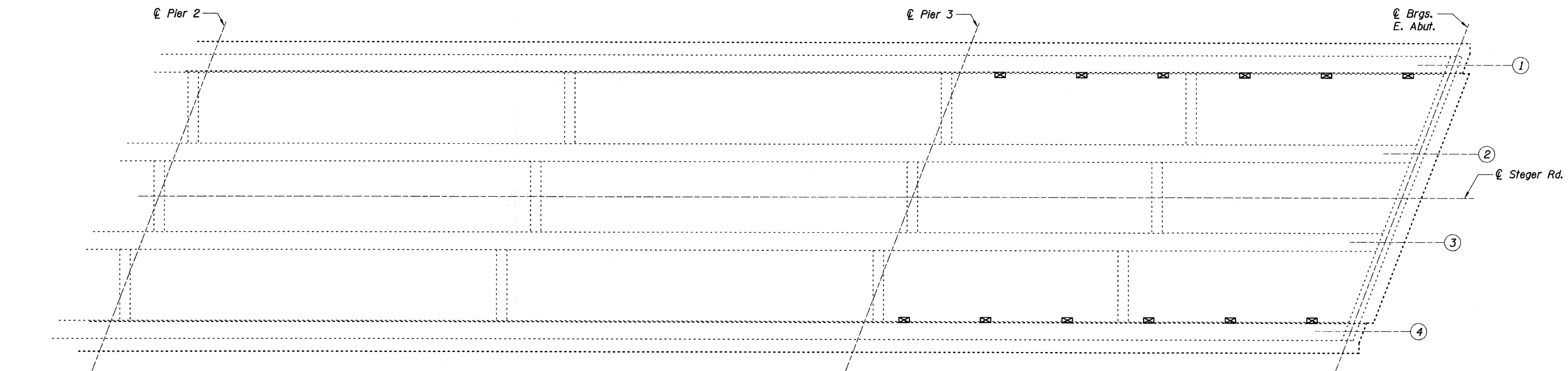
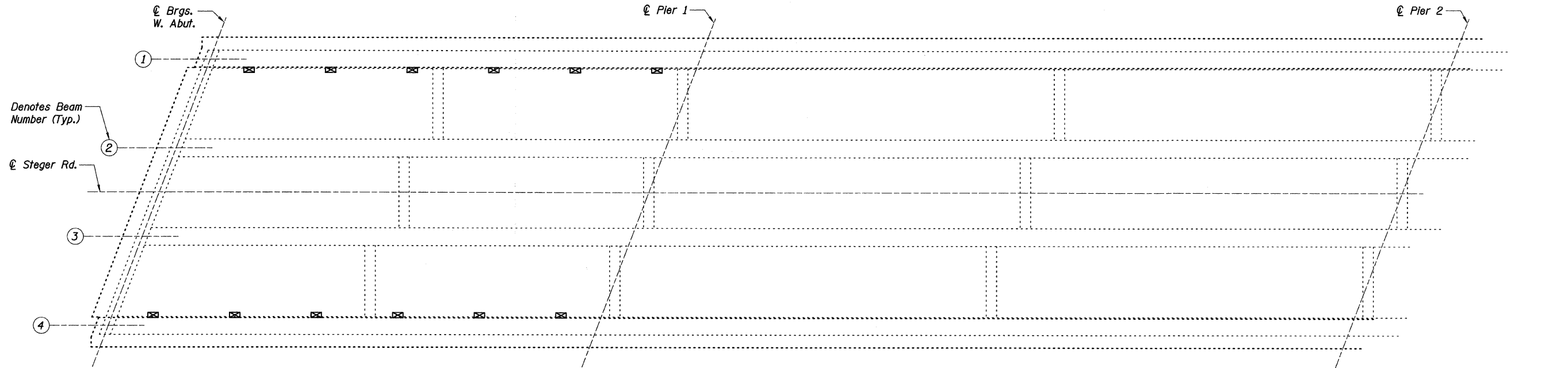


STATE OF ILLINOIS
DEPARTMENT OF TRANSPORTATION



AS-BUILT SUPERSTRUCTURE REPAIR PLAN

Note: The Engineer shall mark actual locations and dimensions of superstructure repairs on plan above.

SUPERSTRUCTURE REPAIR PLAN II
STEGER ROAD OVER I-57
F.A.I. RTE. 57 - SEC. (46-1,2)RS-3&I
KANKAKEE COUNTY
STA. 815+16.50
S.N. 046-0083

h:\18772_wol\3.0 deliverables\3.3 structure\drawings\final\b5_0083superstr2.dgn
4/7/2010

DESIGNED:	GWG
CHECKED:	KPZ
DRAWN:	MAM
CHECKED:	KPZ

Baker

SHEET NO. S13	F.A.I. RTE.	SECTION	COUNTY	TOTAL SHEETS	SHEET NO.
S27 SHEETS	57	(46-1,2)RS-3&I	KANKAKEE	115	38
			CONTRACT NO. 66608		
FED. ROAD DIST. NO. 7 ILLINOIS FED. AID PROJECT					