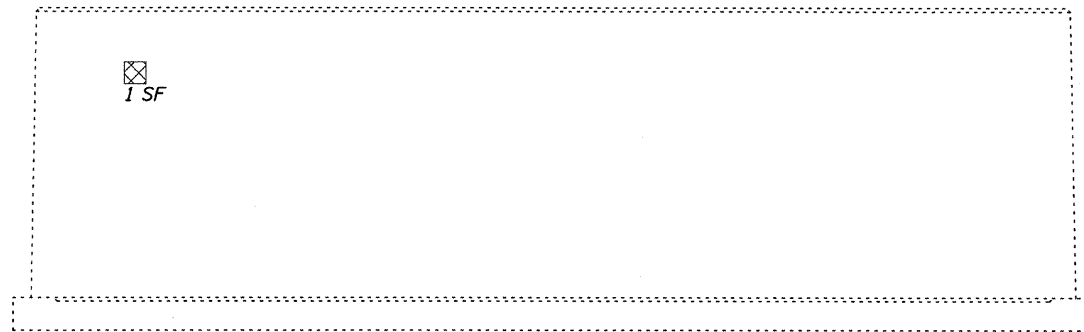
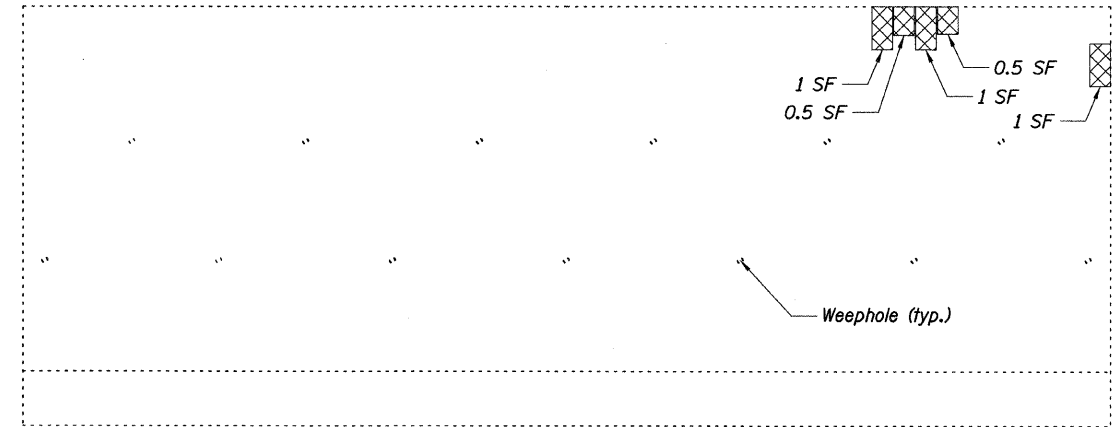


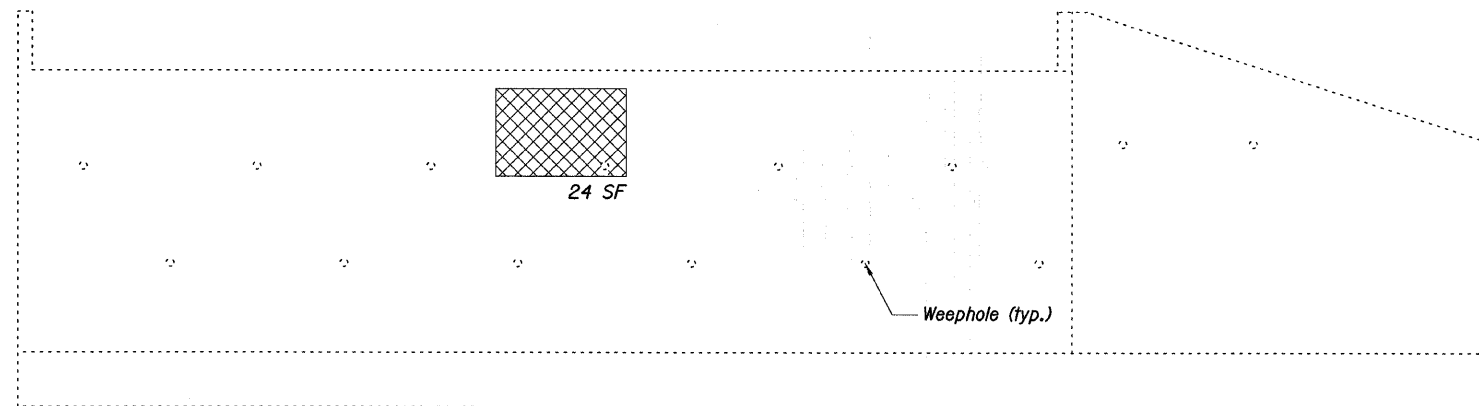
STATE OF ILLINOIS
DEPARTMENT OF TRANSPORTATION



PIER 2 LOOKING NORTH



NORTH RETAINING WALL



SOUTH ABUTMENT

LEGEND



Structural Repair of Concrete (Depth Equal to or Less Than 5")

S.N. 046-0018 SUBSTRUCTURE REPAIR PLAN
I-57 OVER ROCK CREEK
F.A.I. RTE. 57 - SEC. (46-1,2)RS-3&I
KANKAKEE COUNTY
STA. 549+60.00
S.N. 046-0018 & S.N. 046-0019

D:\1872_woll\3.0 deliverables\3.3 structure\drawings\final\at 0018substr1.dgn 4/7/2010

DESIGNED:	GWG
CHECKED:	KPZ
DRAWN:	MAN
CHECKED:	KPZ

Baker

SHEET NO. S7	F.A.I. RTE.	SECTION	COUNTY	TOTAL SHEETS	SHEET NO.
	57	(46-1,2)RS-3&I	KANKAKEE	115	32
S27 SHEETS	CONTRACT NO. 66608				
FED. ROAD DIST. NO. 7 ILLINOIS FED. AID PROJECT					