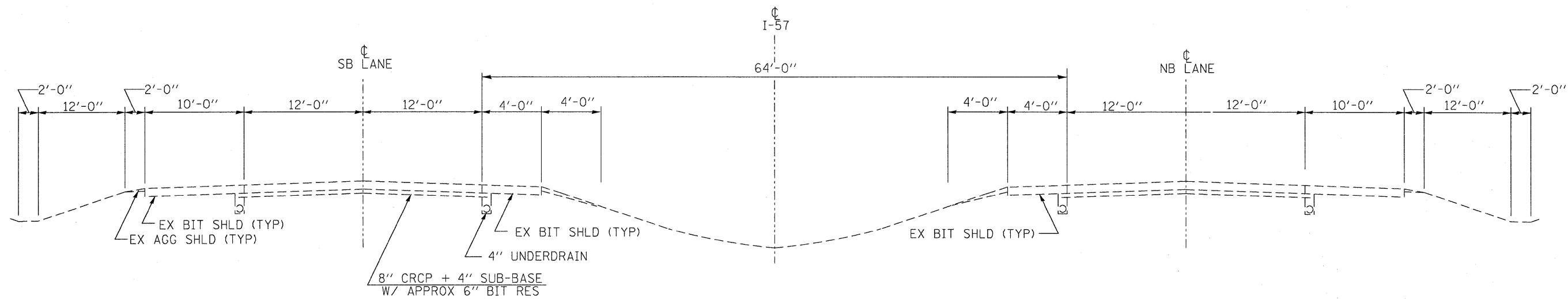


EXISTING ROADWAY TYPICAL SECTION  
 STA.371+00 TO STA.422+00



EXISTING ROADWAY TYPICAL SECTION  
 STA.422+00 TO STA.818+00

FILE NAME =	USER NAME = braboyco	DESIGNED -	REVISD -	<b>STATE OF ILLINOIS DEPARTMENT OF TRANSPORTATION</b>	<b>TYPICAL SECTIONS</b>	F.A. RTE. =	SECTION	COUNTY	TOTAL SHEETS	SHEET NO.
c:\pwork\pwork\dot\braboyco\dms38564\dets1s.dgn	DRAWN -	REVISD -	57			496-1.218S-3-I	KANKAKEE	115	7	
PLOT SCALE = 1271.9487' / IN.	CHECKED -	REVISD -	CONTRACT NO. 66608							
PLOT DATE = Mar 25, 2010 - 12:34:42 PM	DATE -	REVISD -	FED. ROAD DIST. NO. - ILLINOIS FED. AID PROJECT							
						SCALE: _____	SHEET NO. _____ OF _____ SHEETS	STA. _____ TO STA. _____		