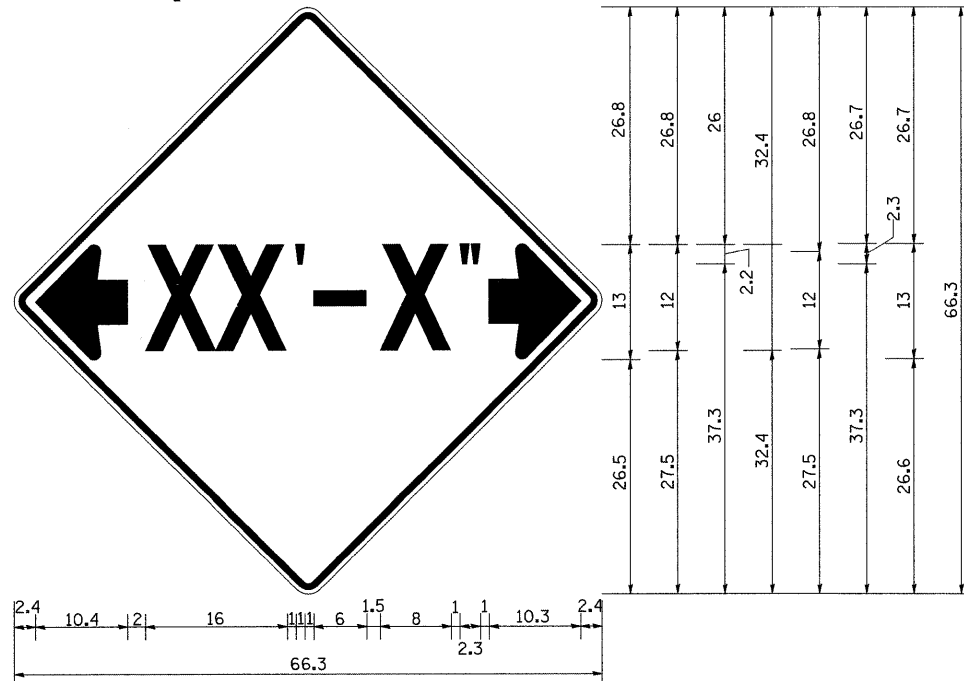
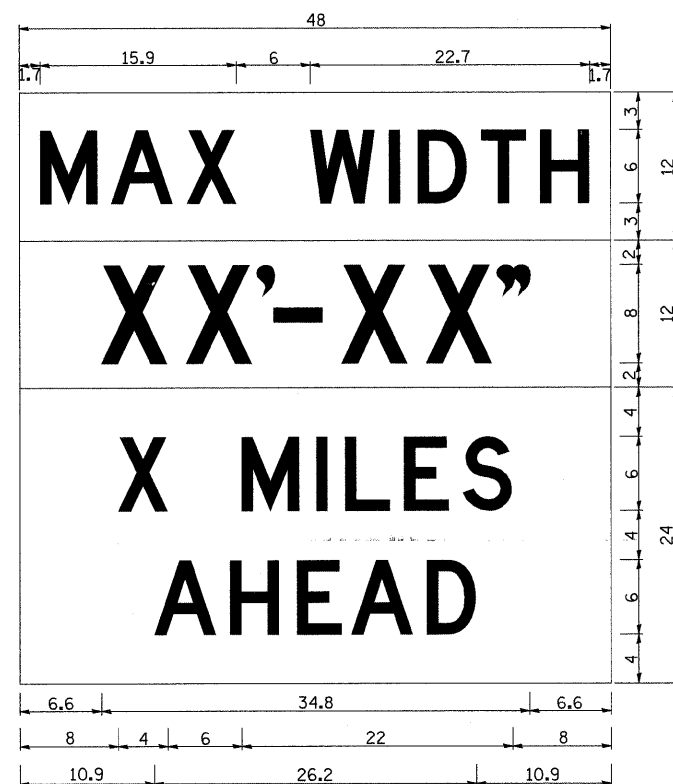


INFORMATIONAL WARNING SIGN (FOR NARROW TRAVEL LANES)



NOTES
 W12-2 - Horizontal Clearance Sign
 48.0" across sides, 1.9" Radius,
 0.8" Border, 0.5" Indent, Black on
 Orange; Standard Arrow Custom
 10.4" X 8.1" 180° Black 11 Inch
 D Series Lettering; Standard Arrow
 Custom 10.4" X 8.1" 0°

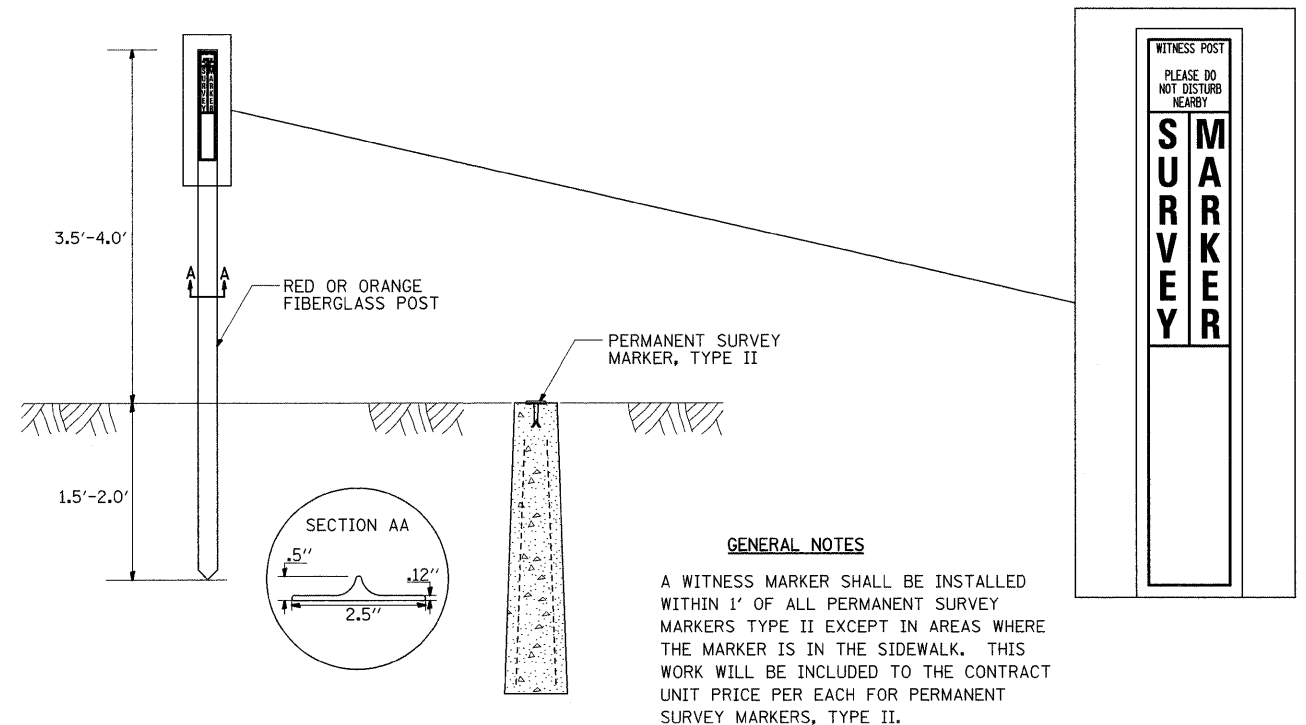


W12-I103 (Width Is 8D);
 No border, Black on White;
 [MAX WIDTH] D;
 No border, Black on Orange;
 [XX'-XX"] D;
 No border, Black on White;
 [X MILES] D; [AHEAD] D;

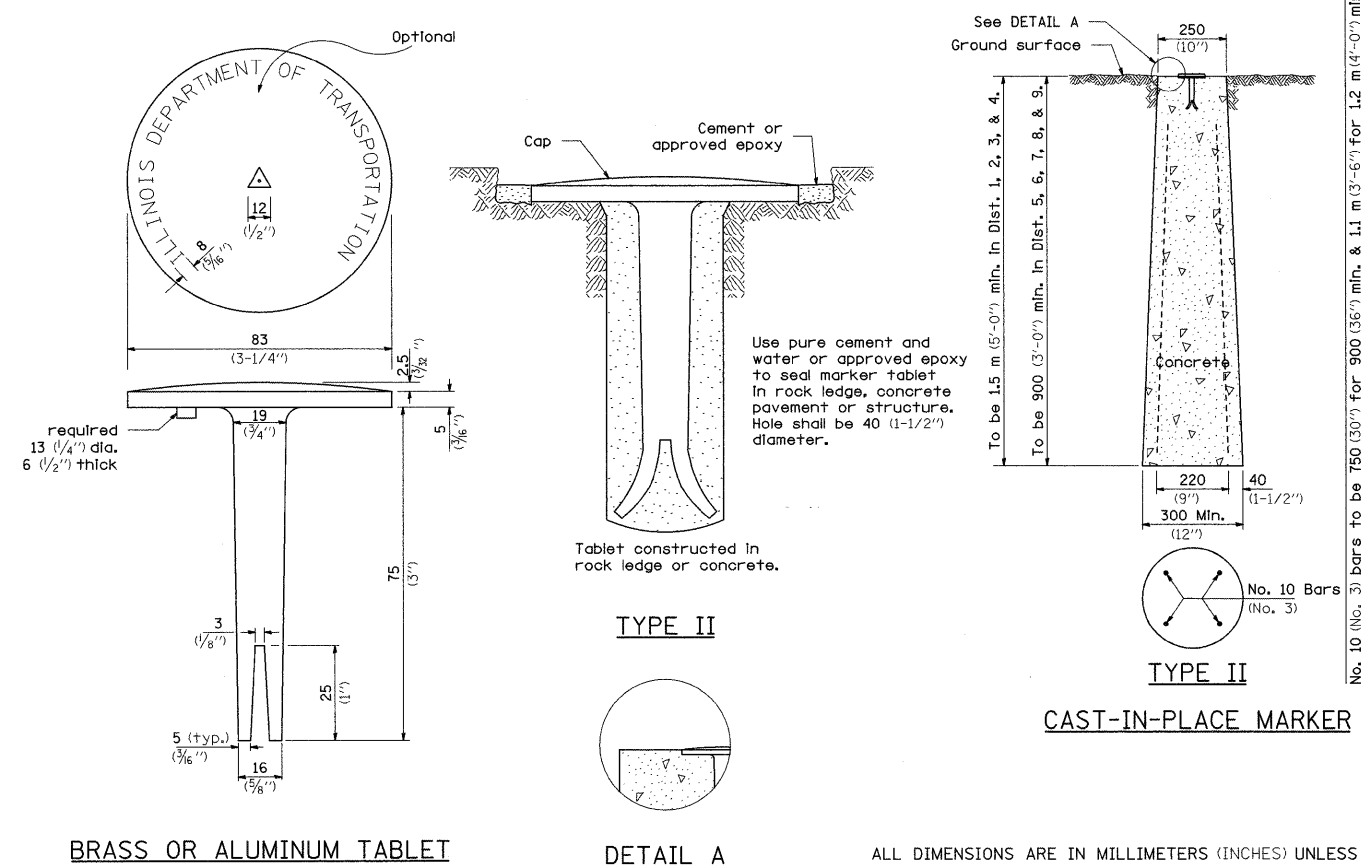
All work to furnish and install these signs shall be included in the cost of the Traffic Control Standards and shall not be paid for separately.

ALL DIMENSIONS ARE IN INCHES UNLESS OTHERWISE NOTED.

WITNESS MARKER FOR PERMANENT SURVEY MARKERS, TYPE II



PERMANENT SURVEY MARKERS, TYPE II



ALL DIMENSIONS ARE IN MILLIMETERS (INCHES) UNLESS OTHERWISE NOTED.

REVISED 10-21-08	REGION 2 / DISTRICT 2 STANDARD	F.A.P. RTE. 585	SECTION 128T-1	COUNTY HENRY	TOTAL SHEETS 35	SHEET NO. 29
REVISED -		SCALE: 50.0000' / IN. SHEET NO. OF SHEETS STA. TO STA.		CONTRACT NO. 64G18		
REVISED -		FED. ROAD DIST. NO. ILLINOIS FED. AID PROJECT				
REVISED -						