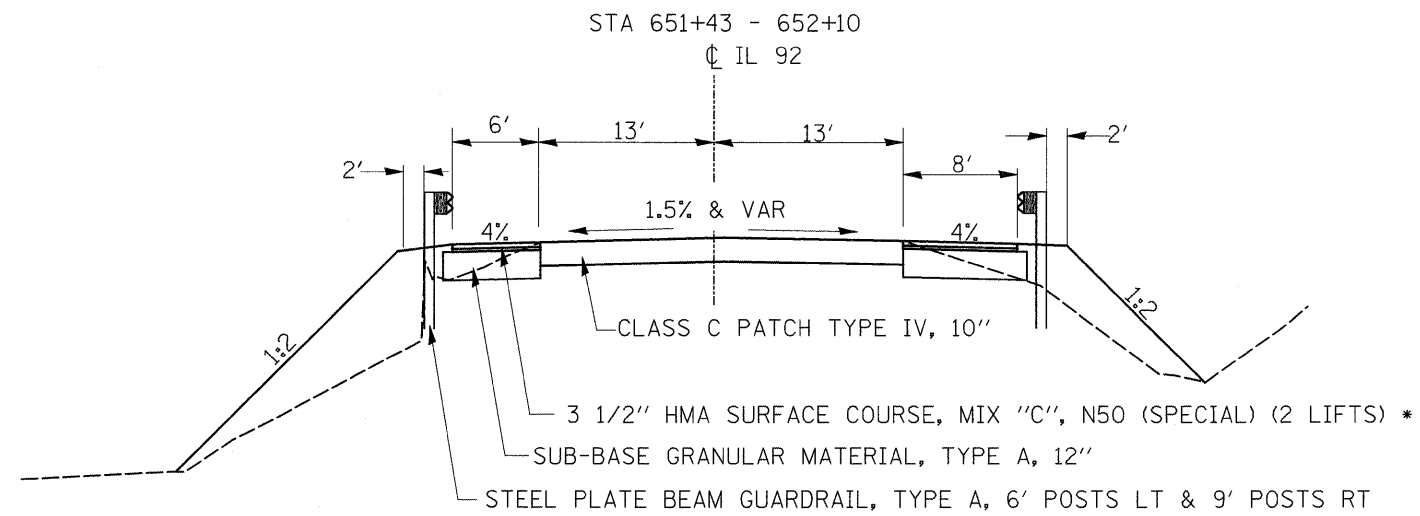
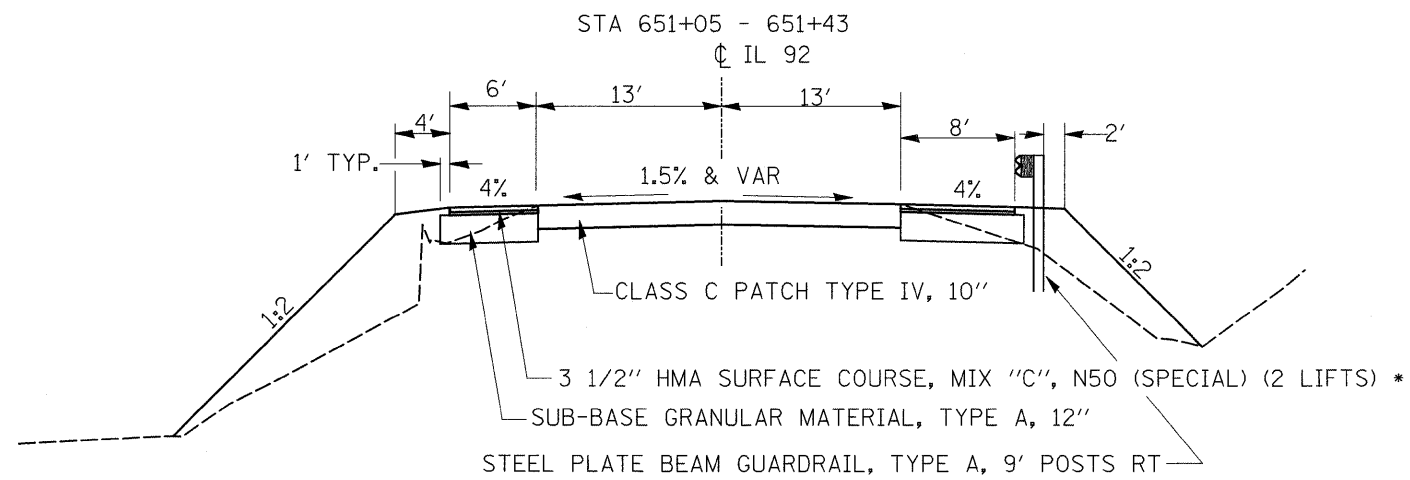
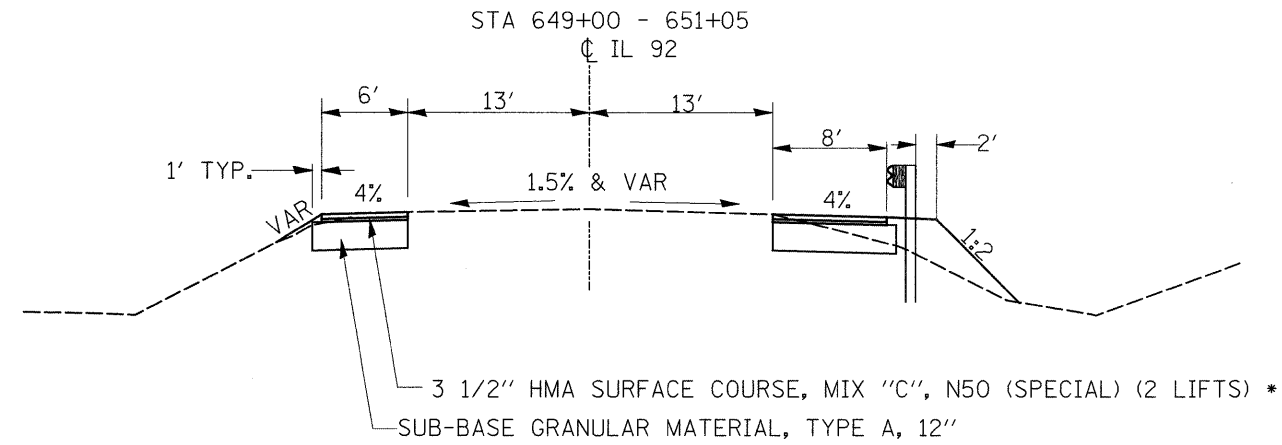


TYPICAL SECTION



* 112 LB /SQ YD/ IN

FILE NAME =	USER NAME = grantpm	DESIGNED -	REVISED -	STATE OF ILLINOIS DEPARTMENT OF TRANSPORTATION	TYPICAL SECTIONS				F.A.P. RTE.	SECTION	COUNTY	TOTAL SHEETS	SHEET NO.		
os:\pw\work\p\p\dot\grantpm\dms36948\0204106-shr-tpg.dgn		DRAWN -	REVISED -		SCALE:	SHEET NO.	OF	SHEETS	STA.	TO STA.	585	128T-1	HENRY	35	7
PLOT SCALE = 50.0000' / IN.		CHECKED -	REVISED -						CONTRACT NO. 64G18		ILLINOIS FED. AID PROJECT				
PLOT DATE = Thu Mar 18 11:35:36 2010		DATE -	REVISED -												