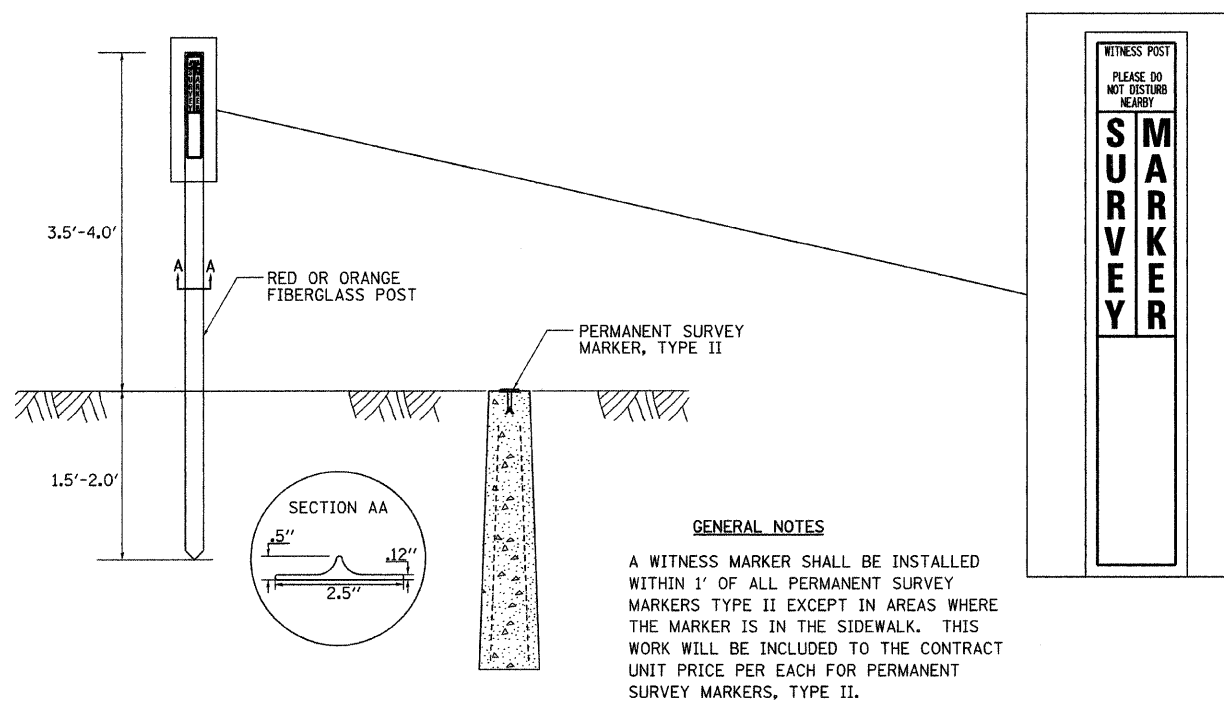
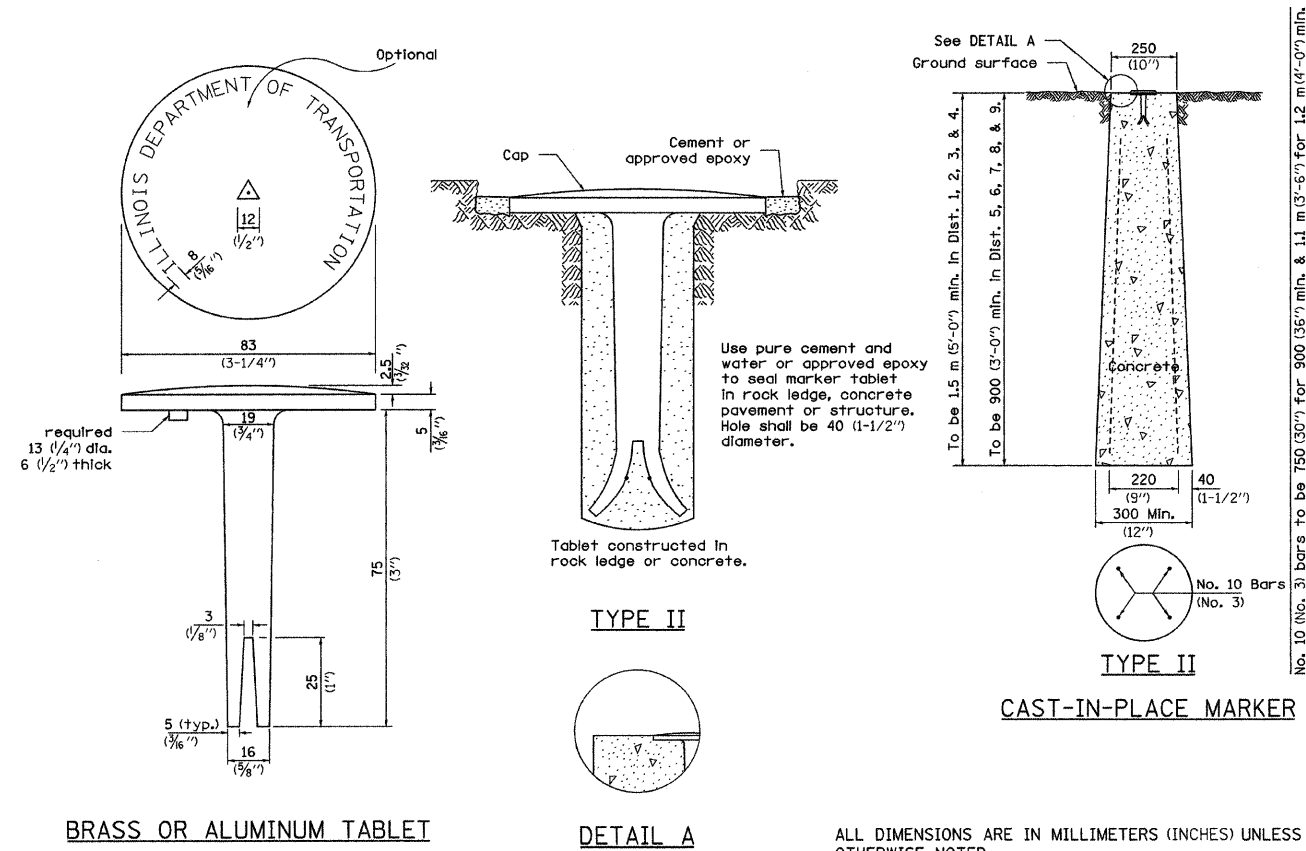


WITNESS MARKER FOR PERMANENT SURVEY MARKERS, TYPE II



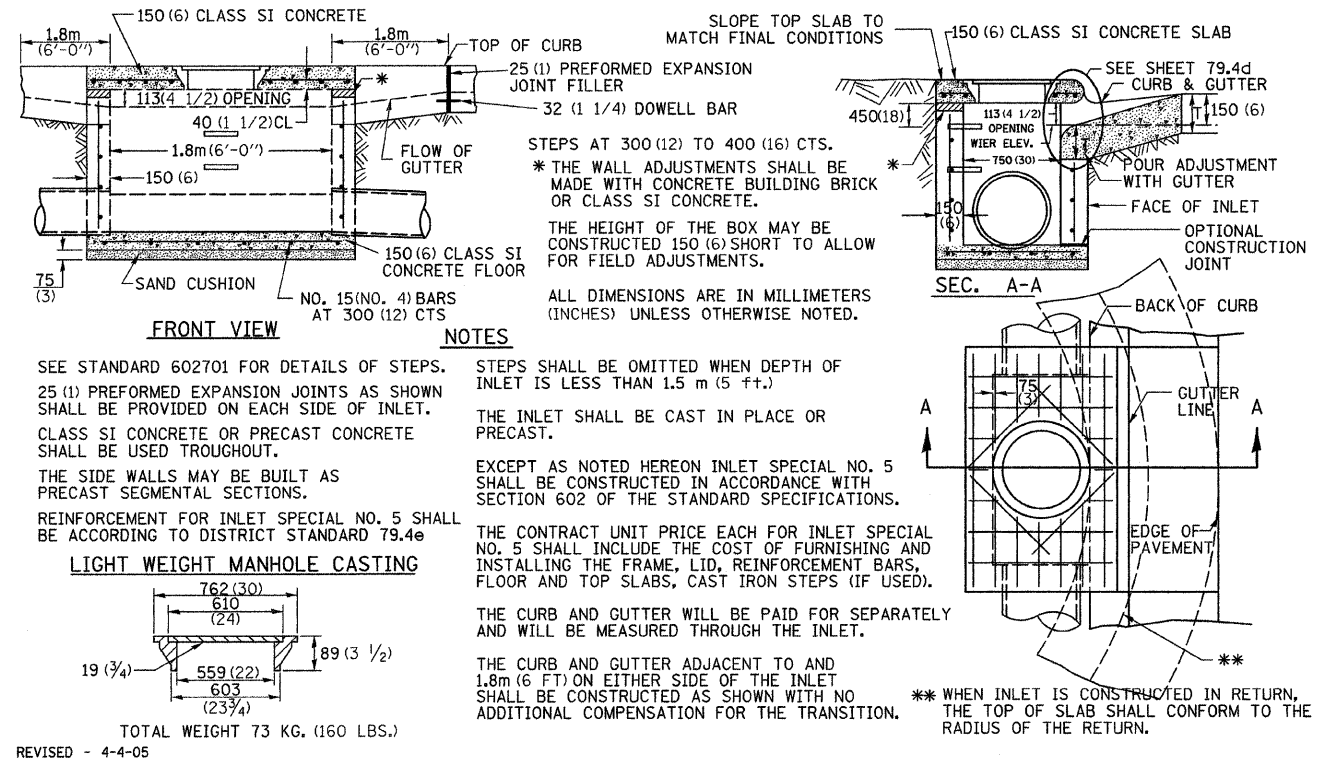
PERMANENT SURVEY MARKERS, TYPE II



REVISD - 10-21-08

WITNESS MARKER & PERMANENT SURVEY MARKERS, TYPE II 66.2

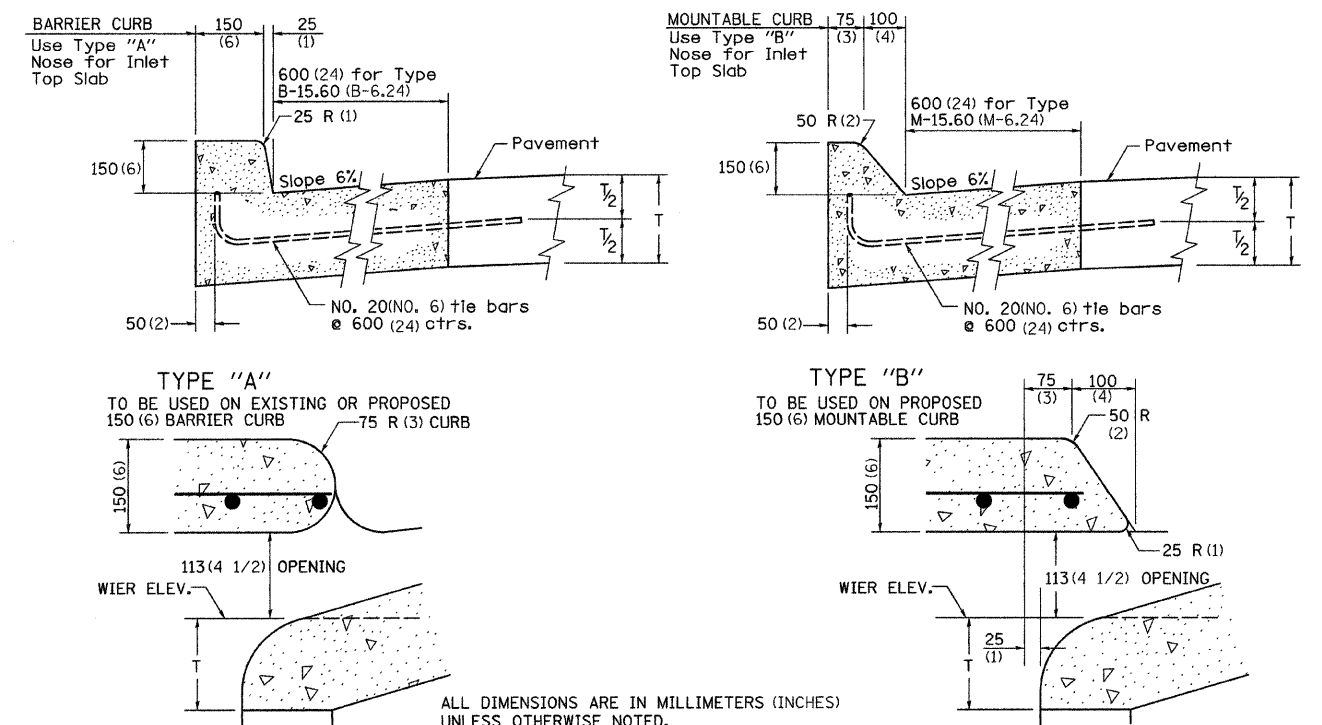
INLET SPECIAL NO. 5



REVISED - 4-4-05

INLET SPECIAL NO. 5 79.4b

NOSE TYPE FOR INLET TOP SLAB



REVISED - 2-14-95

NOSE TYPE FOR INLET TOP SLAB 79.4d

REVISED -	REGION 2 / DISTRICT 2 STANDARD	F.A.P. RTE.	SECTION	COUNTY	TOTAL SHEETS	SHEET NO.
REVISED -		595	(182M-2)	ROCK ISLAND	41	16
REVISED -		SCALE: 50,0000' / IN SHEET NO. 3 OF 5 SHEETS STA. TO STA.	CONTRACT NO. 64E75			
REVISED -		FED. ROAD DIST. NO. ILLINOIS FED. AID PROJECT				

PLOT DATE = 3/9/2010