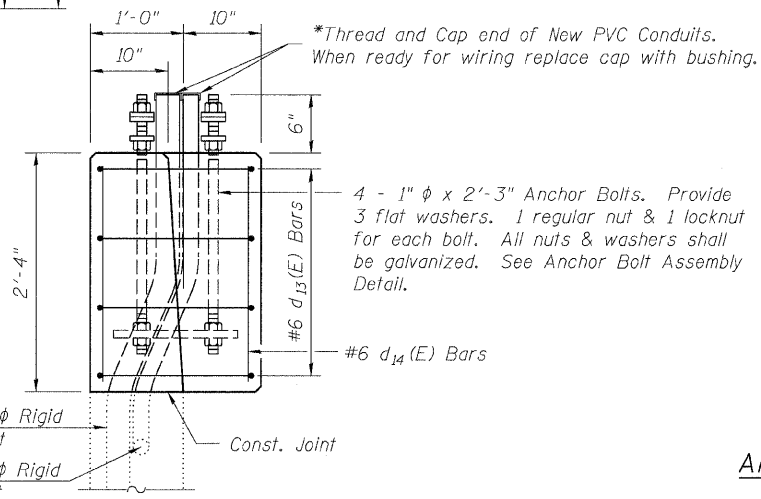


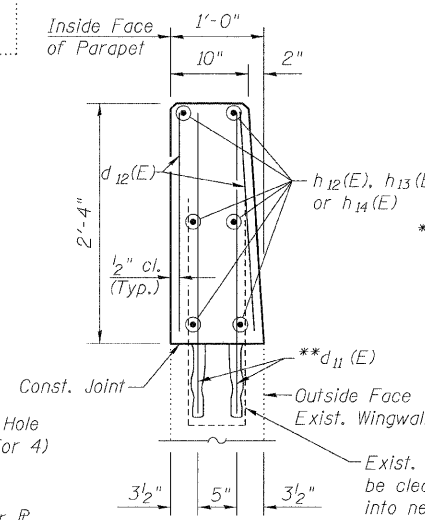
**WEST WINGWALL ELEVATION**  
(Looking East)

**EAST WINGWALL ELEVATION**  
(Looking West)

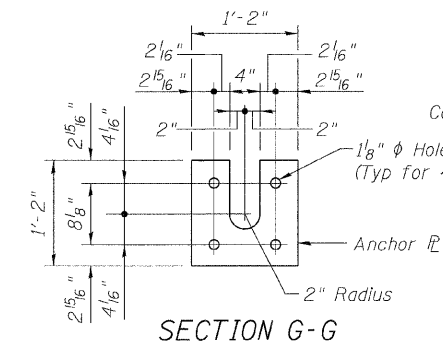
**NOTES**  
Cost of Anchor Bolt and Plate included with Concrete Superstructure.  
\* For Pay Items, See Electrical Plans  
\*\* Epoxy grout d11(E) bars in 9" (Min). Drill holes according to Section 584 of the Standard Specifications.  
\*\*\* 4-#6 d11(E) bars at 12" cts. EF Typical between existing sets of rebar unless noted otherwise.



**ANCHOR BOLT ASSEMBLY DETAIL**  
1" DIA ANCHOR BOLTS  
(ASTM F 1554 Grade 105)



**NORTH ABUTMENT**  
WINGWALL ALTERATIONS  
STRUCTURE NO. 016-2030



**LIN ENGINEERING, LTD.**  
Consulting Engineers  
Chatham, Illinois

Designed By: ESH  
Checked By: MTH  
Date: 7/2009  
File: 016-2030.dgn

SHEET NO. 24  
32 SHEETS

F.A.I. RTE.	SECTION	COUNTY	TOTAL SHEETS	SHEET NO.
57	2222.3B	COOK	77	54
FED. ROAD DIST. NO.		ILLINOIS FED. AID PROJECT		
CONTRACT NO. 62119				