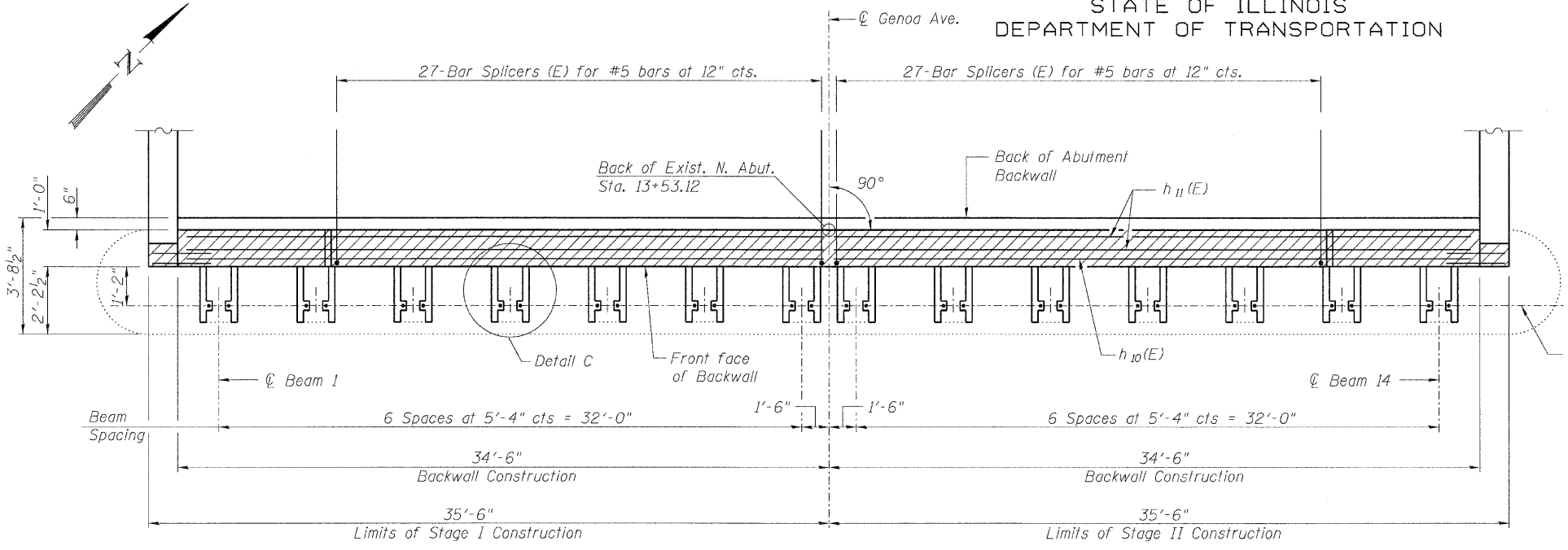
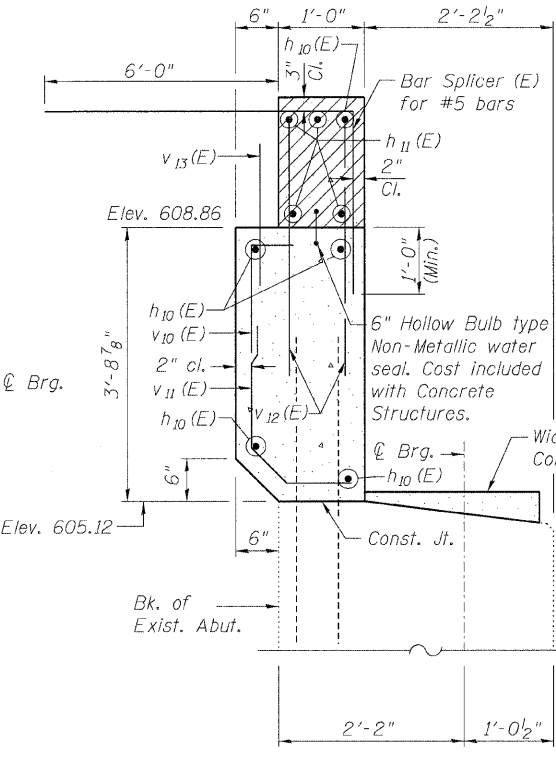


STATE OF ILLINOIS  
DEPARTMENT OF TRANSPORTATION

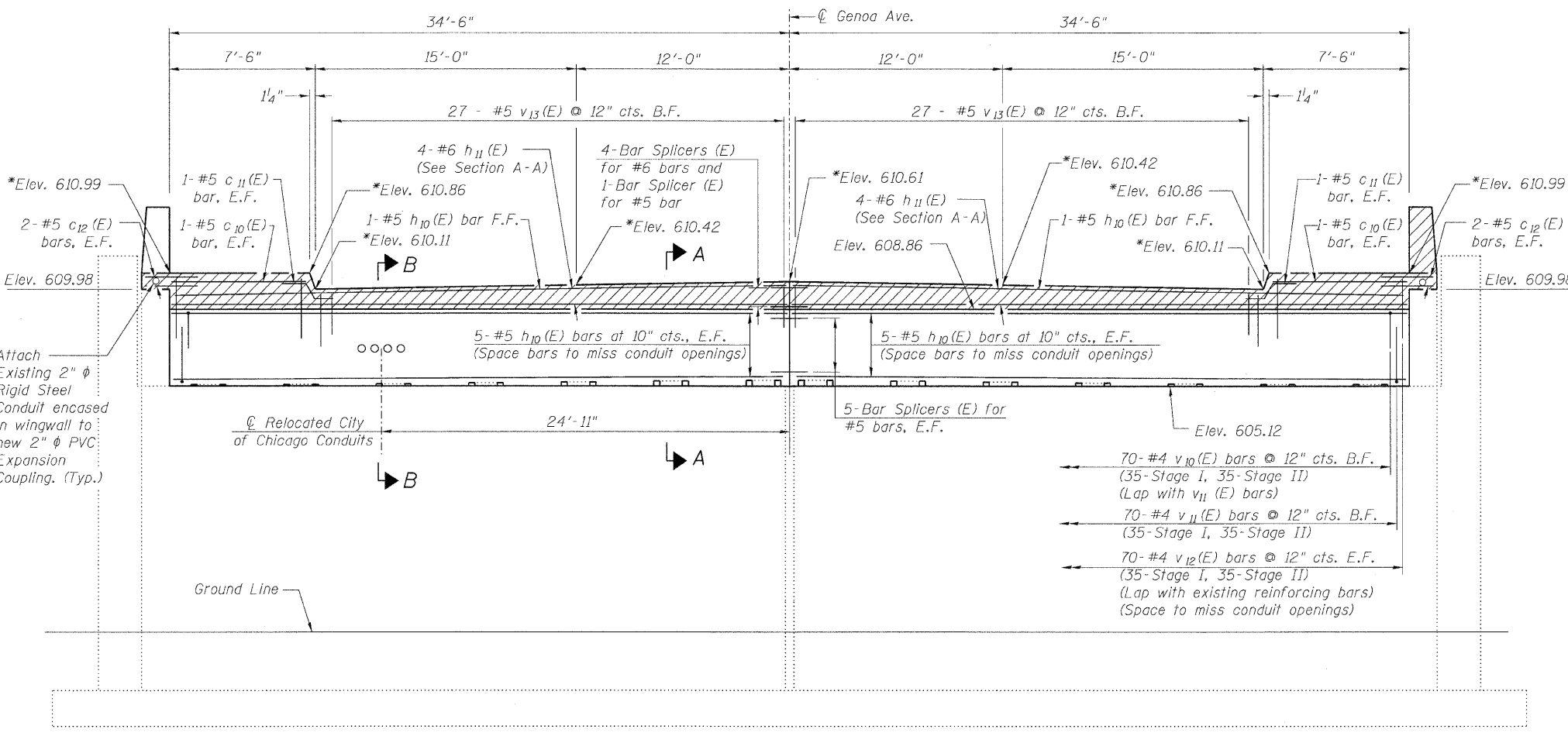


PLAN



SECTION A-A

SECTION B-B



ELEVATION  
(Looking North)

Existing Reinforcement Bars  
Extending into Abutment Backwall  
to remain in place

- Notes:
- Hatched area to be poured after superstructure forms have been removed. Quantity of concrete included with Concrete Superstructure.
  - For Detail C see sheet 25 of 32.
  - Apply Concrete Sealer to front face of backwall, top of existing beam seat and top and sides of widened concrete pedestals.
- \* Elevations are taken at Back of Abutment (Existing)  
\*\* See Electrical Plans for Payment.  
\*\*\* Vertical location of conduit to be set in field.
- E.F. = Each Face  
F.F. = Front Face  
B.F. = Back Face

**MINIMUM BAR LAP**  
#4 bar = 1'-4"  
#5 bar = 1'-8"

NORTH ABUTMENT ALTERATIONS  
STRUCTURE NO. 016-2030

<p>LIN ENGINEERING, LTD. Consulting Engineers Chatham, Illinois</p>	SHEET NO. 23	F.A.I. RTE.	SECTION	COUNTY	TOTAL SHEETS	SHEET NO.
	32 SHEETS	57	2222.3B	COOK	77	53
Designed By: ESH Checked By: MTH Date: 7/2009		Drawn By: ESH File: 016-2030.dgn		CONTRACT NO. 62119		
		FED. ROAD DIST. NO. ILLINOIS FED. AID PROJECT				